













## USER GUIDE



500 to 3000 VA



	<i>User guide</i> _____	2
	<i>Notice d'utilisation</i> _____	13
	<i>Gebruiksaanwijzing</i> _____	24
	<i>Bedienungsanleitung</i> _____	35
	<i>Guía de usuario</i> _____	47
	<i>Manual do Utilizador</i> _____	58
	<i>Εγχειρίδιο χρήσης</i> _____	69
	<i>Руководство пользователя</i> _____	81
	<i>دليل المستخدم</i> _____	93
	<i>Instrukcja obsługi</i> _____	103



# User guide

To ensure this product is correctly installed and used appropriately, we highly advise you to read this user guide very carefully.

## **1. INTRODUCTION**

The X3 EX range consists of high performance UPS units with direct connection to the PC via a USB port. The UPS is Auto-Regulated to provide balanced output power and offers complete protection for your servers and their peripherals in the event of power cuts or fluctuations. If power failure due to power cuts, power surges, or transient over-voltage occurs, the UPS will very rapidly transfer your computer equipment to an alternative power supply. This will allow you to make a backup, close your program(s) and shut the system down correctly. In normal power supply conditions, X3 EX will maintain its battery charge in an on-going way to become completely transparent during all your operations. In other words, this kind of uninterruptible multifunctional power supply will simplify your tasks. You will be able to check its operating status quite easily as well as its charge level using the LCD screen. This high-technology UPS ensures that your computer equipment has a proper and reliable power supply. The main features of the X3 EX range are given below.

## **2. MAIN CHARACTERISTICS**

- A highly-reliable microprocessor control
- Automatic output voltage regulator (AVR)
- Built-in USB communication port
- Input voltage regulation and standardization
- Cold start feature if no power supply
- Off-mode charging
- Green Power Function for energy saving
- Automatic restart during AC power recovery
- Compact size, lightweight
- Phone / modem or network surge protection (RJ45 connectors)

## **3. SAFETY INSTRUCTIONS**

### **IMPORTANT!**

Save this manual properly and read carefully the following instructions before installing the unit. Do not operate this unit before reading through all safety information and operating instructions carefully. Installation and Wiring must be performed in accordance with the local electrical laws and regulations. Installing and connecting UPS system in a way that does not comply with accepted practices releases Infosec Communication from any liability.

#### **▪ Transportation**

1. Please transport the UPS system only in the original package to protect against shock and impact.

#### **▪ Preparation and good disposals of the device:**

1. Condensation may occur if the UPS system is moved directly from cold to warm environment. The UPS system must be absolutely dry before being installed. Please allow at least two hours for the UPS system to acclimate the environment.
2. Do not install the UPS system near water or in moist environments.

3. Do not install the UPS system where it would be exposed to direct sunlight or near heater.
4. Do not block air vents in the housing of UPS. The UPS must be installed in a location with good ventilation. Ensure enough space on each side for ventilation.
5. The mains outlet that supplies the UPS must be located near the UPS and be easily accessible.
6. Install the UPS in a temperature and humidity-controlled room free of conductive interference.
7. Disconnect the UPS from AC power and switch it off before cleaning with a damp cloth (no cleaning products).
8. Do not leave any recipients containing liquid on or near the UPS.
9. Place cables in such a way that no one can step on or trip over them.
10. Prevent no fluids or other foreign objects from inside of the UPS system

▪ **Risk of electric shock:**

1. The UPS unit uses potentially hazardous voltages. Do not attempt to disassemble this equipment as it does not contain accessible components that can be repaired by users, fuse change excepted.
2. Caution -risk of electric shock. The battery circuit is not isolated from the input voltage. Hazardous voltages may occur between the battery terminals and the ground. Before touching, please verify that no voltage is present!
3. The UPS system operates with hazardous voltages. Repairs may be carried out only by qualified maintenance personnel.
4. The utility power outlet must be near the equipment and be easily accessible. To isolate the UPS from AC input and switch it off, remove the plug from the utility power outlet.
5. Do not disconnect the mains cable on the UPS system or the building wiring outlet (earthed shockproof socket outlet) during operations since this would cancel the protective earthing of the UPS system and of all connected loads.
6. The UPS has its own internal power supply (battery). There is a risk that output sockets may still be live after the UPS has been disconnected from the mains power supply.
7. In an emergency situation, switch the UPS to the "Off" position and disconnect the unit from the AC power supply.
8. When the UPS is out of order, please refer to section: "**trouble shooting**" and call the hot line.
9. Equipotential earth bonding must be checked with external battery bank if any

▪ **Connected products:**

1. Combined UPS and connected equipment leakage current should not exceed 3,5 mA.
2. Make sure that the connected load does not exceed UPS capabilities. To ensure improved backup time and longer battery life, we recommend a load equivalent to 1/3 of nominal power.
3. Do not connect appliances or devices which would overload the UPS (e.g. big motor-type equipment)) to the UPS output sockets or terminal.
4. Do not plug the UPS input into its own output socket.
5. Do not plug the UPS into a power strip or surge suppressor.
6. The UPS has been designed for personal computers. It should not be used with electrical or electronic equipment with inductive loads such as motors or fluorescent lights.
7. Do not connect any household appliances such as microwaves, vacuum cleaners, hair dryers or life-support systems to the UPS.
8. Due to excessive consumption, laser printers should not be connected to the UPS.

9. Please replace the fuse only with the same type and amperage in order to avoid fire hazards.
  10. Use only CEE 7/7 plugs
- **About batteries:**
    1. It is recommended that a qualified technician change the battery.
    2. Before carrying out any kind of service or maintenance, disconnect the batteries and verify that no current is present and no hazardous voltage exists in the terminals of high capability capacitor such as BUS-capacitors.
    3. Do not dispose of the battery in a fire as it may explode.
    4. **Do not open or damage the battery!** The electrolyte, fundamentally sulphuric acid, can be toxic and harmful to the skin and eyes. If you come into contact with it, wash thoroughly with water and clean dirtied clothes.
    5. Do not throw the battery into a fire. It may explode. It has to be disposed of separately at the end of its useful life. Refer to local legislation and regulations.

#### **4. STORAGE INSTRUCTIONS**

The UPS should be stored with its battery fully charged. In the event of long-term storage, the batteries should be recharged once every 3 months for 24 hours (by plugging the UPS into the mains power supply and switching "ON") to avoid any deterioration in battery performance.

Do not keep or use the UPS in any of the following environments:

- ✓ Any area with combustible gas, corrosive substance or heavy dust.
- ✓ Areas with excessively high or low temperature (above 40°C or below 0°C) and humidity of more than 90%.
- ✓ Areas exposed to direct sunlight or near sources of heat.
- ✓ Areas subject to major vibration.
- ✓ Outside.

In the event of fire in the vicinity, please use dry-powder extinguishers. The use of liquid extinguishers may present a danger of electric shock.

## **5. AFTER SALES SERVICE**

### **IMPORTANT!**

When calling the After-Sales Department, please have the following information ready, it will be required regardless of the problem: UPS model, serial number and date of purchase. Please provide an accurate description of the problem with the following details: type of equipment powered by the UPS, indicator led status, alarm status, installation and environmental conditions.

You will find the technical information you require on your guarantee or on the identification plate on the back of the unit. If convenient you may enter the details in the following box.

<b>Model</b>	<b>Serial number</b>	<b>Date of purchase</b>
X3 EX ...		

! Please keep the original packaging. It will be required in the event the USP is returned to the After-Sales Department.

- **CE conformity:**



This logo means that this product answers to the EMC and LVD standards (regarding to the regulation associated with the electric equipment voltage and the electromagnetic fields) and comply with RoHS directives.

This is a category C2 UPS product. In a residential environment, this product may cause radio interference, in which case the user may be required to take additional measures (only for 220/230/240 VAC).

### **IMPORTANT**



A UPS belongs to the electronic and electrical equipment category. At the end of its useful life it must be disposed of separately and in an appropriate manner. This symbol is also affixed to the batteries supplied with this device, which means they too have to be taken to the appropriate place at the end of their useful life.

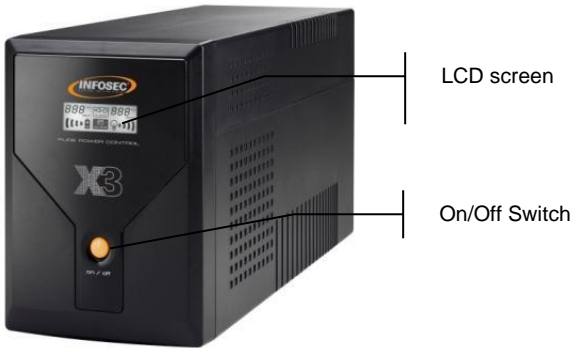
Contact your local recycling or hazardous waste centre for information on proper disposal of the used battery.

## 6. DESCRIPTION

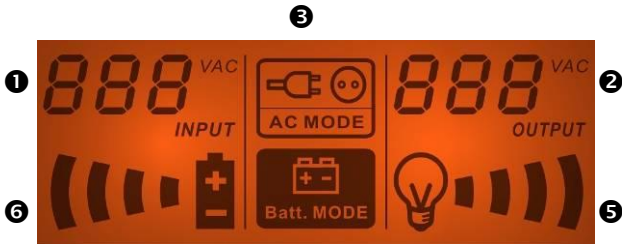
### X3 EX LCD USB - 500/650/800/1000 - FRONT PANEL



### X3 EX LCD USB - 1200/1600/2000/3000 - FRONT PANEL

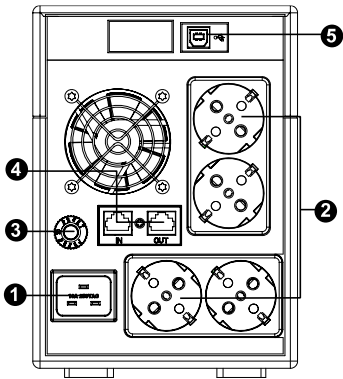
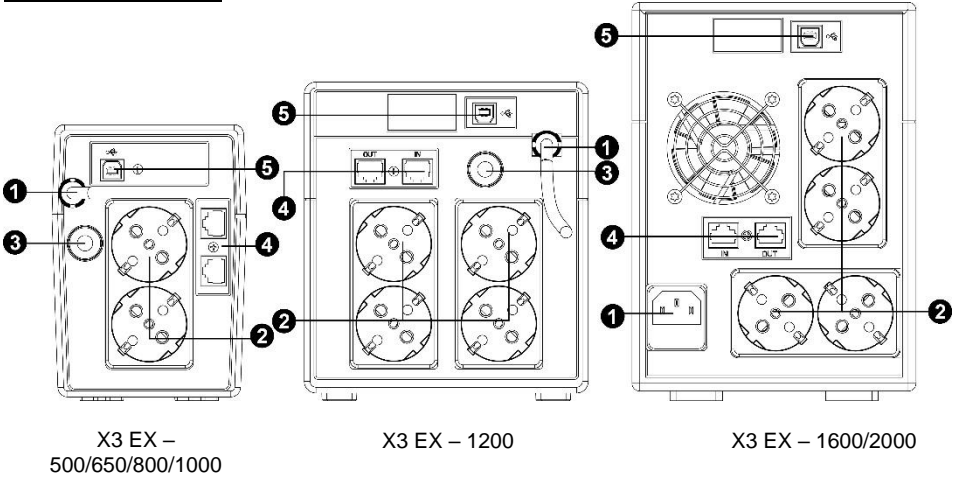


### LCD screen



- 1 - Input voltage
- 2 - Output voltage
- 3 - AC mode indicator – flashing indicates voltage regulation
- 4 - Battery mode indicator
- 5 - Load level indicator – flashing indicates overload
- 6 - Battery capacity indicator – flashing indicates low battery

## BACK PANELS



- 1 - AC input
- 2 - Protected UPS outlets\*
- 3 - Input Breaker
- 4 - RJ11/45 protected outlets
- 5 - USB communication port

*\*To use with FR/Schuko CEE 7-7 plugs*

## **7. INSTALLATION AND OPERATION**

### **1. Checking**

When you receive your equipment, open the packaging and check that your UPS has not been damaged. Packaging includes:

**X3 EX 500/650/800/1000:** UPS unit and a user guide.

**X3 EX 1200:** UPS unit and a user guide.

**X3 EX 1600/2000:** UPS unit and a user guide.

**X3 EX 3000:** UPS unit, a user guide, input cable.

### **2. Charging the batteries**

This unit is shipped from the factory with its internal battery fully charged, however, some charge may be lost during shipping and the battery should be recharged prior to use. Plug the unit into an appropriate power supply and allow the UPS to charge fully by leaving it plugged-in, with no load, for at least 8 hours.

The UPS will automatically recharge its own batteries whenever the switch is in the "ON" position. You may use the UPS immediately, however the back-up power capacity may be lower than the nominal value required.

### **3. Placement & storage conditions**

The UPS has been designed to operate in a protected environment, at temperatures between 0°C and 40°C and at a humidity level ranging between 0% and 90% (no condensation).

Do not obstruct the ventilation slots. Install the unit in an environment which is free from dust, chemical vapours and conductors. Moreover, in order to avoid any interference, keep the UPS at least 20cm away from the CPU (central processing unit).

### **4. Connection**

Check the identification plate at the back of the UPS to make sure that the power supply is compatible with network voltage and that the device is powerful enough to protect the given load. Plug the power cable of the UPS into a 2-pole, earthed outlet. Then, connect computer-related devices to the back of the UPS.

### **5. On/Off**

To turn the UPS unit on, lightly press the power switch. To turn it off, press the power switch again. Make sure that the power switch is kept in the "ON" position, otherwise the UPS will be disabled and your equipment unprotected in the event of power failure.

**Note:** *For maintenance purposes, please turn the UPS on before the PC and other loads, and turn it off after the connected loads are turned off.*

### **6. DC Start**

X3 EX units are equipped with an integrated DC start function. To start the UPS in the absence of a power supply and with a full battery, simply press the button.

### **7. Power Saving Function**

X3 EX range is equipped with a Power Saving Function. If no load connects to the UPS, it will automatically shut down after 5 minutes to save energy during a power failure. The Power switch must be kept in the 'ON' position, otherwise the UPS will be disabled and your equipment will not be protected during a power failure.

### **8. Connect Modem/Phone/Network for surge protection**

Connect a single modem/phone line to a surge protected "IN" outlet on the back panel of the UPS unit. Connect the "OUT" outlet to the computer with another phone line cable.



**Caution:** The telephone line lightning arrester could be rendered inoperable if improperly installed. This surge protection device is for indoor use only. Never install telephone wiring during a lightning storm.

**Note:** This connection is optional.

## **8. COMPUTER INTERFACE**

To prevent an abrupt computer system shutdown, connect a USB cable to your computer. Then you can install and use the automatic shutdown software (Free download from web site).

The USB communication port at the back of the UPS enables the computer to directly control UPS status.

The main functions are as follows:

- Transmission of a visual alarm in event of power failure
- Automatic file closure prior to the battery going flat
- Computer & UPS shutdown

For more information, go to the website: [www.infosec-ups.com](http://www.infosec-ups.com)

## **9. BATTERY**

The battery is the only UPS component which is not in permanent use. It has a useful life of approximately 3 to 5 years. However, frequent major discharges or exposure to temperatures over 20°C will shorten its life span. We therefore recommend that users recharge the battery once every 3 months when the unit is not in use in order to compensate for natural discharging. UPS backup time will depend on the powered load, as well as the age and condition of the batteries.

### ***WARNING!***

Batteries should always be replaced by qualified technicians. Batteries have a very high short circuit current: **connection errors could cause electric arcs resulting in serious burns.**

## **10. TROUBLE SHOOTING**

Should the UPS fail to function correctly we recommend you perform the following tests before calling the Hot Line.

### **Check list:**

- Is the main switch in the "ON" position?
- Is the UPS plugged into the mains power supply?
- Does the power supply fall within specified unit values?
- Has the fuse gone in the mains plug?
- Is the UPS overloaded?
- Is the battery flat or defective?

<b>PROBLEM</b>	<b>POSSIBLE CAUSE</b>	<b>SOLUTIONS</b>
No words display on front panel.	Low battery.	Charge battery for up to 6 hours.
	Faulty battery.	Replace with the same type of battery.
	UPS is not turned on.	

		Press the power switch again to turn on the UPS.
Alarm continuously sounding when mains is normal.	UPS overload.	Check that the load matches the UPS capability stipulated in the specifications.
In the event of power failure, backup time is shortened.	UPS overload.	Remove some non-critical load.
	Battery voltage too low.	Charge battery up to 6 hours.
	Battery defect due to high temperature operating environment, or improper use of battery.	Replace with the same type of battery.
Mains normal but the unit is on battery mode	Loose power cord.	Connect the power cord properly.

## 11. TECHNICAL SPECIFICATIONS

	X3 EX-500	X3 EX-650	X3 EX-800	X3 EX-1000
<b>TECHNOLOGY</b>				
<b>Technology</b>	Line Interactive with AVR (microprocessor controlled)			
<b>Power</b>	500 VA	650 VA	800 VA	1000 VA
<b>Output form</b>	Modified Sinewave			
<b>Protection</b>	Discharge / overcharge / overload + phone/fax/modem line			
<b>Power factor</b>	0,5	0,55	0,6	0,5
<b>PHYSICAL CHARACTERISTICS</b>				
<b>Dimensions</b> DxWxH (mm)	287 x 100 x 142			
<b>Weight</b> kg	3,95	4,25	4,9	5,2
<b>Output connectors</b>	2 Schuko/FR protected UPS outlets 1 surge protected RJ11/45 (In/Out) 1 USB port			
<b>INPUT TECHNICAL CHARACTERISTICS</b>				
<b>Voltage</b>	220/230/240 V			
<b>Voltage range</b>	162-290 VAC			
<b>OUTPUT TECHNICAL CHARACTERISTICS (battery mode)</b>				
<b>Voltage</b>	220/230/240 V			
<b>Voltage regulation</b>	± 10 %			
<b>Frequency</b>	50 or 60 Hz ± 1 Hz (auto frequency)			
<b>BATTERY</b>				
<b>Battery number &amp; type</b>	12V/7AH*1	12V/7AH*1	12V/9AH*1	12V/9AH*1
<b>Backup time (1 PC load)</b>	10 min.	12 min.	15 min.	15 min.
<b>Recharging time</b>	10 hours to 90% after complete discharge			
<b>ENVIRONMENT</b>				
<b>Ideal Environment</b>	0-40°C, 0-90% of relative humidity (without condensation)			
<b>NORMS</b>				
<b>Security / Standard</b>	CE RoHS			



### X3 EX 500 / 650 / 800 / 1000:

Free insurance for the connected equipment up to 120.000 € value. See conditions and register within 10 days after purchase on the web site: [www.infosec-ups.com](http://www.infosec-ups.com)

	<b>X3 EX-1200</b>	<b>X3 EX-1600</b>	<b>X3 EX-2000</b>	<b>X3 EX-3000</b>
<b>TECHNOLOGY</b>				
<b>Technology</b>	Line Interactive with AVR (microprocessor controlled)			
<b>Power</b>	1200 VA	1600 VA	2000 VA	3000 VA
<b>Output form</b>	Modified Sinewave			
<b>Protection</b>	Discharge / overcharge / overload + phone/fax/modem line			
<b>Power factor</b>	0,5	0,55	0,6	0,6
<b>PHYSICAL CHARACTERISTICS</b>				
<b>Dimensions D x W x H (mm)</b>	350 x 146 x 160	397 x 145 x 205		
<b>Weight kg</b>	8	11,1	12,5	15,2
<b>Output connectors</b>	4 Schuko/FR protected UPS outlets, 1 surge protected RJ11/45 (In/Out) 1 USB port	4 Schuko/FR UPS outlets, 1 surge protected RJ11/45 (In/Out) 1 USB port		
<b>INPUT TECHNICAL CHARACTERISTICS</b>				
<b>Voltage</b>	220/230/240 V			
<b>Voltage range</b>	162-290 VAC			
<b>OUTPUT TECHNICAL CHARACTERISTICS (battery mode)</b>				
<b>Voltage</b>	220/230/240 V			
<b>Voltage regulation</b>	± 10 %			
<b>Frequency</b>	50 or 60 Hz ± 1 Hz (auto frequency)			
<b>BATTERY</b>				
<b>Battery number &amp; type</b>	12V/7AH*2	12V/9AH*2	12V/9AH*2	12V/10AH*2
<b>Backup time (1 PC load)</b>	30 min.	40 min.	50 min.	1h15 min.
<b>Recharging time</b>	10 hours to 90% after complete discharge			
<b>ENVIRONMENT</b>				
<b>Ideal Environment</b>	0-40°C, 0-90% of relative humidity (without condensation)			
<b>NORMS</b>				
<b>Security / Standard</b>	CE RoHS			



### **X3 EX 1200/1600/2000/3000:**

Free insurance for the connected equipment up to 150.000 € value. See conditions and register within 10 days after purchase on the web site: [www.infosec-ups.com](http://www.infosec-ups.com).

# Notice d'utilisation



Afin d'assurer une installation correcte et une utilisation appropriée de ce produit, nous vous conseillons de lire attentivement cette notice.

## **1. INTRODUCTION**

La gamme X3 EX est composée d'onduleurs de haute performance avec connexion directe à votre PC via un port USB.

L'onduleur fournit un courant de sortie stabilisé grâce à son Auto Régulation et offre ainsi une protection complète à vos serveurs et leurs périphériques aussi bien en cas de variation du courant que de coupure ou microcoupure.

En cas de défaut de l'alimentation tel qu'une coupure, un pic de tension ou une surtension transitoire, l'onduleur transfèrera rapidement vos équipements informatiques sur une source d'alimentation alternative. Celle-ci vous permettra de sauvegarder vos données, de sortir du programme et de fermer correctement votre système informatique. Dans des conditions d'alimentation normales appropriées à vos équipements, X3 EX maintient ses batteries en charge et devient totalement transparent pour toutes vos opérations. En d'autres termes, cette alimentation sans interruption multifonction vous simplifiera la vie.

Vous pourrez facilement constater ses états de fonctionnement ainsi que son niveau de charge au travers d'un écran LCD. Cet onduleur de haute technologie garantit à votre informatique une alimentation propre et fiable. Les principales fonctions de la gamme X3 EX sont détaillées ci-après.

## **2. CARACTERISTIQUES PRINCIPALES**

- Contrôlé par microprocesseur pour garantir une haute fiabilité
- Equipé de l'AVR (régulation automatique de tension)
- Port de communication USB intégré
- Il régule et stabilise la tension d'entrée
- Démarrage à froid
- Charge de la batterie automatique onduleur éteint
- Fonction économie d'énergie
- Redémarrage automatique au retour secteur
- Faible encombrement, faible poids
- Protection ligne téléphone / fax / modem (connecteurs RJ11/45)

## **3. CONSIGNES DE SÉCURITÉ**

### **IMPORTANT !**

Conservez ce manuel dans un endroit sûr et prenez complète connaissance des instructions suivantes avant d'installer l'unité. N'utilisez pas cette unité avant d'avoir complètement pris connaissance de toutes les consignes de sécurité et instructions d'utilisation. L'installation et le câblage doivent être exécutés conformément aux lois et règlements locaux. L'installation et le raccordement de l'onduleur d'une manière non conforme aux pratiques acceptées dégagent Infosec Communication de toute responsabilité.

### **Transport**

1. Ne transporter l'onduleur que dans son emballage d'origine afin de le protéger contre les chocs et les impacts.

▪ **Préparation et mise en place correcte du dispositif :**

1. Une condensation peut se produire lorsque l'ASI passe directement d'un environnement froid à un environnement chaud. Il doit être absolument sec avant d'être installé. Veuillez attendre au moins deux heures pour permettre à l'onduleur de s'acclimater à l'environnement.
2. Ne pas installer l'onduleur dans des environnements humides ou près d'eaux courantes.
3. Ne pas installer l'onduleur dans un endroit où il sera exposé au rayonnement direct du soleil ou près d'un appareil de chauffage.
4. Ne pas obturer les grilles de ventilation de l'onduleur. Il doit être installé dans un local bien ventilé. Laisser suffisamment d'espace de chaque côté pour l'aération.
5. La prise d'alimentation réseau sur laquelle est branché l'onduleur doit se trouver près de l'onduleur et doit être facile d'accès.
6. Installer l'ASI dans un local à température et degré hygrométrique contrôlés et libre de toute interférence de transmission.
7. Déconnecter l'onduleur de l'alimentation et l'arrêter avant de le nettoyer avec un chiffon humide (ne pas utiliser de produits de nettoyage).
8. Ne laisser aucun récipient contenant un liquide sur l'onduleur ou près de lui.
9. Placer les câbles de telle façon qu'ils ne puissent faire trébucher personne.
10. Protéger le système l'onduleur contre toute entrée de fluides ou de corps étrangers.

▪ **Risque d'électrocution :**

1. Des tensions dangereuses existent à l'intérieur de l'onduleur. Ne pas essayer de démonter l'onduleur car aucun de ses composants ne peut être réparé par les utilisateurs, exception faite pour les fusibles.
2. Attention - risque d'électrocution. Le circuit de batterie n'est pas isolé de la tension d'entrée. Des tensions dangereuses peuvent exister entre les bornes de batterie et la terre. Avant de les toucher, vérifier qu'aucune tension n'est présente !
3. Les réparations ne doivent être effectuées que par du personnel d'entretien qualifié.
4. La prise d'alimentation secteur doit être proche de l'appareil et facilement accessible. Pour isoler l'onduleur de l'alimentation et l'arrêter, retirer la prise de l'alimentation secteur.
5. Pendant l'utilisation, ne pas déconnecter le câble secteur sur l'onduleur ou la prise du circuit électrique des locaux (prise de courant antichoc reliée à la terre), car cela éliminerait la protection terre du système ASI et de toutes les charges connectées.
6. L'onduleur comporte sa propre source interne d'énergie (batteries). Les prises de sortie peuvent être sous tension même après que l'onduleur ait été déconnecté de l'alimentation électrique du réseau.
7. En cas d'urgence, arrêter l'onduleur en plaçant le commutateur sur la position « Off », et en déconnectant l'appareil de la source d'alimentation.
8. Si l'onduleur est en panne, voir la section : « **Dépannage** » et appeler la hotline.
9. Les liaisons équipotentielles de terre doivent être vérifiées avec le bloc de batteries s'il y en a un.

▪ **Appareils connectés :**

1. La somme du courant de fuite de l'onduleur et de l'équipement connecté ne doit pas excéder 3,5 mA.
2. S'assurer que la charge alimentée n'est pas supérieure à la capacité de l'onduleur. Afin d'obtenir une durée de secours plus importante et une plus longue durée de vie des batteries, nous recommandons de limiter la charge à 1/3 de la puissance nominale.
3. Ne pas connecter sur les prises ou bornes de sortie de l'onduleur des appareils ou des dispositifs qui le surchargerait (un puissant moteur, par exemple).
4. Ne pas raccorder l'entrée de l'onduleur avec sa sortie.

5. Ne pas connecter une multiprise ou un parasurtenseur à l'onduleur.
6. L'onduleur est conçu pour des ordinateurs personnels. Il ne doit pas être utilisé avec des appareils électriques ou électroniques comportant des charges inductives telles que moteurs ou lampes fluorescentes.
7. Ne pas connecter l'onduleur à des appareils électroménagers tels que micro-ondes, aspirateurs, séchoirs à cheveux ou équipements de survie.
8. Les imprimantes laser, en raison de leur consommation excessive, ne doivent pas être connectées à l'onduleur.
9. Afin d'éviter tout risque d'incendie, ne remplacer le fusible qu'avec un fusible du même type et de même ampérage.

▪ **À propos des batteries :**

1. Il est recommandé de ne faire changer les batteries que par un technicien qualifié.
2. Avant de procéder à une révision quelconque ou à l'entretien, déconnecter les batteries et vérifier qu'il n'y a aucun courant ou tension dangereuse sur les bornes des condensateurs de haute capacité tels que les condensateurs BUS.
3. Ne pas jeter les batteries au feu car elles pourraient exploser.
4. **Ne pas ouvrir ni endommager les batteries !** Elles contiennent un électrolyte, à base d'acide sulfurique, qui peut être toxique et nocif pour la peau et les yeux. Lavez abondamment à l'eau les parties de votre corps qui ont été en contact avec l'électrolyte et lavez les vêtements souillés.
5. Ne pas jeter les batteries au feu. Elles peuvent exploser. À la fin de leur durée de vie utile, elles doivent être rejetées séparément. Conformez-vous aux lois et règlements locaux.
6. L'onduleur contient une ou deux batteries de forte capacité. Afin d'éviter tout danger d'électrocution, n'ouvrez aucune batterie. Prenez contact avec le distributeur si une batterie doit être révisée ou remplacée.
7. L'intervention sur une batterie doit être effectuée ou supervisée par du personnel compétent prenant les précautions nécessaires. Ne pas laisser les personnes non autorisées travailler sur les batteries.
8. Une batterie peut provoquer des commotions électriques et provoquer des courts-circuits. Les précautions suivantes doivent être prises par le technicien qualifié :
  - ✓ Ne pas porter de bagues, montres et autres objets métalliques.
  - ✓ Utilisez des outils avec manche isolé.
  - ✓ Déconnecter l'alimentation et les prises de sortie avant de débrancher ou de brancher les bornes de batterie.
  - ✓ Les batteries doivent être remplacées par des batteries du même type, au plomb et scellées.

#### **4. INSTRUCTIONS DE STOCKAGE**

L'onduleur doit être stocké avec une batterie totalement rechargée. En cas de non-utilisation prolongée, les batteries de l'onduleur devraient être rechargées tous les 3 mois (simplement en branchant l'onduleur sur le secteur pendant 24 heures et en le mettant sous tension).

Il est recommandé d'installer et d'utiliser l'onduleur dans un environnement adapté suivant les recommandations suivantes :

- ✓ L'endroit doit être ventilé et exempt de poussière, de vapeurs chimiques et de contaminants conducteurs.
- ✓ La température de stockage doit impérativement être inférieure à 40°C et supérieure à 0°C.

- ✓ Le taux d'humidité doit être faible et ne pas dépasser 90%.
- ✓ Eviter toute exposition directe aux rayonnements solaires ou à toute autre source de chaleur.
- ✓ L'onduleur ne doit être utilisé qu'en intérieur

En cas d'incendie, merci d'utiliser un extincteur à poudre sèche pour éviter tout danger de choc électrique.

## **5. SERVICE APRES-VENTE**

### **IMPORTANT !**

Lors d'un appel au Service Après Vente, nous vous recommandons de transmettre les informations suivantes qui vous seront dans tous les cas demandées : le modèle de l'onduleur, le numéro de série, la date d'achat et le type de matériel alimenté par l'onduleur, ainsi qu'une description précise du problème comprenant : état des voyants, état de l'alarme, conditions d'installations et d'environnement.

Ces renseignements sont notés sur le bon de garantie ou inscrits sur la plaque signalétique à l'arrière de l'appareil. Vous pouvez également les reporter dans le cadre ci-dessous.

Modèle	Numéro de série	Date d'achat
X3 EX...		

! Veuillez conserver l'emballage d'origine, il sera indispensable pour un éventuel retour de votre onduleur en nos locaux.

#### ▪ Conformité CE :



Ce logo signifie que ce produit est conforme aux normes CEM et LVD (normes relatives aux règlements sur les tensions électriques et les champs électromagnétiques) et aux directives RoHS.

Il s'agit d'un onduleur de catégorie C2. Dans un environnement correspondant à un usage domestique, ce produit peut être la source de perturbations radioélectriques, auquel cas il peut être demandé à l'utilisateur de prendre des mesures supplémentaires (pour 220/230/240 VAC uniquement).

### **IMPORTANT**



Un onduleur fait partie de la catégorie des équipements électriques et électroniques. À la fin de leur durée de vie utile, ils doivent être rebutés séparément et de manière appropriée.

Ce symbole est également placé sur les batteries fournies avec cet appareil, ce qui indique qu'elles doivent être elles aussi placées dans les endroits appropriés à la fin de leur vie utile.

Prendre contact avec le centre local de recyclage et de rejet des déchets dangereux pour plus d'informations sur le rejet des batteries usagées.

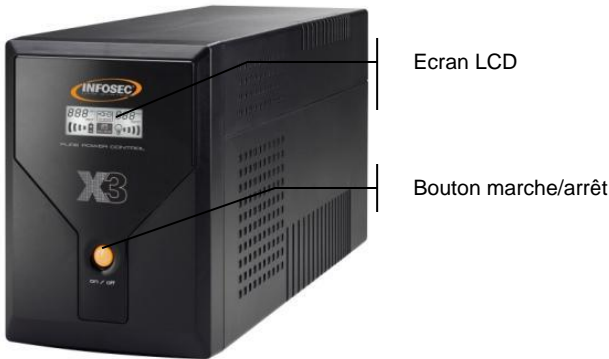


## 6. DESCRIPTION

### X3 EX-500/650/800/1000 - FACE AVANT



### X3 EX-1200/1600/2000/3000 - FACE AVANT

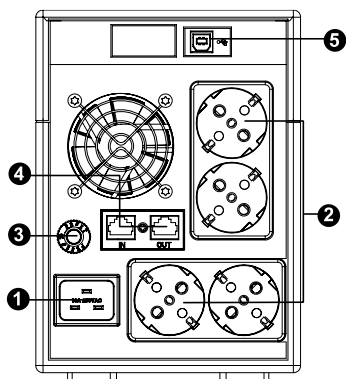
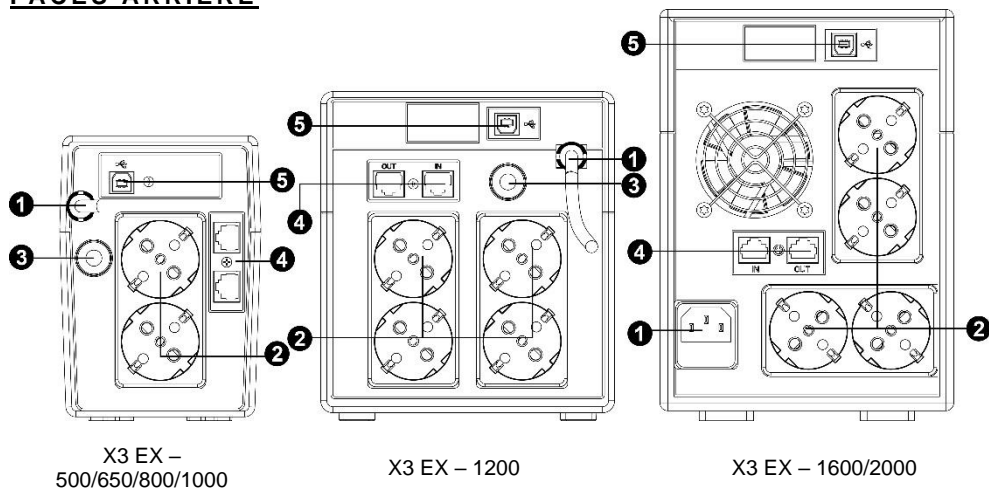


### Ecran LCD



- 1 – Tension en entrée
- 2 – Tension en sortie
- 3 – Indicateur alimentation normale – clignote en cas de régulation de tension
- 4 – Indicateur mode batterie
- 5 – Indicateur niveau de charge – clignote en cas de surcharge
- 6 – Indicateur de capacité de batterie – clignote en cas de batterie faible

## FACES ARRIERE



X3 EX – 3000

- 1 – Cordon / prise d'alimentation
- 2 – Prises protégées\*
- 3 – Fusible d'alimentation
- 4 – Connecteurs RJ11/45
- 5 – Port de communication USB

\* Pour utilisation avec prises FR/  
SCHUKO CEE 7-7

## **7. INSTALLATION ET MISE EN SERVICE**

### **1. Contrôle**

Dès réception du matériel, ouvrir l'emballage et vérifier le parfait état de l'onduleur. Le packaging contient :

**X3 EX 500/650/800/1000:** 1 onduleur et un manuel d'utilisation.

**X3 EX 1200:** 1 onduleur et un manuel d'utilisation.

**X3 EX 1600/2000:** 1 onduleur et un manuel d'utilisation.

**X3 EX 3000:** 1 onduleur, un manuel d'utilisation, un câble d'alimentation

### **2. Chargement des batteries**

Cet onduleur est expédié au départ de l'usine avec les batteries internes entièrement chargées. Toutefois, une perte de charge étant possible durant le transport, il conviendra de les recharger. Les batteries atteindront leur efficacité maximum après environ 8 heures de charge.

L'onduleur recharge automatiquement ses batteries dès qu'il est sous tension et que l'interrupteur est en position « marche ». Vous pouvez utiliser l'onduleur immédiatement sachant que le temps d'autonomie peut être inférieur à la valeur nominale (selon charge connectée).

### **3. Lieu et installation**

L'onduleur est conçu pour une installation en environnement protégé à une température comprise entre 0°C et 40°C et un taux d'humidité compris entre 0% et 90% sans condensation.

Ne pas obstruer les grilles de ventilation. Installer l'appareil dans un endroit exempt de poussière, de vapeurs chimiques et de contaminants conducteurs.

Par ailleurs, afin d'éviter toute perturbation électromagnétique, éloigner l'onduleur d'au moins 20 cm de l'unité centrale et du moniteur.

### **4. Connexion**

Vérifier, sur la plaque signalétique au dos de l'onduleur, que la tension d'alimentation est compatible avec celle du réseau et que la puissance de l'appareil est suffisante pour l'alimentation de la charge à protéger. Brancher le cordon d'alimentation ❶ sur une prise de courant secteur, puis connecter les périphériques informatiques aux prises secourues de l'onduleur ❷.

### **5. Marche / Arrêt**

Pour mettre en route l'onduleur, appuyer sur le bouton marche/arrêt (interrupteur). Pour éteindre l'onduleur appuyer de nouveau sur le bouton marche/arrêt. Assurez-vous que le bouton marche/arrêt soit bien en position "ON" pour que la protection de votre matériel soit effective en cas de défaut d'alimentation.

**Note:** *Il est recommandé d'allumer l'onduleur avant d'allumer votre PC et autres périphériques. Ainsi que d'éteindre les PC/périphériques avant d'éteindre l'onduleur.*

### **6. Démarrage à froid**

L'onduleur X3 EX est équipé d'une fonction démarrage DC. Pour démarrer l'onduleur en l'absence de courant et avec la batterie à pleine charge, appuyer sur le bouton marche/arrêt.

### **7. Fonction économie d'énergie**

L'onduleur X3 EX est équipé d'une fonction d'économie d'énergie lors de l'absence de la tension secteur. Si aucune charge n'est connectée à l'onduleur, cette fonction se met en service automatiquement au bout de 5 minutes. L'onduleur s'arrête pour ainsi éviter de décharger complètement la batterie.

### **8. Protection téléphone/fax/modem**

Pour protéger un fax ou un modem, connectez l'arrivée de la ligne téléphonique sur la prise "IN" au dos de l'onduleur et utilisez un câble pour relier la prise "OUT" au téléphone/fax/modem.

**Attention:** Une utilisation mal appropriée des connecteurs RJ11/45 peut rendre la protection parafoudre de la ligne téléphonique inopérante. Ne pas installer cette connexion durant un orage. Pour protéger un réseau, utilisez un câble RJ45 (non fourni).

**Note:** La non utilisation de ces connecteurs sur votre onduleur ne gêne en rien sans fonctionnement normal.

## **8. INTERFACE ORDINATEUR**

Pour éviter l'extinction brutale de votre ordinateur, connecter un câble USB à votre ordinateur. Vous pouvez ensuite installer et utiliser le logiciel de fermeture automatique (téléchargement gratuit sur internet).

L'interface USB à l'arrière de l'onduleur peut être raccordée à l'ordinateur permettant à l'ordinateur de contrôler l'état de l'onduleur:

- Alarme visuelle en cas de coupure de l'alimentation
- Fermeture automatique des fichiers avant la fin d'autonomie batterie
- Arrêt de l'onduleur

Pour plus d'informations, visiter notre site web [www.infosec-ups.com](http://www.infosec-ups.com)

## **9. BATTERIE**

La batterie est la seule partie occasionnellement utilisée dans l'onduleur. Sa durée de vie est de l'ordre de 3 à 5 ans. Par contre, de fréquentes décharges profondes et une température supérieure à 20° C réduisent cette durée de vie. Il est recommandé de recharger la batterie tous les 3 mois en cas de non utilisation de l'onduleur pour compenser l'autodécharge. L'autonomie de l'onduleur dépend de la charge alimentée, de l'âge et de l'état de charge des batteries.

### ***ATTENTION !***

Seul un technicien qualifié peut remplacer les batteries. Les batteries ont un courant de court-circuit très élevé : **une erreur de branchement peut provoquer un arc électrique et causer de graves brûlures.**

## **10. DEPANNAGE**

Dans le cas où l'onduleur ne fonctionnerait pas correctement, nous vous recommandons d'effectuer les tests suivants avant d'appeler le Service Après Vente.

### **Vérifier que :**

- L'interrupteur marche/arrêt est en position « marche » (ON)?
- L'onduleur est-il raccordé à une prise de courant sous tension (2P+T)?
- La tension d'alimentation est-elle comprise dans les valeurs spécifiées ?
- Le fusible d'alimentation est ok?
- L'onduleur est en surcharge ?

- La batterie est complètement déchargée ou défectueuse ?

<b>PROBLEME</b>	<b>CAUSE POSSIBLE</b>	<b>SOLUTIONS</b>
L'écran LCD n'affiche rien.	Batterie déchargée	Mettre la batterie en charge pendant 6 heures.
	Batterie défectueuse	Remplacer par une batterie de même type
	L'interrupteur n'a pas été bien enfoncé	Appuyer sur le bouton marche/arrêt
Alarme sonore déclenchée en continu alors que l'alimentation secteur est normale	Onduleur surchargé	Vérifier que la charge branchée correspond à la capacité de l'onduleur. Retirer les éléments de charge non indispensables puis redémarrer l'onduleur.
En cas de panne de secteur, temps de sauvegarde réduit	L'onduleur est surchargé ou l'équipement connecté est défectueux	Retirer les charges non indispensables
	Les batteries sont déchargées	Mettre la batterie en charge pendant 6 heures.
	Les batteries ne sont pas capables de supporter une charge maximum, elles sont trop usées	Remplacer par une batterie de même type
Le secteur est normal mais l'onduleur est en mode batterie	Le câble d'alimentation est mal branché	Reconnecter le câble d'alimentation correctement

## 11. SPECIFICATIONS TECHNIQUES

	X3 EX-500	X3 EX-650	X3 EX-800	X3 EX-1000
<b>TECHNOLOGIE</b>				
<b>Technologie</b>	Line Interactive avec régulation de tension			
<b>Puissance</b>	500 VA	650 VA	800 VA	1000 VA
<b>Forme d'onde</b>	Pseudo Sinusoïdale			
<b>Protection</b>	Décharge / surcharge / surtension + ligne Tél/Fax/Modem			
<b>Facteur de puissance</b>	0,5	0,55	0,6	0,5
<b>CARACTERISTIQUES PHYSIQUES</b>				
<b>Dimensions</b> PxLxH (mm)	287 x 100 x 142			
<b>Poids</b> kg	3,95	4,25	4,9	5,2
<b>Connecteurs de sortie</b>	2 prises Schuko/FR protégées Connecteurs RJ11/45 (Entrée/Sortie) 1 port USB			
<b>CARACTERISTIQUES TECHNIQUES EN ENTREE</b>				
<b>Tension</b>	220/230/240 V			
<b>Plage de tension</b>	162-290 VAC			
<b>CARACTERISTIQUES TECHNIQUES EN SORTIE (mode batterie)</b>				
<b>Tension</b>	220/230/240 V			
<b>Plage de tension</b>	± 10 %			
<b>Fréquence</b>	50 ou 60 Hz ± 1 Hz (auto détection)			
<b>BATTERIE</b>				
<b>Batterie (nombre &amp; type)</b>	12V/7AH*1	12V/7AH*1	12V/9AH*1	12V/9AH*1
<b>Autonomie (1 PC)</b>	10 min.	12 min.	15 min.	15 min.
<b>Temps de recharge</b>	10 heures à 90% après décharge complète			
<b>ENVIRONNEMENT</b>				
<b>Environnement idéal</b>	0-40°C, 0-90% d'humidité relative (sans condensation)			
<b>NORMES</b>				
<b>Sécurité / Standard</b>	CE RoHS			



### X3 EX 500 / 650 / 800 / 1000:

Assurance gratuite pour l'équipement connecté à hauteur de 120.000 €. Voir conditions détaillées et procédure de souscription dans les 10 jours suivant l'achat sur le site web : [www.infosec-ups.com](http://www.infosec-ups.com).

	<b>X3 EX-1200</b>	<b>X3 EX-1600</b>	<b>X3 EX-2000</b>	<b>X3 EX-3000</b>
<b>TECHNOLOGIE</b>				
<b>Technologie</b>	Line Interactive avec régulation de tension			
<b>Puissance</b>	1200 VA	1600 VA	2000 VA	3000 VA
<b>Forme d'onde</b>	Pseudo Sinusoïdale			
<b>Protection</b>	Décharge / surcharge / surs tension + ligne Tél/Fax/Modem			
<b>Facteur de puissance</b>	0,5	0,55	0,6	0,6
<b>CARACTERISTIQUES PHYSIQUES</b>				
<b>Dimensions PxDxH (mm)</b>	350 x 146 x 160	397 x 145 x 205		
<b>Poids kg</b>	8	11,1	12,5	15,2
<b>Connecteurs de sortie</b>	4 prises Schuko/FR protégées Connecteurs RJ11/45 (Entrée/Sortie) 1 port USB	4 prises Schuko/FR protégées Connecteurs RJ11/45 (Entrée/Sortie) 1 port USB		
<b>CARACTERISTIQUES TECHNIQUES EN ENTREE</b>				
<b>Tension</b>	220/230/240 V			
<b>Plage de tension</b>	162-290 VAC			
<b>CARACTERISTIQUES TECHNIQUES EN SORTIE (mode batterie)</b>				
<b>Tension</b>	220/230/240 V			
<b>Plage de tension</b>	± 10 %			
<b>Fréquence</b>	50 ou 60 Hz ± 1 Hz (auto détection)			
<b>BATTERIE</b>				
<b>Batterie (nombre &amp; type)</b>	12V/7AH*2	12V/9AH*2	12V/9AH*2	12V/10AH*2
<b>Autonomie (1 PC)</b>	30 min.	40 min.	50 min.	1h15 min.
<b>Temps de recharge</b>	10 heures à 90% après décharge complète			
<b>ENVIRONNEMENT</b>				
<b>Environnement idéal</b>	0-40°C, 0-90% d'humidité relative (sans condensation)			
<b>NORMES</b>				
<b>Sécurité / Standard</b>	CE RoHS			



### **X3 EX 1200/1600/2000/3000:**

Assurance gratuite pour l'équipement connecté à hauteur de 150.000 €. Voir conditions détaillées et procédure de souscription dans les 10 jours suivant l'achat sur le site web : [www.infosec-ups.com](http://www.infosec-ups.com).

# Gebruiksaanwijzing



We raden u aan om deze handleiding grondig te lezen om het product goed te kunnen installeren en gebruiken.

## 1. INLEIDING

De X3 EX reeks bestaat uit krachtige Apparaten met een rechtstreekse aansluiting op de PC via een USB-poort. De UPS is zelfregelend voor een evenwichtig uitvoervermogen en biedt een complete beveiliging voor uw servers en hun randapparatuur in het geval van stroomonderbrekingen of -pieken. Als de stroom onderbroken wordt door stroomuitval, overspanning of stroompieken, zal de UPS uw computerapparatuur razendsnel overschakelen op een alternatieve stroombron. Zo kunt u een back-up maken, uw programma(s) afsluiten en het systeem correct afsluiten. Bij een normale stroomvoorziening behoudt de X3 EX zijn batterijlading en werkt het apparaat totaal onopvallend. Met andere woorden: dit type ononderbreekbare multifunctionele stroomvoorziening zal uw taken vergemakkelijken. U kunt de operationele status en het laadniveau gemakkelijk controleren dankzij de led's of het LCD-scherm. De geavanceerde UPS zorgt ervoor dat uw computerapparatuur een eigen en betrouwbare stroomvoorziening heeft. Hieronder vindt u de belangrijkste kenmerken van de X3 EX-reeks terug.

## 2. KENMERKEN

- Een uiterst betrouwbare sturing via microprocessor
- Automatische uitvoer spanningsregelaar (AVR)
- Geïntegreerde USB-communicatiepoort
- Regeling en standaardisering invoerspanning
- Koudstartfunctie indien geen stroomtoevoer
- Laden in uit-stand
- Ecomodus voor energiebesparing
- Automatische herstart tijdens AC stroomherstel
- Compacte afmetingen, licht
- Tel/Modem of netwerk spanningspiekbeveiliging (RJ45 connectors)

## 3. VEILIGHEIDSINSTRUCTIES

### BELANGRIJK!

Bewaar deze handleiding goed en lees de instructies zorgvuldig voordat u het apparaat installeert. Lees eerst alle veiligheidsinformatie en bedieningsinstructies voordat u het apparaat in gebruik neemt. Het apparaat moet worden geïnstalleerd en bedraad in overeenstemming met de geldende plaatselijke wet- en regelgeving op het gebied van elektra. Als het UPS-systeem niet in overeenstemming met de algemeen geaccepteerde praktijk wordt geïnstalleerd en aangesloten, wijst Infosec Communication iedere aansprakelijkheid van de hand.

### ▪ **Transport**

1. Transporteer het UPS-systeem uitsluitend in de originele verpakking om het te beschermen tegen mechanische schokken en stoten.

### ▪ **Vorbereiding en juiste plaatsing van het apparaat:**

1. Als het UPS-systeem rechtstreeks van een koude naar een warme omgeving wordt overgebracht, kan condensvorming optreden. Het UPS-systeem moet beslist droog zijn



voordat het wordt geïnstalleerd. Laat het UPS-systeem eerst ten minste twee uur op temperatuur komen.

2. Installeer het UPS-systeem niet in de buurt van water of in vochtige omgevingen.
3. Installeer het UPS-systeem niet op een plek waar er direct zonlicht op valt, of in de buurt van radiatoren of verwarmingselementen.
4. Zorg ervoor dat de ventilatieopeningen niet geblokkeerd raken. De UPS moet worden geïnstalleerd op een plek met toereikende ventilatie. Zorg ervoor dat er aan weerszijden genoeg ruimte is voor ventilatie.
5. Het stopcontact dat de UPS van stroom voorziet moet in de buurt van de UPS worden geïnstalleerd en makkelijk toegankelijk zijn.
6. Installeer het toestel in een ruimte met gecontroleerde temperatuur en vochtigheid en vrij van stoorsignalen.
7. De UPS van het net scheiden en uitschakelen voordat het apparaat wordt gereinigd met een vochtige doek (geen reinigingsmiddelen).
8. Zet geen bakken, emmers of andere containers met vloeistof op de UPS of in de nabijheid.
9. Leid de bedrading zo, dat niemand erop kan gaan staan of erover kan struikelen.
10. Zorg ervoor dat er geen vloeistoffen of vreemde voorwerpen in de UPS terechtkomen.

▪ **Risico op elektrische schokken:**

1. Het UPS-apparaat werkt met potentieel gevaarlijke spanningen. Probeer dit apparaat niet te demonteren. Het bevat geen onderdelen die door de gebruiker kunnen worden gerepareerd, met uitzondering van het vervangen van de zekering.
2. Pas op - risico op elektrische schokken. Het accucircuit is niet geïsoleerd van de invoerspanning. Tussen de accupolen en de aarde kunnen gevaarlijke elektrische spanningen staan. Verzeker u ervan dat er geen spanning aanwezig is voordat u onderdelen aanraakt!
3. Het UPS-apparaat werkt met gevaarlijke elektrische spanningen. Reparaties mogen alleen worden uitgevoerd door gekwalificeerd onderhoudspersoneel.
4. Het stopcontact dat het apparaat van stroom voorziet dient zich naast het apparaat te bevinden en makkelijk bereikbaar te zijn. Verwijder de stekker van de verbruiker uit de contactdoos van de UPS om de UPS van het net te scheiden en uit te schakelen.
5. Trek niet de voedingskabel van de UPS uit de voedingsingang van de UPS of uit het stopcontact (met randaarde), in dat geval wordt de aarding van de UPS en alle aangesloten verbruikers tenietgedaan.
6. De UPS heeft een interne stroombron (accu). Het risico bestaat dat de uitgangstopcontacten nog onder spanning staan nadat de UPS van het net is gescheiden.
7. In noodgevallen moet de UPS in de stand "Off" worden gezet en van het net worden gescheiden.
8. Als de UPS defect is, raadpleeg dan de paragraaf "**problemen oplossen**" en bel de hotline.
9. Bij externe accubank, indien aanwezig, moet de potentiaalvereffening worden gecontroleerd

▪ **Gekoppelde producten:**

1. De gecombineerde lekstroom van UPS en gekoppelde apparaten mag niet groter zijn dan 3,5 mA.
2. Zorg ervoor dat de belasting van de gekoppelde apparatuur het vermogen van de UPS niet overschrijdt. Voor een langere backuptijd en een langere acculevensduur, raden we een belastingsequivalent van 1/3 van het nominaal vermogen aan.

3. Sluit geen toestellen of apparaten aan op de uitgangcontactdozen of -klemmen van de UPS, die de UPS kunnen overbelasten (bijv. apparaten met zware motoren).
4. Sluit de voedingsstekker van de UPS niet aan op een eigen uitgangcontactdoos van de UPS.
5. Plug de UPS niet in snoerdoos of piekspanningsonderdrukker.
6. De UPS is ontworpen voor PC's. Niet gebruiken met elektrische of elektronische apparaten met inductieve belastingen, zoals motoren of TL-lampen.
7. Koppel geen huishoudelijke apparaten, zoals magnetrons, stofzuigers, haardrogers of medische apparaten aan de UPS.
8. Ook laserprinters, mogen vanwege door hun hoog verbruik niet aan de UPS worden gekoppeld.
9. Vervang de zekering altijd door hetzelfde type en met dezelfde stroomwaarde om brandgevaar te voorkomen.
10. Gebruik alleen CEE 7/7 stekkers

▪ **Over accu's:**

1. Het wordt aangeraden de accu door een erkende technicus te laten vervangen.
2. Koppel altijd de accu's los voordat er service- of onderhoudswerkzaamheden worden gedaan en verzeker u ervan dat er geen elektrische stroom loopt of een gevaarlijke spanning op de klemmen van supercondensators staat.
3. Werp de accu niet in vuur, er bestaat explosiegevaar.
4. **Open of beschadig de accu niet!** Het elektrolyt, hoofdzakelijk zwavelzuur, kan giftig zijn en schadelijk voor huid en ogen. Komt u hiermee in contact, grondig wassen met water en vuile kleding reinigen.
5. Gooi de accu niet in vuur. De accu kan exploderen. Aan het einde van zijn levensduur moet de accu gescheiden worden ingezameld. Zie de lokale wetgeving en voorschriften.
6. De UPS heeft een of twee accu's met een grote capaciteit. Open ze niet om elektrische schokken te vermijden. Neem contact op met uw dealer als de accu moet worden onderhouden of vervangen.
7. Onderhoud aan accu's mag alleen door opgeleid personeel worden uitgevoerd, dat de nodige voorzorgsmaatregelen neemt. Houd accu's buiten bereik van niet-gekwalificeerde personen.
8. Een accu kan elektrische schokken en kortsluitingen veroorzaken. Gekwalificeerde technici dienen de volgende voorzorgsmaatregelen te nemen:
  - ✓ Verwijder uurwerken, ringen en andere metalen objecten van uw handen.
  - ✓ Gebruik gereedschap met geïsoleerde handvaten.
  - ✓ Ontkoppel de laadbron voor u accupolen aansluit of afkoppelt.
  - ✓ Vervang accu's altijd door hetzelfde type en aantal onderhoudsvrije zuur-loodaccu's.

## **5. DIENST NA VERKOOP**

### **BELANGRIJK!**

Wanneer u contact opneemt met de klantendienst wordt u naar de volgende informatie gevraagd, ongeacht het probleem dat zich voordoet: UPS-model, serienummer en datum van aankoop.

Geef een nauwkeurige beschrijving van het probleem en de volgende bijzonderheden: type apparatuur die aan de UPS is gekoppeld, status aanduidingsled, alarmstatus, toestand van installatie en omgeving.

De technische informatie die u nodig heeft, vindt u op uw garantiebewijs of op het identificatieplaatje aan de achterkant van het toestel. U noteert best deze gegevens in het volgende vak.

Model	Serienummer	Datum van aankoop
X3 EX ...		

! Bewaar alstublieft de originele verpakking. In geval van een retour van de UPS naar de dienst na verkoop, is deze vereist.

▪ **CE-conformiteit:**



Met dit logo wordt aangegeven dat het product voldoet aan de EMC- en Laagspanningsrichtlijn (regelgeving m.b.t. spanningen voor elektrische apparatuur en elektromagnetische velden) en voldoet aan RoHS-richtlijnen.

Dit is een UPS-product van categorie C2. In woonomgevingen kan dit product radio-interferentie veroorzaken, waartegen de gebruiker mogelijk aanvullende maatregelen moet treffen (alleen voor 220/230/240 VAC).

**BELANGRIJK**



Een UPS behoort tot de categorie van elektronische en elektrische apparatuur. Aan het einde van de levensduur moet het apparaat apart en op de juiste wijze worden gerecycled.

Dit symbool is ook bevestigd op de met dit apparaat meegeleverde accu's, dit betekent dat ze aan het eind van hun gebruiksduur ook moeten worden ingeleverd op een geschikte locatie.

Neem contact op met uw lokale aanbieder voor gevaarlijk afval voor informatie over het op de juiste manier afvoeren van de gebruikte accu.

## 6. BESCHRIJVING

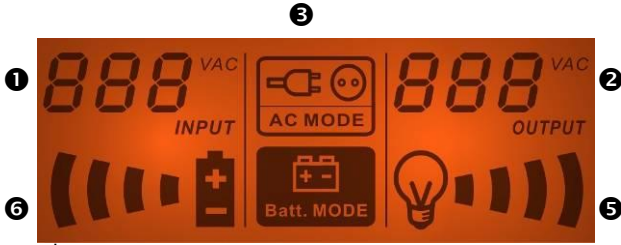
### X3 EX-500/650/800/1000 - FRONTPANEEL



### X3 EX-1200/1600/2000/3000 - FRONTPANEEL

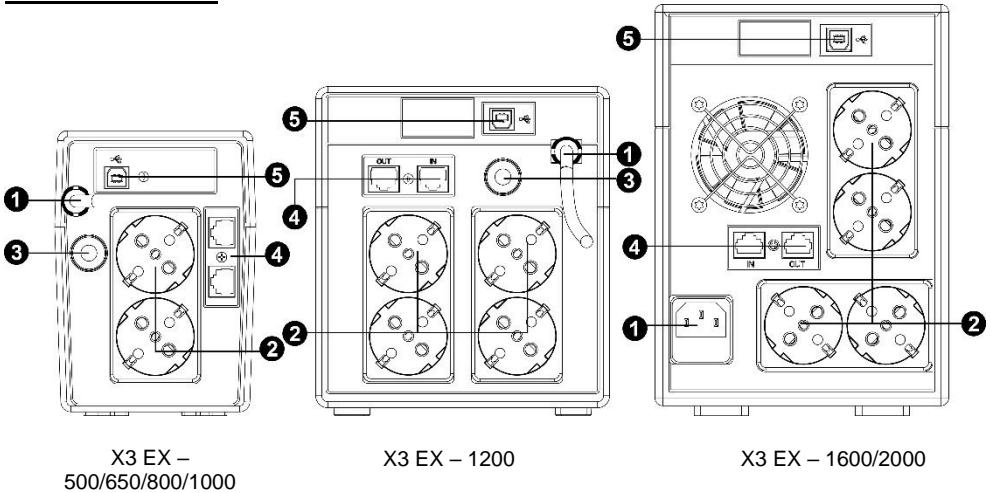


## LCD-Scherm



- 1 - Invoerspanning
- 2 - Uitvoerspanning
- 3 – Wisselstroommodusindicator - knippert wijst de spanning wordt geregeld
- 4 - Batterijmodusindicator
- 5 - Belastingsindicator – knipperen wijst op overbelasting
- 6 - Batterijcapaciteitsindicator – knipperen wijst op lage batterij

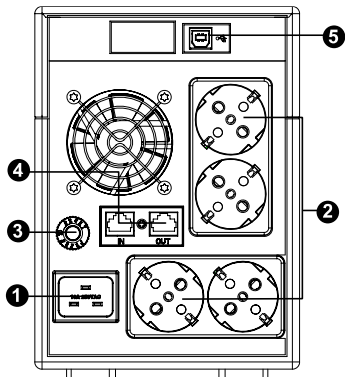
## ACHTERZIJDE



X3 EX –  
500/650/800/1000

X3 EX – 1200

X3 EX – 1600/2000



X3 EX – 3000

- 1 - AC-ingangskabel
- 2 - Beschermde UPS-aansluitingen\*
- 3 - Ingangszekeringautomat
- 4 - RJ11/45-beschermde uitgangen
- 5 - USB-communicatiepoort

\*Te gebruiken met FR/Schuko CEE /7-7 stekers

## **7. INSTALLATIE EN WERKING**

### **1. Controle**

Bij ontvangst van het toestel opent u de verpakking en controleert u of de UPS niet beschadigd is. De verpakking bevat:

**X3 EX 500/650/800/1000:** UPS unit en een handleiding.

**X3 EX 1200:** UPS unit en een handleiding.

**X3 EX 1600/2000:** UPS unit en een handleiding.

**X3 EX 3000:** UPS-apparaat, handleiding, voedingskabel.

### **2. De batterijen opladen**

Dit apparaat wordt af fabriek verstuurd met een volledig geladen batterij. Tijdens het transport kan de lading echter wat afnemen. Daarom moet de batterij opnieuw worden geladen voor gebruik. Steek het toestel in een stopcontact en laat de UPS volledig opladen door deze minstens 8 uur zonder belasting aangesloten te laten.

De UPS zal de eigen batterijen automatisch opladen wanneer de schakelaar zich in de "ON" stand bevindt. U kunt de UPS onmiddellijk gebruiken, maar de back-up power capaciteit kan lager zijn dan de nominale vereiste waarde.

### **3. Plaatsin & opslag**

De UPS werd ontworpen om in een beschermde omgeving te werken, bij temperaturen tussen 0 °C en 40 °C en een luchtvochtigheid tussen 0% en 90% (geen condensatie).

Bedek de ventilatieopeningen niet. Installeer het toestel in een gecontroleerde omgeving, zonder stof, corrosieve dampen en conductieve vervuilers. Om storingen te vermijden houdt u de UPS best minstens 20cm verwijderd van de CPU (central processing unit).

### **4. Verbinding**

Controleer het identificatieplaatje aan de achterzijde van de UPS om te zien of de stroomtoevoer compatibel is met de netspanning en dat het apparaat krachtig genoeg is. Sluit de voedingskabel van de UPS aan op een 2-polig, randaardestopcontact. Sluit daarna uw computergerelateerde apparatuur aan op de achterzijde van de UPS.

### **5. In/Uitschakelen**

Druk licht op de aan/uit knop om de UPS in te schakelen. Druk licht op de aan/uit knop om de UPS uit te schakelen. Zorg ervoor dat de aan/uit knop in de stand "On" blijft. Anders wordt de UPS uitgeschakeld en is uw apparatuur niet langer beschermd in geval van stroomuitval.

**Opmerking:** *Schakel bij een onderhoud eerst de UPS in en daarna de pc en randapparatuur. Doe het omgekeerde bij het uitschakelen.*

### **6. Starten met gelijkstroom**

X3 units zijn voorzien van een geïntegreerd DC startfunctie. Druk gewoon op de knop om de UPS te starten wanneer de netspanning is uitgevallen en de batterij vol is.

### **7. Ecomodus**

X3 units zijn voorzien van een energiebesparingsfunctie. Als er geen randapparatuur op de UPS is aangesloten, zal hij zichzelf na 5 minuten automatisch uitschakelen om energie te besparen tijdens een stroomuitval. Zorg ervoor dat de aan/uit knop in de stand "On" blijft. Anders wordt de UPS uitgeschakeld en is uw apparatuur niet langer beschermd in geval van stroomuitval.

### **8. Modem/Telefoonlijn/Netwerk aansluiten voor spanningspiekbeveiliging**

Sluit één modem/telefoonlijn aan op een tegen spanningspieken beveiligde "In" poort aan de achterzijde van de UPS. Sluit de "OUT" uitgang aan op de computer met een andere telefoonlijnkabel. **Opgelet :** De overspanningsafleider van de telefoonlijn zou defect kunnen raken indien deze niet correct wordt geïnstalleerd. Deze overspanningsafleider is alleen bedoeld voor gebruik binnen. Installeer nooit telefoonkabels tijdens een onweer.

**Opmerking:** Deze aansluiting is optioneel.

## 8. COMPUTER INTERFACE

U moet een USB-Kabel aan uw computer koppelen om een abrupte uitschakeling van het systeem te vermijden. Vervolgens kunt u de automatische shutdown software installeren en gebruiken (Gratis download beschikbaar op de website).

De USB communicatiepoort aan de achterzijde van de UPS maakt het mogelijk om de UPS-status direct op de pc af te lezen.

Dit zijn de belangrijkste functies:

- Transmissie van een visueel alarm in geval van een stroomonderbreking
- Automatische afsluiting van bestanden alvorens de batterij leeg is
- Computer & UPS shutdown

Raadpleeg de website [www.infosec-ups.com](http://www.infosec-ups.com) voor meer informatie.

## 9. BATTERIJ

De batterij is het enige onderdeel van de UPS dat niet continu in gebruik is. De batterij heeft een gebruiksduur van ongeveer 3 tot 5 jaar. De gebruiksduur wordt echter verkort wanneer de batterij vaak wordt ontladen of wanneer ze wordt blootgesteld aan temperaturen van meer dan 20 °C. Daarom raden we aan dat gebruikers de batterij eens per 3 maanden opladen wanneer het toestel niet wordt gebruikt om het natuurlijke ontladingsproces tegen te gaan. De UPS backuptijd hangt af van de belasting, de leeftijd en de staat van de batterijen.

### **WAARSCHUWING!**

Batterijen mogen enkel door gekwalificeerde technici worden vervangen. Batterijen hebben een zeer hoge kortsluitstroom: **fouten bij het aansluiten kunnen leiden tot vlambogen en brandwonden.**

## 10. PROBLEMEN OPLOSSEN

Als de UPS niet goed werkt raden we u aan om eerst de volgende tests uit te voeren alvorens u naar de hotline belt.

### Checklist:

- Staat de hoofdschakelaar in de stand "ON"?
- Is de UPS met het net verbonden?
- Valt de stroomtoevoer binnen de gespecificeerde waarden?
- Is de zekering van het hoofdstopcontact niet doorgebrand?
- Is de UPS overbelast?
- Is de batterij onvoldoende geladen of defect?

PROBLEEM	MOGELIJKE OORZAAK	OPLOSSING
Geen led-weergave aan de voorzijde.	Zwakke batterij	Batterij gedurende 6 uur laden.
	Defecte batterij.	Vervangen door hetzelfde type batterij.
	UPS is niet ingeschakeld.	Druk op de aan/uit knop om de UPS in te schakelen.
	UPS overbelasting.	

Alarm weerklinkt continu wanneer netspanning normaal is.		Controleer of de belasting overeenkomt met de UPS-capaciteit uit de technische kenmerken.
In geval van een stroomonderbreking wordt de backuptijd verkort.	UPS overbelasting.	Niet-kritische belasting verminderen.
	Batterijspanning te laag.	Batterij gedurende 6 uur laden.
	Batterij defect door te hoge omgevingstemperatuur of oneigenlijk gebruik.	Vervangen door hetzelfde type batterij.
Netspanning normaal, maar de unit werkt op batterij.	Los netsnoer.	Netsnoer opnieuw vastmaken.



## 11. TECHNISCHE SPECIFICATIES

	X3 EX-500	X3 EX-650	X3 EX-800	X3 EX-1000
<b>TECHNOLOGIE</b>				
<b>Technologie</b>	Line Interactive technologie			
<b>Vermogen</b>	500 VA	650 VA	800 VA	1000 VA
<b>Uitgangsvorm</b>	Gemodificeerde sinusgolf			
<b>Beveiliging</b>	beveiliging tegen ontladen / overladen en overbelasting + fax modem lijn			
<b>Vermogensfactor</b>	0,5	0,55	0,6	0,5
<b>FYSISCHE</b>				
<b>Afmetingen B x D x H (mm)</b>	287 x 100 x 142			
<b>Gewicht in kg:</b>	3,95	4,25	4,9	5,2
<b>Uitgangconnectors</b>	2 Randaarde-/FR-beveiligde UPS-stopcontacten 1 tegen spanningspieken beveiligde RJ11/45 (in/uit) 1 USB-poort			
<b>INGANG</b>				
<b>Spanning</b>	220/230/240 V			
<b>Spanningsbereik</b>	162-290 VAC			
<b>UITGANG (Batterijmodus)</b>				
<b>Spanning</b>	220/230/240 V			
<b>Regeling</b>	± 10 %			
<b>Frequentie</b>	50 of 60 Hz ± 1 Hz			
<b>BATTERIJ</b>				
<b>Type</b>	12V/7AH*1	12V/7AH*1	12V/9AH*1	12V/9AH*1
<b>Backuptijd (1 PC-belasting)</b>	10 min.	12 min.	15 min.	15 min.
<b>Laadtijd</b>	10 uur tot 90 % na volledige ontlading			
<b>OMGEVING</b>				
<b>Bedrijfsomgeving</b>	0° tot 40°C, 20 to 90 % relatieve vochtigheid			
<b>PRODUCTIE</b>				
<b>Veiligheid / Norm</b>	CE RoHS			



### X3 EX 500 / 650 / 800 / 1000:

Gratis verzekering tot 120.000€ voor aangesloten apparatuur.

Zie de voorwaarden en registreert u zich binnen 10 dagen na aankoop op de website: [www.infosec-ups.com](http://www.infosec-ups.com).

	<b>X3 EX-1200</b>	<b>X3 EX-1600</b>	<b>X3 EX-2000</b>	<b>X3 EX-3000</b>
<b>TECHNOLOGIE</b>				
<b>Technologie</b>	Line Interactive technologie			
<b>Vermogen</b>	1200 VA	1600 VA	2000 VA	3000 VA
<b>Uitgangsvorm</b>	Gemodificeerde sinusgolf			
<b>Beveiliging</b>	beveiliging tegen ontladen / overladen en overbelasting + fax modem lijn			
<b>Vermogensfactor</b>	0,5	0,6	0,6	0,6
<b>FYSISCHE</b>				
<b>Afmetingen B x D x H (mm)</b>	350 x 146 x 160	397 x 145 x 205		
<b>Gewicht (kg)</b>	8	11,1	12,5	15,2
<b>Uitgangconnectors</b>	4 Randaarde-/FR-beveiligde UPS-stopcontacten 1 tegen spanningspieken beveiligde RJ11/45 (in/uit) 1 USB-poort	4 Randaarde-/FR-beveiligde UPS-stopcontacten 1 tegen spanningspieken beveiligde RJ11/45 (in/uit) 1 USB-poort		
<b>INGANG</b>				
<b>Spanning</b>	220/230/240 V			
<b>Spanningsbereik</b>	162-290 VAC			
<b>UITGANG (Batterijmodus)</b>				
<b>Spanning</b>	220/230/240 V			
<b>Regeling</b>	± 10 %			
<b>Frequentie</b>	50 of 60 Hz ± 1 Hz			
<b>BATTERIJ</b>				
<b>Type</b>	12V/7AH*	12V/9AH*2	12V/9AH*2	12V/10AH*2
<b>Backuptijd (1 PC-belasting)</b>	30 min.	40 min.	50 min.	1h15 min.
<b>Laadtijd</b>	10 uur tot 90 % na volledige ontlading			
<b>OMGEVING</b>				
<b>Bedrijfsomgeving</b>	0° tot 40°C, 20 to 90 % relatieve vochtigheid			
<b>PRODUCTIE</b>				
<b>Norm</b>	CE RoHS			



### **X3 EX 1200/1600/2000/3000:**

Gratis verzekering tot 150.000€ voor aangesloten apparatuur.

Zie de voorwaarden en registreert u zich binnen 10 dagen na aankoop op de website: [www.infosec-ups.com](http://www.infosec-ups.com).



# Bedienungsanleitung

Um dieses Produkt korrekt installieren und benutzen zu können, empfehlen wir Ihnen, diese Bedienungsanleitung sehr aufmerksam durchzulesen.

## **1. EINFÜHRUNG**

Die Reihe X3 EX besteht aus hochleistungsfähigen USV-Anlagen mit direktem Anschluss eines PCs über einen USB-Port. Die USV-Anlage ist selbstregulierend; d. h. sie liefert eine gleichmäßige Ausgangsleistung und bietet vollständigen Schutz für Ihre Server und Peripheriegeräte bei Stromausfall oder Spannungsschwankungen. Bei Problemen im Stromnetz wie Stromausfall, Spannungsspitzen oder transienten Überspannungen schaltet die USV Ihre Computeranlage in kürzester Zeit auf eine alternative Stromversorgung um. Das gibt Ihnen genügend Zeit, um Daten zu sichern, Ihre Programme zu beenden und das System ordnungsgemäß herunterzufahren. Unter normalen Netzbedingungen behält die X3 EX kontinuierlich ihre Batterieladung bei, um bei all Ihren Arbeitsvorgängen vollkommen transparent zur Verfügung zu stehen. Mit anderen Worten, diese Art der unterbrechungsfreien, multifunktionellen Stromversorgung vereinfacht Ihre Aufgaben. Der Betriebs- und Ladezustand lässt sich bequem anhand der LEDs bzw. des LCD-Displays kontrollieren. Mit dieser High-Tech-USV verfügt Ihre Computeranlage stets über eine korrekte und zuverlässige Stromversorgung. Die Hauptmerkmale der Reihe X3 EX finden Sie weiter unten.

## **2. HAUPTMERKMALE**

- Hoch zuverlässige Mikroprozessorsteuerung
- Automatische Regelung der Ausgangsspannung
- Eingebauter USB-Kommunikationsport
- Regelung und Normierung der Eingangsspannung
- Kaltstartfunktion bei Ausfall des Stromnetzes
- Laden im ausgeschalteten Zustand
- Energiesparfunktion
- Automatischer Neustart bei Wiederherstellung des Stromnetzes
- Kompakte Größe, geringes Gewicht
- Telefon-/Modem- oder Netzwerkschutz vor Spannungstößen (RJ45-Anschlüsse)

## **3. SICHERHEITSHINWEISE**

### **WICHTIG!**

Heben Sie dieses Handbuch sorgfältig auf und lesen Sie die folgenden Anweisungen aufmerksam durch, bevor Sie die Anlage installieren. Nehmen Sie die Anlage nicht in Betrieb, bevor Sie alle Sicherheitshinweise und Bedienungsanweisungen sorgfältig gelesen haben. Die Installation und Verkabelung muss entsprechend den örtlichen gesetzlichen Bestimmungen und Vorschriften erfolgen. Installation und Anschluss der USV-Anlage unter Missachtung der anerkannten Verfahren befreit Infosec Communication von jeglicher Haftung.

### ▪ **Transport**

1. Transportieren Sie die USV-Anlage zum Schutz vor Erschütterungen und Stößen nur in der Originalverpackung.
- **Vorbereitung und ordnungsgemäße Entsorgung des Gerätes:**

1. Bei direktem Transport der USV-Anlage von einer kalten in eine warme Umgebung kann es zu Kondensation kommen. Die USV-Anlage muss vor der Installation absolut trocken sein. Es kann mindestens zwei Stunden dauern, bis sich die USV-Anlage an die Umgebung angepasst hat.
2. Installieren Sie die USV-Anlage nicht in der Nähe von Wasserstellen oder in feuchter Umgebung.
3. Installieren Sie die USV-Anlage nicht an einem Ort mit direkter Sonneneinstrahlung oder nahe an einer Heizung.
4. Blockieren Sie nicht die Lüftungsöffnungen im Gehäuse der USV. Die USV muss an einem Ort mit guter Belüftung installiert werden. Achten Sie auf jeder Seite auf genügend Platz für die Belüftung.
5. Die Netzsteckdose zur Versorgung der USV muss sich nahe an der USV befinden und leicht zugänglich sein.
6. Installieren Sie die USV in einem Raum mit Temperatur- und Feuchtigkeitsregelung, der frei von Leitungsstörungen ist.
7. Zum Reinigen mit einem feuchten Tuch (keine Reinigungsmittel) trennen Sie die USV vom Stromnetz und schalten Sie sie aus.
8. Stellen Sie keine Behälter mit Flüssigkeit auf oder in die Nähe der USV.
9. Verlegen Sie die Kabel so, dass niemand darauf treten oder darüber stolpern kann.
10. Verhindern Sie, dass Flüssigkeiten oder andere Fremdkörper in das Innere der USV-Anlage gelangen.

▪ **Stromschlaggefahr:**

1. Die USV-Anlage verwendet potenziell gefährliche Spannungen. Versuchen Sie nicht, die Anlage zu zerlegen, da sie keine zugänglichen Komponenten enthält, die vom Benutzer repariert werden können. Die einzige Ausnahme ist der Sicherungswechsel.
2. Vorsicht – Stromschlaggefahr! Der Batteriestromkreis ist nicht von der Eingangsspannung getrennt. Zwischen den Batterieklemmen und der Erdung können gefährliche Spannungen auftreten. Vergewissern Sie sich vor dem Berühren, dass keine Spannung anliegt!
3. Die USV-Anlage arbeitet mit gefährlichen Spannungen. Reparaturen dürfen nur von ausgebildetem Wartungspersonal durchgeführt werden.
4. Die Netzsteckdose muss sich nahe am Gerät befinden und leicht zugänglich sein. Zum Trennen der USV vom Stromnetz und Ausschalten ziehen Sie den Stecker aus der Netzsteckdose.
5. Ziehen Sie während des Betriebs nicht das Netzkabel der USV-Anlage oder der Gebäudeanschlussdose (geerdete Schuko-Steckdose) ab, da sonst die Schutzerdung der USV-Anlage und aller angeschlossenen Verbraucher unterbrochen würde.
6. Die USV verfügt über eine eigene interne Stromversorgung (Batterie). Es besteht das Risiko, dass die Ausgangsbuchsen noch unter Spannung stehen, wenn die USV vom Stromnetz getrennt wurde.
7. Im Notfall die USV auf „Off“ schalten und vom Stromnetz trennen.
8. Bei Störungen der USV lesen Sie bitte Abschnitt: „**Störungsbehebung**“ und rufen Sie die Hotline an.
9. Der Potenzialausgleich muss ggf. mit einer externen Batteriebank überprüft werden.

▪ **Angeschlossene Produkte:**

1. Der gesamte Kriechstrom der USV und angeschlossenen Geräte sollte 3,5 mA nicht überschreiten.

2. Stellen Sie sicher, dass die angeschlossene Last nicht die Nennleistung der USV überschreitet. Um eine verbesserte Reservezeit und längere Batterielebensdauer zu erzielen, wird eine Verbraucherlast von 1/3 der Nennleistung empfohlen.
3. Schließen Sie keine Geräte oder Vorrichtungen, die die USV überlasten würden (z. B. große Motorausrüstungen), an die USV-Ausgangsbuchsen oder -Klemmen an.
4. Schließen Sie den Stecker der USV nicht an ihrer eigenen Ausgangsbuchse an.
5. Schließen Sie die USV nicht an einer Steckdosenleiste oder einem Überspannungsschutz an.
6. Die USV wurde zum Gebrauch mit Personal Computern entwickelt. Sie sollte nicht mit elektrischen oder elektronischen Geräten mit induktiven Lasten wie Motoren oder Leuchtstoffröhren verwendet werden.
7. Schließen Sie keine Haushaltsgeräte, wie Mikrowellenherde, Staubsauger, Haartrockner oder Lebenserhaltungssysteme, an die USV an.
8. Aufgrund des hohen Stromverbrauchs sollten keine Laserdrucker an die USV angeschlossen werden.
9. Bitte ersetzen Sie die Sicherungen nur durch den gleichen Typ und die gleiche Amperestärke, um Brandgefahr zu vermeiden.
10. Verwenden Sie nur CEE 7/7-Stecker

▪ **Infos zur Batterie:**

1. Es wird empfohlen, die Batterie von einem ausgebildeten Techniker austauschen zu lassen.
2. Trennen Sie vor Durchführung von Wartungs- und Instandhaltungsarbeiten die Batterien und vergewissern Sie sich, dass kein Strom vorhanden ist und keine gefährliche Spannung an den Klemmen von Hochleistungskondensatoren wie BUS-Kondensatoren anliegt.
3. Die Batterie nicht ins Feuer werfen, da sie explodieren kann.
4. **Die Batterie nicht öffnen oder beschädigen!** Die Elektrolytflüssigkeit, welche hauptsächlich aus Schwefelsäure besteht, kann giftig und schädlich für die Haut und Augen sein. Bei Berührung gründlich mit Wasser abwaschen und verschmutzte Kleidung reinigen.
5. Die Batterie nicht ins Feuer werfen. Sie kann explodieren. Nach dem Ende ihrer Lebensdauer muss sie getrennt entsorgt werden. Befolgen Sie die örtlichen Gesetze und Vorschriften.
6. Die USV enthält ein oder zwei Batterien mit hoher Ladekapazität. Um die Gefahr eines Stromschlags zu vermeiden, darf bzw. dürfen sie nicht geöffnet werden. Falls eine Batterie gewartet oder ausgewechselt werden muss, wenden Sie sich dazu bitte an den Händler.
7. Die Wartung sollte von einem kompetenten Fachmann vorgenommen oder beaufsichtigt werden, der die notwendigen Sicherheitsvorkehrungen trifft. Unberechtigte Personen sind von den Batterien fernzuhalten.
8. Eine Batterie kann das Risiko eines elektrischen Schlags bergen und Kurzschlüsse verursachen. Von dem ausgebildeten Techniker sollten daher folgende Sicherheitsvorkehrungen getroffen werden:
  - ✓ Armbanduhren, Ringe oder andere Metallgegenstände von den Händen entfernen.
  - ✓ Werkzeuge mit isoliertem Griff verwenden.
  - ✓ Vor dem Anschließen oder Trennen der Batterieklemmen die Ladestromquelle unterbrechen.
  - ✓ Zum Auswechseln der Batterien den gleichen Typ und die gleiche Anzahl von versiegelten Bleisäurebatterien verwenden.

#### **4. HINWEISE ZUR LAGERUNG**

Die USV sollte mit voll aufgeladener Batterie gelagert werden. Bei langfristiger Lagerung sollten die Batterien alle 3 Monate über 24 Stunden (durch Anschließen der USV am Stromnetz und Einschalten) wieder aufgeladen werden, um eine Verschlechterung der Batterieleistung zu vermeiden.

Die USV sollte nicht in folgenden Umgebungen gelagert oder verwendet werden:

- ✓ In Bereichen mit brennbaren Gasen, korrosiven Substanzen oder starker Staubeentwicklung.
- ✓ In Bereichen mit übermäßig hoher oder niedriger Temperatur (über 40 °C oder unter 0 °C) und Luftfeuchtigkeit über 90 %.
- ✓ In Bereichen in direktem Sonnenlicht oder in der Nähe von Wärmequellen.
- ✓ In Bereichen, die starken Schwingungen ausgesetzt sind.
- ✓ Im Freien.

Bei einem Brand in der Nähe sind Feuerlöscher mit Trockenpulver zu verwenden. Bei Verwendung von Flüssiglöschmitteln besteht die Gefahr eines elektrischen Schlags.

#### **5. KUNDENDIENST**

##### **WICHTIG!**

Wenn Sie den Kundendienst anrufen, halten Sie bitte unabhängig vom Problem die folgenden Informationen bereit: USV-Modell, Seriennummer und Kaufdatum.

Bitte liefern Sie eine genaue Problembeschreibung mit folgenden Einzelheiten: Art der von der USV versorgten Geräte, Status der LED-Anzeige, Alarmzustand, Aufstell- und Umgebungsbedingungen.

Sie finden die benötigten technischen Informationen auf der Garantiekarte oder auf der Datenplakette an der Rückseite des Gerätes. Wir empfehlen, die Details im folgenden Kästchen zu notieren.

<b>Modell</b>	<b>Seriennummer</b>	<b>Kaufdatum</b>
<b>X3 EX ...</b>		

! Bitte heben Sie die Originalverpackung auf. Sie benötigen diese, falls die USV an den Kundendienst eingeschickt werden muss.

##### ▪ **EG-Konformität:**



Dieses Logo bedeutet, dass dieses Produkt den EMV- und Niederspannungsrichtlinien (bzgl. Vorschriften zu Spannung und elektromagnetischen Feldern von elektrischen Geräten) sowie den RoHS-Richtlinien entspricht.

Dies ist ein USV-Produkt der Kategorie C2. In einem Wohnumfeld kann dieses Produkt Funkstörungen verursachen. Der Benutzer wird dann zusätzliche Maßnahmen ergreifen müssen (nur bei 220/230/240 VAC).

## **WICHTIG**

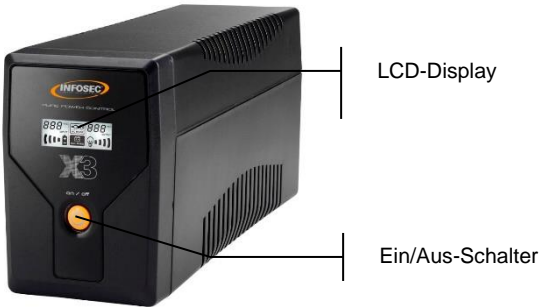


Eine USV ist eine elektronische und elektrische Anlage. Nach dem Ende ihrer Lebensdauer muss sie getrennt und sachgerecht entsorgt werden. Dieses Symbol ist ebenfalls an den mit diesem Gerät gelieferten Batterien angebracht. Es weist darauf hin, dass auch sie am Ende ihrer Lebensdauer zu der entsprechenden Stelle gebracht werden müssen.

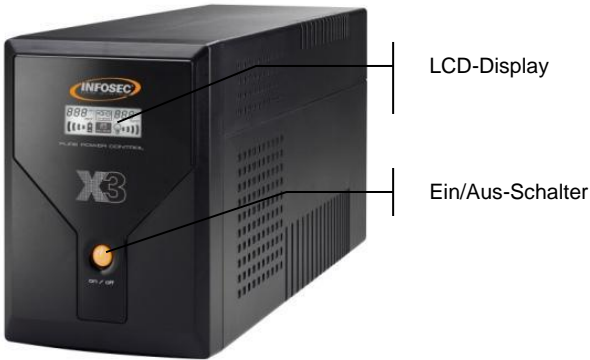
Erkundigen Sie sich beim örtlichen Recycling- oder Sondermüllzentrum nach der vorschriftsmäßigen Entsorgung der verbrauchten Batterie.

## 6. BESCHREIBUNG

### X3 EX – 500/650/800/1000 - FRONTTAFEL



### X3 EX – 1200/1600/2000/3000 - FRONTTAFEL



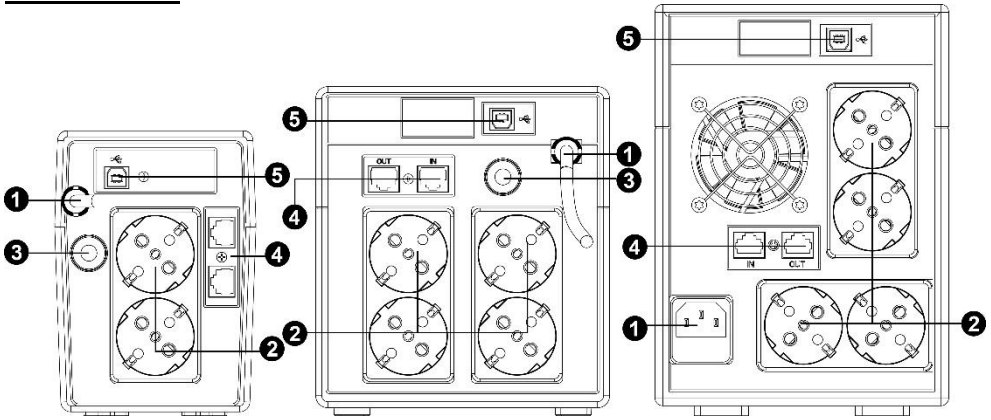
### LCD-Display



- 1 - Eingangsspannung ④
- 2 - Ausgangsspannung
- 3 - Anzeige Netzbetrieb – blinkt bei Spannungsregelung
- 4 - Anzeige Batteriebetrieb
- 5 - Lastanzeige – blinkt bei Überlastung
- 6 - Anzeige der Batteriekapazität – blinkt bei niedrigem Ladezustand



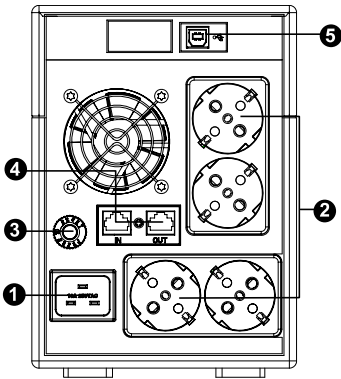
# RÜCKSEITE



X3 EX – 500/650/800/1000

X3 EX – 1200

X3 EX – 1600/2000



X3 EX – 3000

- 1 - Netzkabel
- 2 - Geschützte USV-Ausgänge\*
- 3 - Eingangslasttrenner
- 4 - Geschützte RJ11/45-Ausgänge
- 5 - USB-Kommunikationsport

\* Zur Verwendung mit FR/Schuko CEE-7-7-Steckern.

## **7. INSTALLATION UND BEDIENUNG**

### **1. Überprüfung**

Öffnen Sie beim Erhalt Ihrer Anlage die Verpackung und vergewissern Sie sich, dass die USV nicht beschädigt ist. Zum Lieferumfang gehört:

**X3 EX 500/650/800/1000:** USV-Anlage und eine Bedienungsanleitung.

**X3 EX 1200:** USV-Anlage und eine Bedienungsanleitung.

**X3 EX 1600/2000:** USV-Anlage und eine Bedienungsanleitung.

**X3 EX 3000:** USV-Anlage, Bedienungsanleitung, Eingangskabel.

### **2. Aufladen der Batterien**

Die Anlage wird ab Werk mit voll aufgeladener interner Batterie geliefert. Ein Teil der Ladung kann jedoch beim Versand verloren gehen, sodass die Batterie vor Gebrauch wieder aufgeladen werden sollte. Schließen Sie die USV-Anlage an einer geeigneten Netzsteckdose an und laden Sie sie mindestens 8 Stunden ohne Last wieder vollständig auf.

Die USV lädt ihre Batterien automatisch wieder auf, wenn sich der Schalter in Stellung „ON“ befindet. Die USV kann sofort verwendet werden; jedoch kann die Reservekapazität dann niedriger als der erforderliche Nennwert sein.

### **3. Aufstell- und Lagerungsbedingungen**

Die USV ist für den Betrieb in einer geschützten Umgebung bei Temperaturen zwischen 0 °C und 40 °C und einer Luftfeuchtigkeit zwischen 0 % und 90 % (ohne Kondensation) vorgesehen.

Verdecken Sie nicht die Belüftungsschlitze. Stellen Sie die Anlage in einer Umgebung auf, die frei von Staub, chemischen Dämpfen und leitenden Substanzen ist. Um Störungen zu vermeiden, sollten Sie die USV mindestens 20 cm von der CPU (Zentraleinheit) aufstellen.

### **4. Anschluss**

Vergewissern Sie sich anhand der Datenplakette an der Rückseite der USV, dass die Stromversorgung mit dem Stromnetz kompatibel ist und die Leistung der Anlage zum Schutz der angelegten Last ausreicht. Netzkabel der USV an einer geerdeten Netzsteckdose anschließen. Anschließend die zu schützenden Computergeräte an der Rückseite der USV anschließen.

### **5. Ein-/Ausschalten**

Drücken Sie leicht auf den Netzschalter, um die USV-Anlage einzuschalten. Zum Ausschalten drücken Sie den Netzschalter erneut. Achten Sie darauf, dass der Netzschalter in der Stellung „ON“ verbleibt. Andernfalls ist die USV ausgeschaltet und Ihre Geräte sind bei einem Stromausfall nicht geschützt.

**Hinweis:** *Zu Wartungszwecken schalten Sie die USV vor dem PC und anderen Lasten ein; schalten Sie die USV aus, nachdem Sie vorher die angeschlossenen Lasten ausgeschaltet haben.*

### **6. Gleichstrom-Start**

Die Modelle X3 EX sind mit einer integrierten Gleichstrom-Startfunktion ausgestattet. Um die USV bei fehlender Stromversorgung mit einer vollen Batterie zu starten, drücken Sie einfach die Taste.

### **7. Energiesparfunktion**

Die Modelle der Reihe X3 EX sind mit einer Energiesparfunktion ausgestattet. Sind keine Lasten an der USV angeschlossen, schaltet sie sich während eines Netzstromausfalls nach 5 Minuten aus, um Energie zu sparen. Der Netzschalter muss in Stellung „ON“ verbleiben; andernfalls bliebe die USV ausgeschaltet und Ihre Geräte wären bei einem Ausfall des Stromnetzes ungeschützt.

### **8. Anschluss von Modem/Telefon/Netzwerk zum Schutz vor Überspannung**

Schließen Sie die Modem-/Telefonleitung des Telefonanschlusses an die mit „IN“ gekennzeichnete, gegen Überspannung geschützte Buchse an der Rückseite der USV-Anlage an. Schließen Sie den Computer mit einem anderen Telefonkabel an der mit „OUT“ gekennzeichneten Buchse an.

**Achtung:** Der Telefonleitungsblitzschutz kann bei falscher Installation funktionsunfähig werden. Der Überspannungsschutz ist nur für den Gebrauch in Innenräumen vorgesehen. Telefonkabel niemals während eines Gewitters verlegen.

**Hinweis:** Der Gebrauch dieses Anschlusses ist optional.

## **8. COMPUTERSCHNITTSTELLE**

Um ein plötzliches Abschalten des Computersystems zu verhindern, schließen Sie ein USB-Kabel am Computer an. Dadurch können Sie die Software zum automatischen Herunterfahren installieren und verwenden (Kostenloser Download von der Website). Über den USB-Kommunikationsport an der Rückseite der USV kann der Computer direkt den USV-Status kontrollieren.

Die Hauptfunktionen sind:

- Übertragen eines visuellen Alarms bei einem Stromausfall
- Automatisches Schließen von Dateien, bevor die Batterieladung zur Neige geht
- Herunterfahren des Computers und der USV

Nähere Informationen finden Sie auf der Website: [www.infosec-ups.com](http://www.infosec-ups.com)

## **9. BATTERIE**

Die Batterie ist die einzige Komponente der USV, die nicht permanent in Gebrauch ist. Sie hat eine Betriebslebensdauer von ca. 3 bis 5 Jahren. Durch häufiges starkes Entladen oder Temperaturen über 20 °C wird die Lebensdauer jedoch verkürzt. Es wird daher empfohlen, die Batterie alle 3 Monate aufzuladen, wenn das Gerät nicht verwendet wird, um die natürliche Entladung zu kompensieren. Die USV-Reservezeit hängt von der angeschlossenen Last sowie vom Alter und Zustand der Batterien ab.

### ***WARNUNG!***

Die Batterien sollten stets von ausgebildeten Technikern ausgewechselt werden. Die Batterien haben einen sehr hohen Kurzschlussstrom: **Durch Anschlussfehler können elektrische Lichtbögen entstehen, die zu schweren Verbrennungen führen.**

## **10. STÖRUNGSBEHEBUNG**

Falls die USV nicht einwandfrei arbeitet, empfehlen wir, die folgenden Tests vorzunehmen, bevor Sie sich an die Hotline wenden.

### **Checkliste:**

- Steht der Hauptschalter auf „ON“?
- Ist die USV am Stromnetz angeschlossen?
- Entspricht das Stromnetz den geforderten Daten?
- Ist die Sicherung im Netzstecker durchgebrannt?
- Ist die USV überlastet?
- Ist die Batterie entladen oder defekt?

<b>PROBLEM</b>	<b>MÖGLICHE URSACHE</b>	<b>ABHILFE</b>
LEDs leuchten nicht an der Fronttafel (bzw. keine Textanzeige).	Niedrige Batterieladung	Batterie bis zu 6 Stunden aufladen.
	Batterie defekt.	Batterie durch gleichen Typ auswechseln.
	USV nicht eingeschaltet.	Netzschalter erneut drücken, um die USV einzuschalten.
Kontinuierlicher Alarmton trotz normaler Netzstromversorgung.	USV überlastet.	Kontrollieren, ob die angeschlossene Last der Kapazität der USV entspricht, die in den technischen Daten angegeben ist.
Verkürzte Reservezeit bei Stromausfall.	USV überlastet.	Unkritische Lasten entfernen.
	Batteriespannung zu niedrig.	Batterie bis zu 6 Stunden aufladen.
	Batterie wegen hoher Temperatur der Betriebsumgebung oder unsachgemäßen Gebrauchs defekt.	Batterie durch gleichen Typ auswechseln.
Batteriebetrieb trotz normaler Netzstromversorgung	Netzkabel lose.	Netzkabel richtig anschließen.

## 11. TECHNISCHE DATEN

	X3 EX-500	X3 EX-650	X3 EX-800	X3 EX-1000
<b>TECHNOLOGIE</b>				
<b>Technologie</b>	Line-Interactive-Technik			
<b>Leistung</b>	500 VA	650 VA	800 VA	1000 VA
<b>Wellenlänge</b>	Pseudosinusartige Welle			
<b>Schutz</b>	Entladung / Überladung und Überspannung + Leitungsschutz für Fax und Modem			
<b>Leistungsfaktor</b>	0,5	0,55	0,6	0,5
<b>TECHNISCHE MERKMALE</b>				
<b>Abmessungen L x T x H (mm)</b>	287 x 100 x 142			
<b>Gewicht (kg)</b>	3,95	4,25	4,9	5,2
<b>Ausgangs-Anschlüsse</b>	2 Schuko/FR-geschützte USV-Anschlüsse 1 Überspannungsgeschützte RJ11/45-Buchse (Ein-/Ausgang) 1 USB-Anschluss			
<b>EINGANGS-SPANNUNG</b>				
<b>Eingangsspannung</b>	220/230/240 V			
<b>Spannungs-Toleranz</b>	162-290 VAC			
<b>AUSGANGS-SPANNUNG (Batteriemodus)</b>				
<b>Ausgangs-Spannung</b>	220/230/240 V			
<b>Toleranz</b>	± 10 %			
<b>Frequenz</b>	50 oder 60 Hz ± 1 Hz			
<b>BATTERIE</b>				
<b>Art</b>	12V/7AH*1	12V/7AH*1	12V/9AH*1	12V/9AH*1
<b>Eigenleistung (1 PC angeschlossen)</b>	10 mn	12 mn	15 mn	15 mn
<b>Ladedauer</b>	10 Stunden bei 90 % nach vollkommener Entladung			
<b>UMGEBUNG</b>				
<b>Umgebung</b>	0° C - 40° C, 20 à 90 % Luftfeuchtigkeit			
<b>NORMEN</b>				
<b>Sicherheit / Herstellung</b>	CE RoHS			

### X3 EX 500 / 650 / 800 / 1000:

Kostenfreie Versicherung der verbundenen Ausrüstung bis zu einem Wert von 120.000 €.

Bitte lesen Sie die Geschäftsbedingungen und registrieren Sie sich binnen 10 Tagen ab Kaufdatum auf der Website: [www.infosec-ups.com](http://www.infosec-ups.com).



	<b>X3 EX-1200</b>	<b>X3 EX-1600</b>	<b>X3 EX-2000</b>	<b>X3 EX-3000</b>
<b>TECHNOLOGIE</b>				
<b>Technologie</b>	Line-Interactive-Technik			
<b>Leistung</b>	1200 VA	1600 VA	2000 VA	3000 VA
<b>Wellenlänge</b>	Pseudosinusartige Welle			
<b>Schutz</b>	Entladung / Überladung und Überspannung + Leitungsschutz für Fax und Modem			
<b>Leistungsfaktor</b>	0,5	0,55	0,6	0,6
<b>TECHNISCHE MERKMALE</b>				
<b>Abmessungen L x T x H (mm)</b>	350 x 146 x 160		397 x 145 x 205	
<b>Gewicht (kg)</b>	8	11,1	12,5	15,2
<b>Ausgangs- Anschlüsse</b>	4 Schuko/FR-geschützte USV-Anschlüsse 1 Überspannungsgeschütz- te RJ11/45-Buchse (Ein- /Ausgang) 1 USB-Anschluss		4 Schuko/FR-geschützte USV-Anschlüsse 1 Überspannungsgeschützte RJ11/45-Buchse (Ein-/Ausgang) 1 USB-Anschluss	
<b>EINGANGS-SPANNUNG</b>				
<b>Eingangsspannung</b>	220/230/240 V			
<b>Spannungs-Toleranz</b>	162-290 VAC			
<b>AUSGANGS-SPANNUNG (Batteriemodus)</b>				
<b>Ausgangs-Spannung</b>	220/230/240 V			
<b>Toleranz</b>	± 10 %			
<b>Frequenz</b>	50 oder 60 Hz ± 1 Hz			
<b>BATTERIE</b>				
<b>Art</b>	12V/7AH*2	12V/9AH*2	12V/9AH*2	12V/10AH*2
<b>Eigenleistung (1 PC angeschlossen)</b>	30 mn	40 mn	50 mn	1h15 min.
<b>Ladedauer</b>	10 Stunden bei 90 % nach vollkommener Entladung			
<b>UMGEBUNG</b>				
<b>Umgebung</b>	0° C - 40° C, 20 à 90 % Luftfeuchtigkeit			
<b>NORMEN</b>				
<b>Sicherheit / Herstellung</b>	CE RoHS			



### **X3 EX 1200/1600/2000/3000:**

Kostenfreie Versicherung der verbundenen Ausrüstung bis zu einem Wert von 150.000 €. Bitte lesen Sie die Geschäftsbedingungen und registrieren Sie sich binnen 10 Tagen ab Kaufdatum auf der Website: [www.infosec-ups.com](http://www.infosec-ups.com).



# Guía de usuario

Para asegurarse de que este producto se instala y se usa correctamente, le recomendamos que lea con mucha atención esta guía de usuario.

## **1. INTRODUCCIÓN**

La línea X3 EX está formada por unidades UPS de alto desempeño conectadas directamente a la PC mediante un puerto USB. El UPS está Auto Regulado para proporcionar un suministro de energía balanceado y ofrecer protección completa para sus servidores y periféricos conectados en caso de interrupción o fluctuación de corriente. Si la corriente falla debido a una interrupción o una sobrecarga de energía, o a una descarga momentánea de voltaje, el UPS transferirá rápidamente a su equipo de cómputo a una fuente de alimentación de energía alterna. Esto le permitirá hacer un respaldo, cerrar su(s) programa(s) y apagar el sistema de manera adecuada. En condiciones normales de suministro de energía, su equipo X3 EX mantendrá su recarga de batería de manera continua, lo que será completamente invisible durante todas sus operaciones. En otras palabras, este tipo de fuente multifuncional de suministro de energía simplificará sus tareas. Usted será capaz de verificar su estatus de operación muy fácilmente así como su nivel de carga usando los LED o la pantalla de cristal líquido. Este UPS de alta tecnología le asegura que su equipo de cómputo tendrá un suministro de energía adecuado y seguro. Las características principales de la línea X3 EX se detallan más abajo.

## **2. CARACTERÍSTICAS PRINCIPALES**

- Control del microprocesador altamente confiable
- Regulador automático de salida de voltaje (RAV)
- Puerto interconstruido de comunicación USB
- Regulación y homogeneización del voltaje de entrada
- Característica de arranque en frío si no hay suministro de energía
- Modo de carga mientras está apagado
- Función de Ahorro Ecológico de energía
- Función de reinicio automático al reiniciarse la CA
- Tamaño compacto, ligero
- Protección para el teléfono, módem o red (conexión RJ45)

## **3. INSTRUCCIONES DE SEGURIDAD**

### **¡IMPORTANTE!**

Guarde este manual correctamente y lea atentamente las siguientes instrucciones antes de instalar la unidad. No utilice esta unidad antes de leer toda la información de seguridad y las instrucciones de funcionamiento atentamente. La instalación y tendido del cableado deben realizarse de acuerdo con la legislación y las normativas eléctricas locales. La instalación y conexión del sistema UPS de forma que incumpla las prácticas aceptadas exonera a Infosec Communication de cualquier responsabilidad.

#### **▪ Transporte**

1. Transporte el sistema UPS únicamente en el embalaje original para protegerlo frente a golpes e impactos.

#### **▪ Preparación y disposiciones correctas del dispositivo:**

1. Puede ocurrir condensación si se traslada el sistema UPS directamente desde un entorno frío a un entorno caliente. El sistema UPS debe estar completamente seco antes de la instalación. Permita que transcurran al menos dos horas para que el sistema UPS se aclimate al entorno.
2. No instale el sistema UPS cerca de agua ni en entornos con humedad.
3. No instale el sistema UPS en un lugar en el que esté expuesto a la luz solar directa o cerca de fuentes de calor.
4. No bloquee las rejillas de aire en la carcasa del UPS. El UPS debe instalarse en una ubicación con ventilación adecuada. Asegúrese de que existe espacio suficiente en cada lado para garantizar la ventilación.
5. La salida de la red eléctrica que alimenta al UPS debe colocarse cerca del UPS y debe tener fácil acceso.
6. Coloque el UPS en una sala con control de humedad y temperatura, libre de interferencias de conducción.
7. Desconecte el UPS de la alimentación AC y apáguelo antes de limpiarlo con un paño húmedo (sin productos de limpieza).
8. No deje ningún recipiente con líquido sobre o cerca del UPS.
9. Coloque los cables de forma que ninguna persona pueda tropezar con ellos o pisarlos.
10. Evite la introducción de líquidos u otros objetos extraños en el interior del sistema UPS

▪ **Riesgo de descarga eléctrica:**

1. La unidad UPS utiliza tensiones potencialmente peligrosas. No intente desmontar este equipo ya que no contiene componentes accesibles que los usuarios puedan reparar, excepto el cambio de fusibles.
2. Precaución: riesgo de descarga eléctrica. El circuito de la batería no está aislado de la tensión de entrada. Pueden ocurrir tensiones peligrosas entre los terminales de la batería y tierra. Antes de tocar cualquier componente, verifique que no haya ninguna tensión presente.
3. El sistema UPS funciona con tensiones peligrosas. Las reparaciones solo pueden ser realizadas por personal de mantenimiento cualificado.
4. La salida de la alimentación eléctrica debe estar cerca del equipo y debe tener fácil acceso. Para aislar el UPS de una entrada AC y apagarlo, retire el enchufe de la salida de la alimentación eléctrica.
5. No desconecte el cable de red en el sistema UPS o el enchufe del cableado del edificio (enchufe antichoque con conexión a tierra) durante las operaciones, ya que esto cancelaría la conexión a tierra de protección del sistema UPS y de todas las cargas conectadas.
6. El UPS dispone de su propia fuente de alimentación interna (batería). Hay riesgo de que las tomas de salida puedan estar todavía activas después de desconectar el UPS de la red eléctrica.
7. En caso de emergencia, conmute el UPS a la posición "Off" y desconecte la unidad de la fuente de alimentación AC.
8. Si el UPS no funcionara correctamente consulte la sección: "**detección y corrección de problemas**" y llame al servicio de atención al cliente.
9. Debe comprobarse la conexión equipotencial a tierra con banco de baterías, si procede

▪ **Productos conectados:**

1. La corriente de fugas combinada del UPS y los equipos conectados no debe superar 3,5 mA.



2. Asegúrese de que la carga conectada no supere las posibilidades del UPS. Para asegurar la mejora del tiempo de autonomía y una mayor vida útil de la batería, recomendamos una carga equivalente de 1/3 de la potencia nominal.
3. No conecte equipos o dispositivos que puedan sobrecargar el UPS (por ejemplo, equipos motorizados de gran tamaño) a las tomas de salida o al terminal del UPS.
4. No conecte la entrada del UPS a su propia toma de salida.
5. No conecte el UPS a una unidad de distribución de energía o a un protector contra sobretensiones.
6. El UPS se ha diseñado para los ordenadores personales. No debe utilizarse con equipos electrónicos o eléctricos con cargas inductivas como motores o luces fluorescentes.
7. No conecte al UPS ningún otro equipo doméstico como microondas, aspiradoras, secadores de pelo o sistemas de soporte activos.
8. Debido al excesivo consumo, no deben conectarse impresoras láser al UPS.
9. Sustituya el fusible únicamente por otro fusible del mismo tipo y amperaje para evitar peligros de incendio.
10. Utilice enchufes CEE 7/7 exclusivamente

▪ **Acerca de las baterías:**

1. Se recomienda que un técnico cualificado cambie la batería.
2. Antes de realizar cualquier tipo de servicio o mantenimiento, desconecte las baterías y verifique que no haya corriente presente y que no exista ninguna tensión peligrosa activa en los terminales de los condensadores de alta capacidad, como por ejemplo los condensadores de BUS.
3. No tire la batería al fuego ya que ésta podría explotar.
4. **¡No abra o dañe la batería!** El electrolito, fundamentalmente ácido sulfúrico, puede ser tóxico y dañino para la piel y los ojos. Si entra en contacto con el electrolito, lávese con abundante agua y lave las prendas de vestir manchadas de electrolito.
5. No tire la batería al fuego ya que ésta podría explotar. Deberá desecharse por separado al final de su vida útil. Consulte la legislación y las normativas locales.
6. El UPS contiene una o dos baterías de gran capacidad. Para evitar cualquier peligro de descarga eléctrica, no las abra. Si una batería necesitara mantenimiento o tuviera que sustituirse, póngase en contacto con el distribuidor.
7. El mantenimiento debe realizarse o supervisarse por el personal adecuado que tomará las precauciones necesarias. No permita que el personal sin autorización acceda a las baterías.
8. Una batería puede presentar riesgo de descarga eléctrica y provocar cortocircuitos. El personal cualificado debe cumplir las siguientes medidas de precaución:
  - ✓ Retirar de sus manos relojes, anillos u otros objetos de metal.
  - ✓ Usar herramientas con manijas aisladas.
  - ✓ Desconectar la fuente de carga antes de conectar o desconectar los terminales de la batería.
  - ✓ Al sustituir las baterías, use el mismo tipo y número de baterías de plomo selladas.

#### **4. INSTRUCCIONES DE ALMACENAMIENTO**

El sistema ininterrumpido de potencia (UPS) debe almacenarse con sus baterías totalmente recargadas. Se deben evitar temperaturas por encima de 20°C ya que esto podría acortar la vida de la batería. El sistema ininterrumpido de potencia (UPS) debe recargarse una vez cada 3 meses. Esto se hace dejándolo conectado a la red eléctrica durante 24 horas. Las baterías almacenadas deben recargarse cada 3 meses ya que si no se hace esto se podrían dañar.

No guarde o use el sistema ininterrumpido de potencia (UPS) en ninguno de los siguientes entornos:

- ✓ Áreas con gas combustible, sustancias corrosivas o polvorientas.
- ✓ Áreas excesivamente frías o calientes (por encima de 40°C o por debajo de 0°C) y con grado de humedad de más del 90%.
- ✓ Áreas expuestas a la luz solar directa o cerca de cualquier aparato de calefacción.
- ✓ Áreas sujetas a mayor vibración.
- ✓ Exterior.

En caso de fuego en las proximidades, use el extintor de polvo seco. El uso de extintores de líquido podría dar lugar a peligro de descarga eléctrica.

## **5. SERVICIO POST-VENTA**

### **¡IMPORTANTE!**

Cuando avise al Departamento Post-Venta, tenga preparada la siguiente información ya que se le requerirá independientemente del problema: Modelo del sistema ininterrumpido de potencia (UPS), número de serie y fecha de compra.

De una descripción precisa del problema suministrando los siguientes detalles: tipo de equipo alimentado por el sistema ininterrumpido de potencia (UPS), estado del led indicador, estado de la alarma, condiciones de instalación y ambientales.

Encontrará la información técnica que necesita en su garantía o en la placa de identificación en la parte trasera de la unidad. Si fuera conveniente puede introducir los detalles en la siguiente tabla.

<b>Modelo</b>	<b>Número de Serie</b>	<b>Fecha de compra</b>
<b>X3 EX ...</b>		

! Guarde el embalaje original. Se le pedirá en el caso de que se devuelva el sistema ininterrumpido de potencia (UPS) al Departamento de Post-Venta.

#### ▪ **Conformidad CE:**



Este logotipo significa que este producto cumple las normas EMC y LVD (en relación con la normativa sobre tensión de equipos eléctricos y los campos electromagnéticos) y cumple las directivas RoHS.

Esta unidad UPS es producto de categoría C2. En un entorno residencial, este producto puede ocasionar interferencias de radio y tal vez se necesiten medidas adicionales (solo para 220/230/240 VCA).

### **¡IMPORTANTE**



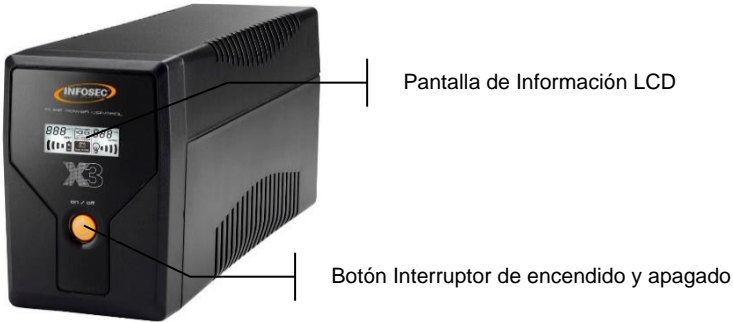
Un UPS pertenece a la categoría de equipos eléctricos y electrónicos. Al final de su vida útil debe desecharse por separado y de forma apropiada.

Este símbolo también se fija a las baterías suministradas con este dispositivo, e indica que también deben desecharse en un lugar apropiado al final de su vida útil.

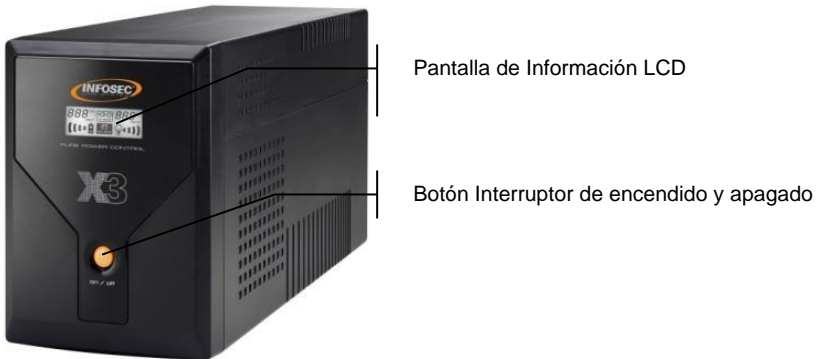
Póngase en contacto con su centro de reciclaje o tratamiento de residuos peligrosos local para obtener información sobre la eliminación correcta de la batería usada.

## 6. DESCRIPCIÓN

### X3 EX – 500/650/800/1000 - PANEL DELANTERO



### X3 EX – 1200/1600/2000/3000 FRONT PANEL

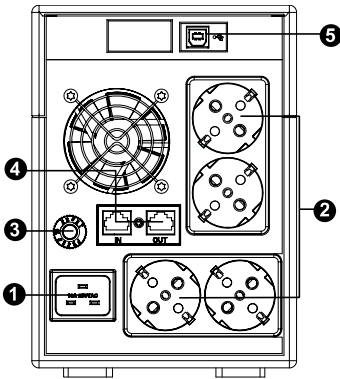
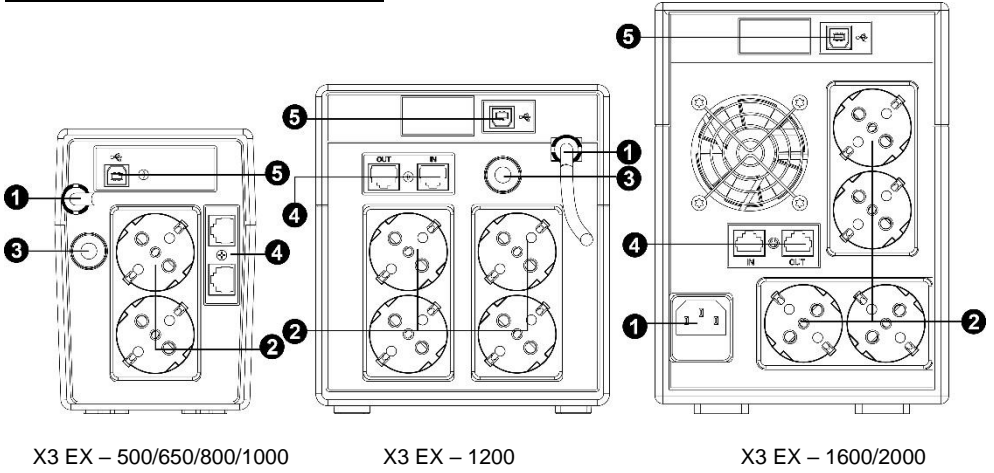


### Pantalla de Información LCD



- 1 – Voltaje de entrada
- 2 – Voltaje de salida
- 3 – Indicador de modo CA - la luz intermitente indica cuando la regulación de voltaje
- 4 – Indicador de modo de batería
- 5 – Nivel de carga, la luz intermitente indica sobrecarga
- 6 – Indicador de la capacidad de la batería, la luz intermitente indica batería baja

## X3 EX - PANEL TRASERO



X3 EX - 3000

- 1 - Cable de entrada CA
- 2 - Conexiones UPS protegidas\*
- 3 - Disyuntor de entrada
- 4 - Conexiones RJ11 y RJ45 protegidas
- 5 - Puerto de comunicación USB

*\*Para utilizar con enchufes CEE/7-7 FR/Schuko*

## **7. INSTALACIÓN Y FUNCIONAMIENTO**

### **1. Comprobación**

Cuando reciba su equipo, abra el embalaje y compruebe que su sistema ininterrumpido de potencia (UPS) no ha sido dañado. El embalaje incluye:

**X3 EX 500/650/800/1000:** Unidad UPS y una guía para el usuario.

**X3 EX 1200:** Unidad UPS y una guía para el usuario.

**X3 EX 1600/2000:** Unidad UPS y una guía para el usuario.

**X3 EX 3000:** Unidad UPS, una guía de usuario, cable de entrada.

### **2. Carga de las baterías**

Esta unidad se envía desde la fábrica con su batería interna totalmente cargada, sin embargo, puede que se haya perdido alguna carga durante el envío y la batería deberá recargarse antes de su uso. Conecte la unidad a una fuente de alimentación adecuada y deje al sistema ininterrumpido de potencia (UPS) cargarse totalmente dejándolo conectado, sin carga, durante al menos 8 horas.

El sistema ininterrumpido de potencia (UPS) recargará automáticamente sus propias baterías siempre que el interruptor esté en la posición "ON". Podrá utilizar el sistema ininterrumpido de potencia (UPS) de forma inmediata aunque la capacidad de autonomía de la alimentación puede ser más baja que el valor nominal requerido.

### **3. Dónde instalarlo**

El sistema ininterrumpido de potencia (UPS) ha sido diseñado para funcionar en un ambiente protegido, a temperaturas de entre 0°C y 40°C y con rangos de humedad entre 0% y 90% (sin condensación).

No obstruya las ranuras de ventilación. Instale la unidad en un entorno que esté libre de polvo, de vapores químicos y conductores. Además, para evitar cualquier interferencia, mantenga el sistema ininterrumpido de potencia (UPS) al menos 20 cm de distancia de la CPU (unidad central de proceso).

### **4. Conexión**

Compruebe en la placa de identificación de la parte trasera del sistema ininterrumpido de potencia (UPS) que la fuente de alimentación es compatible con la tensión de la red y que el dispositivo es suficientemente efectivo para proteger la carga de potencia suministrada. Enchufe el sistema ininterrumpido de potencia (UPS) en una conexión de dos polos conectada a tierra. Luego conecte los dispositivos de su computadora a la parte posterior del sistema ininterrumpido de potencia (UPS).

### **5. Apagado/Encendido**

Para encender el sistema ininterrumpido de potencia (UPS), presione ligeramente el interruptor de encendido. Para apagarlo, presione el interruptor nuevamente. Asegúrese de que el interruptor de encendido se mantiene en la posición "on", de lo contrario el sistema ininterrumpido de potencia (UPS) se deshabilitará y su equipo no estará protegido en caso de fallo de la alimentación.

**Nota:** *Para propósitos de mantenimiento, encienda el sistema ininterrumpido de potencia (UPS) antes del PC y otras cargas, y apáguelo después de apagar las cargas conectadas.*

### **6. Arranque DC**

Las unidades X3 EX están equipadas con una función integrada de arranque DC. Para arrancar el sistema ininterrumpido de potencia (UPS) en ausencia de suministro de alimentación y con una batería totalmente cargada, presione el botón.

### **7. Función de Ahorro de Energía**

La gama X3 EX está equipada con una Función de Ahorro de Energía. Si no se conecta ninguna carga al sistema ininterrumpido de potencia (UPS), se cortará automáticamente después de 5 minutos para ahorrar energía durante un fallo de la alimentación. El interruptor

de encendido debe estar en la posición 'ON', de lo contrario el sistema ininterrumpido de potencia (UPS) será deshabilitado y su equipo no será protegido durante el fallo de la alimentación.

### **8. Conexión de Módem, Teléfono o Red para protección de sobrecargas de energía**

Conecte una línea de módem o teléfono a la conexión de "ENTRADA" en la parte trasera del sistema ininterrumpido de potencia (UPS). Conecte a una conexión de "SALIDA" de la computadora con otra línea telefónica.

**Precaución:** La protección contra descargas eléctricas al teléfono puede estar sin funcionar si se instala inadecuadamente. La protección contra descargas eléctricas solamente es para uso interior. Nunca instale una línea telefónica durante una tormenta eléctrica.

**Nota:** Esta conexión es opcional.

## **8. INTERFAZ DE LA COMPUTADORA**

Para prevenir una desconexión abrupta del sistema de cómputo, conecte el cable USB a su computadora. A continuación usted puede instalar y usar el programa de desconexión automática (Puede hacer la descarga sin costo desde el sitio web).

El Puerto de comunicación USB en la parte de atrás del sistema ininterrumpido de potencia (UPS) le permite a la computadora controlar el estatus del sistema ininterrumpido de potencia (UPS) de manera directa.

Las funciones principales son las siguientes:

- Transmisión de una alarma visual en caso de una falla de energía eléctrica
- Cierre automático de archivos antes de que se agote la batería
- Apagado automático de la computadora y del sistema ininterrumpido de potencia (UPS)

Para disponer de más información, vaya a la web : [www.infosec-ups.com](http://www.infosec-ups.com)

## **9. BATERÍA**

La batería es el único componente del sistema ininterrumpido de potencia (UPS) que no está en uso permanente. Dispone de un tiempo de vida de aproximadamente de 3 a 5 años. Sin embargo, si se somete a descargas mayores o a la exposición de temperaturas por encima de 20°C se acortará su vida útil. Por lo tanto, recomendamos que los usuarios recarguen la batería una vez cada 3 meses cuando la unidad no esté en uso para compensar la descarga natural. El tiempo de autonomía del sistema ininterrumpido de potencia (UPS) dependerá de la carga alimentada, además de la antigüedad y del estado de las baterías.

### ***ADVERTENCIA!***

Las baterías deben retirarse siempre por técnicos cualificados. Las baterías tienen una corriente de cortocircuito muy alta. **los errores de conexión podrían causar arcos eléctricos y provocar quemaduras serias.**

## **10. LOCALIZACIÓN DE AVERÍAS**

Si el sistema ininterrumpido de potencia (UPS) no funcionara correctamente le recomendamos realizar las siguientes pruebas antes de llamar a la Línea de Atención al Cliente.

### **Lista de control:**

- Está el interruptor principal en la posición "ON"?
- Está el sistema ininterrumpido de potencia (UPS) conectado a la red eléctrica?

- Está la fuente de alimentación dentro de los valores de unidad especificados?
- El fusible ha desaparecido de la toma de la red eléctrica?
- Está sobrecargado el sistema ininterrumpido de potencia (UPS)?
- Está descargada la batería o defectuosa?

<b>PROBLEMA</b>	<b>POSIBLE CAUSA</b>	<b>SOLUCIONES</b>
Panel frontal sin LED (o apagado).	Batería baja	Cargue la batería hasta por 6 horas.
	Batería defectuosa.	Reemplace con el mismo tipo de batería.
	El sistema ininterrumpido de potencia (UPS) está apagado.	Presione el botón de encendido para encender el sistema ininterrumpido de potencia (UPS).
Alarma sonando de forma continua cuando la corriente es normal.	Sobrecarga del sistema ininterrumpido de potencia (UPS).	Verifique que la alimentación corresponde a la capacidad estipulada en las especificaciones del sistema ininterrumpido de potencia (UPS).
El tiempo de respaldo disminuye en caso de falla en el suministro de energía.	Sobrecarga del sistema ininterrumpido de potencia (UPS).	Elimine alguna carga que no sea importante.
	El voltaje de la batería es demasiado bajo.	Cargue la batería por 6 horas.
	Defecto de la batería debido a la alta temperatura de operación del ambiente o al manejo inadecuado de la batería.	Reemplace con el mismo tipo de batería.
El suministro de energía es normal pero la unidad está en modo de batería.	Cable para conectar a la corriente flojo.	Conecte el cable de corriente adecuadamente.

## 11. ESPECIFICACIONES TÉCNICAS

	X3 EX-500	X3 EX-650	X3 EX-800	X3 EX-1000
<b>TECNOLOGÍA</b>				
<b>Tecnología</b>	Interactiva en Línea con regulación automática de tensión (AVR)			
<b>Potencia</b>	500 VA	650 VA	800 VA	1000 VA
<b>Señal de salida</b>	Señal sinusoidal modificada			
<b>Protección</b>	Protección contra cargas, descargas, cortocircuitos y sobrecargas + protección de la línea de fax / modem			
<b>Factor de potencia</b>	0,5	0,55	0,6	0,5
<b>CARACTERÍSTICAS FÍSICAS</b>				
<b>Dimensiones</b> DxWxH (mm)	287 x 100 x 142			
<b>Peso kg</b>	3,95	4,25	4,9	5,2
<b>Conectores de salida</b>	2 tomacorrientes CEE 7/7 o tomacorrientes franceses protegidos para sistema ininterrumpido de potencia (UPS) 1 conector protegido RJ11/45 (entrada, salida) 1 puerto USB			
<b>ENTRADA</b>				
<b>Tensión</b>	220/230/240 V			
<b>Rango de tensión</b>	162-290 VAC			
<b>SALIDA</b>				
<b>Tensión</b>	220/230/240 V			
<b>Rango de tensión</b>	± 10 %			
<b>Frecuencia</b>	50 o 60 Hz ± 1 Hz (detección automática)			
<b>BATERÍA</b>				
<b>Tipo</b>	12V/7AH*1	12V/7AH*1	12V/9AH*1	12V/9AH*1
<b>Tiempo de autonomía</b> (1 PC conectada)	10 min.	12 min.	15 min.	15 min.
<b>Tiempo de recarga</b>	10 horas hasta el 90 % después de la descarga completa			
<b>ENTORNO</b>				
<b>Entorno de funcionamiento</b>	0° C -40° C, 0 a 90 % de grado de humedad (sin condensación)			
<b>ESTÁNDARES</b>				
<b>Seguridad / Estándar</b>	CE RoHS			



### X3 EX 500 / 650 / 800 / 1000:

Seguro gratuito de hasta un valor de 120.000 € del equipo conectado.

Lea las condiciones y regístrese durante los 10 días posteriores a la compra en el sitio Web: [www.infosec-ups.com](http://www.infosec-ups.com).



	X3 EX-1200	X3 EX-1600	X3 EX-2000	X3 EX-3000
<b>TECNOLOGÍA</b>				
<b>Tecnología</b>	Interactiva en Línea con regulación automática de tensión (AVR)			
<b>Potencia</b>	1200 VA	1600 VA	2000 VA	3000 VA
<b>Señal de salida</b>	Señal sinusoidal modificada			
<b>Protección</b>	Protección contra cargas, descargas, cortocircuitos y sobrecargas + protección de la línea de fax / modem			
<b>Factor de potencia</b>	0,5	0,55	0,6	0,6
<b>CARACTERÍSTICAS FÍSICAS</b>				
<b>Dimensiones DxWxH (mm)</b>	350 x 146 x 160	397 x 145 x 205		
<b>Peso kg</b>	8	11,1	12,5	15,2
<b>Conectores de salida</b>	4 tomacorrientes CEE 7/7 o tomacorrientes franceses protegidos para sistema ininterrumpido de potencia (UPS) 1 conector protegido RJ11/45 (entrada, salida) 1 puerto USB	4 tomacorrientes CEE 7/7 o tomacorrientes franceses protegidos para sistema ininterrumpido de potencia (UPS) 1 conector protegido RJ11/45 (entrada, salida) 1 puerto USB		
<b>ENTRADA</b>				
<b>Tensión</b>	220/230/240 V			
<b>Rango de tensión</b>	162-290 VAC			
<b>SALIDA</b>				
<b>Tensión</b>	220/230/240 V			
<b>Rango de tensión</b>	± 10 %			
<b>Frecuencia</b>	50 o 60 Hz ± 1 Hz (detección automática)			
<b>BATERÍA</b>				
<b>Tipo</b>	12V/7AH*2	12V/9AH*2	12V/9AH*2	12V/10AH*2
<b>Tiempo de autonomía (1 PC conectada)</b>	30 min.	40 min.	50 min.	1h15 min.
<b>Tiempo de recarga</b>	10 horas hasta el 90 % después de la descarga completa			
<b>ENTORNO</b>				
<b>Entorno de funcionamiento</b>	0° C -40° C, 0 a 90 % de grado de humedad (sin condensación)			
<b>ESTÁNDARES</b>				
<b>Seguridad / Estándar</b>	CE RoHS			



### X3 EX 1200/1600/2000/3000:

Seguro gratuito de hasta un valor de 150.000 € del equipo conectado.

Lea las condiciones y regístrese durante los 10 días posteriores a la compra en el sitio Web: [www.infosec-ups.com](http://www.infosec-ups.com).



# Manual do Utilizador

Para garantir a correcta instalação e utilização deste produto, recomendamos vivamente que leia cuidadosamente este manual

## **1. INTRODUÇÃO**

A gama X3 EX é composta por unidades UPS de elevado desempenho com ligação directa ao computador através de uma porta USB. A UPS é autogerida para proporcionar uma potência de saída equilibrada e oferece uma protecção completa aos seus servidores e respectivos periféricos em caso de cortes de energia ou de flutuações. Se ocorrer uma falha de corrente devido a cortes de energia, picos de corrente ou sobretensão transiente, a UPS transfere rapidamente o seu equipamento informático para uma fonte de alimentação alternativa. Isto permite-lhe realizar cópias de segurança, fechar o(s) programa(s) e encerrar correctamente o sistema. Em condições normais de alimentação de energia, a X3 EX manterá a sua carga de bateria continuamente para se tornar completamente transparente durante todas as suas operações. Por outras palavras, este tipo de fonte de alimentação multifuncional ininterrupta irá simplificar as suas tarefas. Através do LED ou visor LCD será possível verificar facilmente o estado operacional bem como o seu nível de carga. Esta UPS de alta tecnologia garante que o seu equipamento informático tem uma alimentação de energia adequada e fiável. As principais características da gama X3 EX encontram-se descritas abaixo.

## **2. PRINCIPAIS CARACTERÍSTICAS**

- Um controlo por microprocessador altamente fiável
- Regulador automático de tensão de saída (AVR)
- Porta de comunicação USB incorporada
- Regulação de tensão de entrada e normalização
- Função de arranque a frio em caso de ausência de alimentação
- Carregamento em modo Desligado
- Função Energia Verde para poupança de energia
- Rearranque automático durante o restabelecimento da alimentação CA
- Dimensão compacta, leve
- Protecção contra picos de corrente na linha telefónica/modem ou rede (conectores RJ45)

## **3. INSTRUÇÕES DE SEGURANÇA**

### **IMPORTANTE!**

Guardar corretamente este manual e ler cuidadosamente as seguintes instruções antes de instalar a unidade. Não operar esta unidade antes de ler cuidadosamente todas as informações de segurança e instruções de operação. A instalação e cablagem devem ser executadas de acordo com os regulamentos e leis elétricas locais. A instalação e conexão do sistema UPS de forma contrária às práticas aceites exonera a Infosec Communication de qualquer responsabilidade.

### **▪ Transporte**

1. Transportar o sistema UPS apenas na embalagem original, de modo a proteger contra choques e impactos.

### **▪ Preparação e eliminação correcta do aparelho:**

1. Pode ocorrer condensação caso o sistema UPS seja movido directamente de um ambiente frio para um ambiente quente. O sistema UPS deve estar totalmente seco

antes de ser instalado. Aguardar pelo menos duas horas para que o sistema UPS se aclimatize ao ambiente.

2. Não instalar o sistema UPS junto a água ou em ambientes húmidos.
3. Não instalar o sistema UPS onde este possa estar exposto à luz solar direta ou perto de aquecedores.
4. Não bloquear as saídas de ar na carcaça da UPS. A UPS tem de ser instalada num local com boa ventilação. Garantir espaço suficiente de cada lado para a ventilação.
5. A tomada da rede elétrica que alimenta a UPS deve estar localizada próximo da UPS e deve ser de acesso fácil.
6. Instalar a UPS num espaço com temperatura e humidade controladas, livre de interferências condutoras.
7. Desconectar a UPS da alimentação CA e desligá-la antes de a limpar com um pano húmido (sem detergentes).
8. Não deixar nenhum recipiente com líquidos sobre a UPS ou próximo desta.
9. Colocar os cabos de modo que ninguém calque ou tropece nos mesmos.
10. Evitar a presença de fluidos ou outros objetos estranhos no interior do sistema UPS

#### ▪ **Risco de choque elétrico:**

1. A unidade UPS utiliza tensões potencialmente perigosas. Não tentar desmontar este equipamento, porque não contém componentes acessíveis que possam ser reparados pelos utilizadores, exceto a mudança de fusíveis.
2. Cuidado — risco de choque elétrico. O circuito da bateria não está isolado da tensão de entrada. Podem ocorrer potências perigosas entre os terminais da bateria e a terra. Antes de tocar, verificar que não está presente nenhuma tensão!
3. O sistema UPS opera com tensões perigosas. As reparações apenas devem ser executadas por pessoal de manutenção qualificado.
4. A tomada da rede elétrica deve encontrar-se próxima do equipamento e ser de acesso fácil. Para isolar a UPS da entrada CA e desligá-la, retirar a ficha da tomada da rede elétrica.
5. Não desconectar o cabo de alimentação elétrica no sistema UPS ou a tomada de cabos do edifício (tomada da rede elétrica à prova de choque com ligação à terra) durante as operações, uma vez que isto anularia a ligação à terra protetora do sistema UPS e de todas as cargas conectadas.
6. A UPS possui a sua própria fonte de alimentação interna (bateria). Existe o risco de as tomadas de saída ainda se encontrarem sob tensão depois de a UPS ter sido desconectada da alimentação da rede elétrica.
7. Em caso de emergência, colocar a UPS na posição "OFF" e desconectar a unidade da alimentação CA.
8. Se a UPS se encontrar fora de serviço, consultar a secção: "**Resolução de problemas**" e ligar para a linha de assistência.
9. A ligação à terra equipotencial deve ser verificada com o banco de baterias externo, caso esteja disponível

#### ▪ **Produtos conectados:**

1. A corrente de fuga combinada da UPS e do equipamento conectado não deverá exceder os 3,5 mA.
2. Assegurar que a carga conectada não excede a capacidade da UPS. Para assegurar uma autonomia melhorada e uma vida mais longa da bateria, recomendamos uma carga equivalente a 1/3 da potência nominal.
3. Não conectar eletrodomésticos ou aparelhos que possam sobrecarregar a UPS (p. ex., equipamento de tipo de motor grande) às tomadas de saída da UPS ou ao terminal.

4. Não ligar a entrada UPS à própria tomada de saída.
5. Não ligar a UPS a uma extensão ou a um supressor de sobretensão.
6. A UPS foi concebida para computadores pessoais. Não deverá ser utilizada com equipamento eléctrico ou electrónico com cargas indutoras, tais como motores ou iluminação fluorescente.
7. Não conectar eletrodomésticos, tais como micro-ondas, aspiradores, secadores de cabelo ou sistemas de suporte de vida à UPS.
8. Impressoras a laser não deverão ser conectadas à UPS devido ao seu consumo excessivo.
9. Substituir os fusíveis apenas por fusíveis do mesmo tipo e amperagem para evitar o perigo de incêndio.
10. Usar apenas tomadas CEE 7/7

▪ **Acerca da bateria:**

1. Recomenda-se a substituição da bateria por um técnico qualificado.
2. Antes de executar qualquer tipo assistência ou manutenção, desconectar as baterias e verificar que não existe nenhuma corrente, bem como nenhuma tensão perigosa nos terminais de condensador de elevada capacidade, tais como condensadores BUS.
3. Não deitar a bateria no fogo, dado que poderá explodir.
4. **Não abrir nem danificar a bateria!** O eletrólito, fundamentalmente ácido sulfúrico, poder ser tóxico e nocivo para a pele e os olhos. Se se entrar em contacto com o ácido sulfúrico, lavar abundantemente com água e limpar a roupa suja.
5. Não atirar a bateria para o fogo. Esta poderá explodir. No final da sua vida útil, a bateria tem de ser eliminada em separado. Consultar a legislação e os regulamentos locais.
6. A UPS contém uma ou duas baterias de grande capacidade. Para evitar qualquer perigo de choque eléctrico, não abrir a(s) bateria(s). Se uma bateria necessitar de assistência ou tiver de ser substituída, contactar o distribuidor.
7. A assistência deverá ser realizada ou supervisionada por pessoal competente, que toma as precauções necessárias. Manter o pessoal não autorizado afastado das baterias.
8. Uma bateria pode representar um risco de choque eléctrico e causar curto-circuitos. As precauções seguintes deverão ser observadas pelo técnico qualificado:
  - ✓ Retirar relógios, anéis ou outros objetos metálicos das mãos.
  - ✓ Utilizar ferramentas com pegadas isoladas.
  - ✓ Desconectar a fonte de carga antes de conectar ou desconectar os terminais da bateria.
  - ✓ Na substituição das baterias, utilizar o mesmo tipo e número de baterias de chumbo-ácido seladas.

#### **4. INSTRUÇÕES DE ARRUMAÇÃO**

A UPS deverá ser arrumada com a sua bateria totalmente recarregada. As temperaturas de armazenamento acima de 20°C deverão ser evitadas porque isso reduzirá significativamente a vida da bateria. A UPS deverá ser recarregada de três em três meses. Isto realiza-se deixando-a ligada à tomada de parede durante 24 horas. As baterias arrumadas deverão ser recarregadas de três em três meses e caso isso não seja efectuado, poderão danificar-se.

Não guardar nem utilizar a UPS nos seguintes ambientes:

- ✓ Áreas com gás combustível, substâncias corrosivas ou pó denso.
- ✓ Áreas com temperaturas excessivamente elevadas ou baixas (superiores a 40°C ou inferiores a 0°C) e humidade superior a 90%.
- ✓ Área expostas a luz solar directa ou próximo de qualquer aquecedor.
- ✓ Áreas sujeitas as vibrações elevadas.
- ✓ No exterior.

Em caso de incêndio nas imediações, utilizar extintores de pó químico seco. A utilização de extintores líquidos poderá representar um perigo de choque eléctrico.

## **5. SERVIÇO APÓS-VENDA**

### **IMPORTANTE!**

Ao contactar o Departamento Após-Venda, tenha a seguinte informação à mão pois será sempre necessária: Modelo da UPS, número de série e data de compra.

Dê uma descrição pormenorizada do problema fornecendo os dados seguintes: tipo de equipamento alimentado pela UPS, estado dos LEDs, estado do alarme, condições de instalação e ambientais.

A informação técnica necessária poderá ser encontrada no certificado de garantia ou na placa de identificação na parte de trás do aparelho. Se for mais prático, poderá anotar esses dados no quadro seguinte.

<b>Modelo</b>	<b>Número de Série</b>	<b>Data de compra</b>
<b>X3 EX ...</b>		

! Por favor, guarde a embalagem original. Será necessária na eventualidade de envio da UPS ao Departamento Após-Venda.

#### ▪ **Conformidade CE:**



Este logótipo significa que este produto cumpre a Diretiva CEM e Diretiva de Baixa Tensão (relativas ao regulamento associado à tensão de equipamentos eléctricos e a campos eletromagnéticos) e está em conformidade com as diretivas RoHS.

Este é um produto UPS da categoria C2. Num ambiente residencial, este produto poderá causar radiointerferência, pelo que, neste caso, o utilizador poderá ter de tomar medidas adicionais (apenas para 220/230/240 VCA).

### **IMPORTANTE**



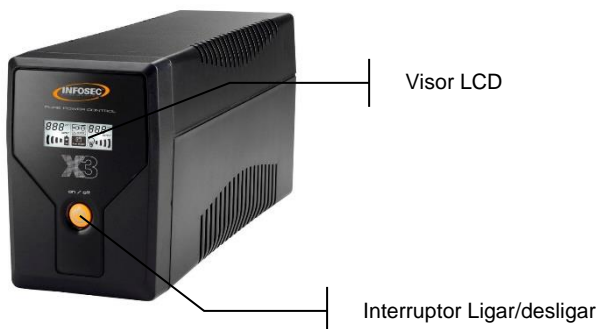
A UPS pertence à categoria de equipamento eletrónico e eléctrico. No final da sua vida útil, deve ser eliminada em separado e de forma correta.

Este símbolo encontra-se também afixado nas baterias fornecidas com este aparelho, que significa que também têm de ser colocadas num local apropriado no final da sua vida útil.

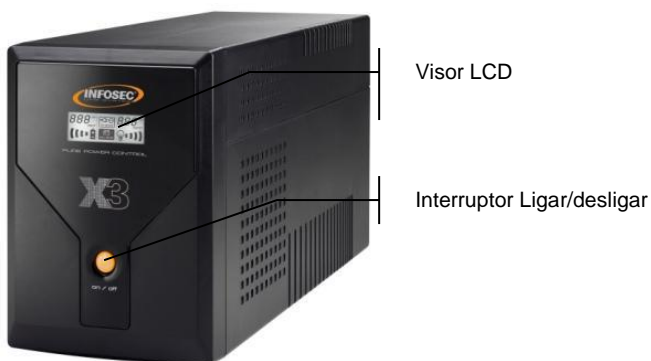
Contactar o centro local de reciclagem ou de resíduos perigosos para obter informação sobre a eliminação correta das baterias usadas.

## 6. DESCRIÇÃO

### X3 EX – 500/650/800/1000 - PAINEL FRONTAL



### X3 EX – 1200/1600/2000/3000 - PAINEL FRONTAL



### Visor LCD



1 – Tensão de entrada

2 – Tensão de saída

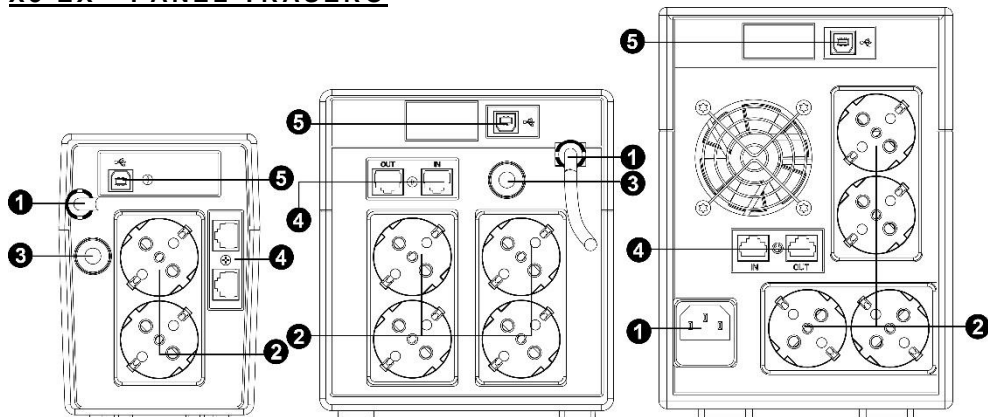
3 – Indicador de modo CA - intermitente significa quando a regulação de tensão

4 – Indicador de modo Bateria

5 – Indicador do nível de carga – intermitente significa sobrecarga

6 – Indicador de capacidade da bateria – intermitente indica bateria baixa

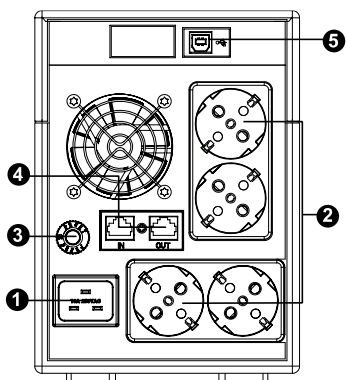
## X3 EX - PANEL TRASERO



X3 EX- 500/650/800/1000

X3 EX - 1200

X3 EX - 1600/2000



X3 EX - 3000

- 1 - Entrada CA
- 2 - Tomadas UPS protegidas
- 3 - Disjuntor de entrada
- 4 - Tomadas protegidas RJ11/45
- 5 - Porta de comunicação USB

*\*Para utilizar com tomadas 7-7 tipo FR/Schuko CEE*

## **7. INSTALAÇÃO E FUNCIONAMENTO**

### **1. Verificação**

Quando receber o seu equipamento, abra a embalagem e verifique se a sua UPS não está danificada. A embalagem inclui:

**X3 EX 500/650/800/1000:** Unidade UPS e um manual do utilizador.

**X3 EX 1200:** Unidade UPS e um manual do utilizador.

**X3 EX 1600/2000:** Unidade UPS e um manual do utilizador.

**X3 EX 3000:** Unidade UPS, um guia do utilizador, cabo de entrada.

### **2. Carregamento das baterias**

Este equipamento é embalado de fábrica com a sua bateria interna totalmente carregada; contudo, durante o transporte, poderá sofrer uma ligeira descarga que deverá ser reposta antes da utilização. Ligue a UPS a uma tomada adequada e permita que a UPS carregue totalmente deixando-a ligada, sem aparelhos acoplados, durante, pelo menos, 8 horas.

A UPS recarrega automaticamente as suas baterias quando o interruptor está na posição "ON" (Ligado). Poderá usar imediatamente a UPS mas a autonomia poderá estar abaixo do valor nominal necessário.

### **3. Onde instalá-la**

A UPS foi concebida para funcionar num ambiente protegido, a temperaturas entre 0°C e 40°C com uma humidade relativa entre 0% e 90% (sem condensação).

Não tape as ranhuras de ventilação. Instale o aparelho num ambiente isento de poeiras, vapores químicos e condutores. Além disso, para evitar qualquer interferência, mantenha a UPS a uma distância mínima de 20 cm do CPU (unidade central de processamento).

### **4. Ligação**

Verifique na placa de identificação na parte traseira da UPS se a alimentação é compatível com a voltagem da rede eléctrica e que o aparelho é suficientemente potente para proteger toda essa carga eléctrica. Ligue o cabo de alimentação da UPS a uma tomada de 2 pinos com ligação à terra. Em seguida, ligue os dispositivos relacionados com o computador à parte traseira da UPS.

### **5. Ligar/Desligar**

Para ligar a UPS, prima delicadamente o botão de alimentação. Para desligar a UPS, prima novamente o mesmo botão. Certifique-se de que o interruptor de alimentação é mantido na posição "on" (ligado), de contrário, a UPS desactivar-se-á e o seu equipamento não estará protegido durante falhas de energia.

**Nota:** *Para efeitos de manutenção, ligar a UPS antes do computador e das outras cargas e desligá-la depois de as cargas ligadas terem sido desligadas.*

### **6. Arranque DC**

Os aparelhos X3 EX estão equipados com uma função integrada de arranque DC. Para arrancar a UPS na ausência de energia eléctrica e com uma bateria totalmente carregada, prima o botão.

### **7. Função de Economia de Energia**

Os aparelhos X3 EX estão equipados com uma função de economia de energia. Se não houver carga ligada à UPS, desliga-se automaticamente após 5 minutos para economizar energia durante uma falta de corrente eléctrica. O interruptor de alimentação deverá ser mantido na posição "ON" (Ligado) ou, de contrário, a UPS desliga-se e o seu equipamento não estará protegido durante falhas de corrente.

### **8. Ligação modem/telefone/rede para protecção contra picos de corrente**



Ligue um modem/linha telefónica única a uma tomada "IN" protegidas contra sobretensão no painel traseiro da unidade UPS. Ligue a tomada "OUT" ao computador com um outro cabo de linha telefónica.

**Cuidado:** A protecção contra raios da linha telefónica poderá ficar inoperacional em caso de instalação inadequada. Este dispositivo de protecção contra picos de corrente destina-se unicamente à utilização doméstica. Nunca instale cabos telefónicos durante uma trovoadas.

**Nota:** Esta ligação é opcional.

## **8. INTERFACE DO COMPUTADOR**

Ligue um cabo USB ao seu computador para evitar um encerramento repentino do sistema informático. De seguida é possível instalar e utilizar um software de encerramento automático (Download gratuito a partir do site).

A porta de comunicação USB na parte traseira da UPS permite ao computador controlar directamente o estado da UPS.

As funções principais são as seguintes:

- Transmissão de um alarme visual na eventualidade de uma falha de corrente
- Fecho automático de ficheiros antes de a bateria se esgotar
- Encerramento do computador e da UPS.

Para mais informações, visite o site: [www.infosec-ups.com](http://www.infosec-ups.com)

## **9. BATERIA**

A bateria é o único componente da UPS que não está a ser permanentemente utilizado. Tem uma vida útil de aproximadamente 3 a 5 anos. Contudo, descargas fortes frequentes ou a exposição a temperaturas elevadas acima de 20°C reduzem este limite. Por isso, recomendamos que os utilizadores recarreguem a bateria uma vez e três em três meses quando o aparelho não estiver a ser usado, para compensar a descarga natural. O tempo de autonomia da UPS depende da carga que lhe é exigida, bem como da idade e do estado das baterias.

### **AVISO!**

As baterias deverão ser sempre substituídas por técnicos qualificados. As baterias têm uma corrente muito elevada: **erros de ligação poderão causar curto-circuitos de que resultarão queimaduras graves.**

## **10. RESOLUÇÃO DE PROBLEMAS**

Se houver algum problema de funcionamento da UPS, recomendamos que execute os seguintes testes antes de ligar para a linha de apoio.

### **Lista de Verificação:**

- O interruptor principal está na posição "ON" (Ligado)?
- A UPS está ligada à tomada de parede?
- A alimentação encontra-se dentro dos valores específicos para o aparelho?
- Instalou o fusível na ficha da tomada?
- A UPS está em sobrecarga?
- A bateria está em baixo ou com defeito?

<b>PROBLEMA</b>	<b>CAUSA POSSÍVEL</b>	<b>SOLUÇÕES</b>
-----------------	-----------------------	-----------------

Não há indicação LED (ou de texto) no painel frontal.	Bateria fraca	Carregar a bateria até 6 horas.
	Bateria avariada.	Substituir por uma bateria do mesmo tipo.
	A UPS não está ligada.	Premir novamente o interruptor de alimentação para ligar a UPS.
Alarme soa continuamente estando a alimentação eléctrica normal.	Sobrecarga da UPS.	Verificar se a carga corresponde à capacidade da UPS definida nas especificações técnicas.
Na eventualidade de uma falha de corrente, tempo de cópia de segurança é reduzido.	Sobrecarga da UPS.	Retirar alguma carga não crítica.
	Tensão da bateria demasiado baixa.	Carregar a bateria até 6 horas.
	Defeito da bateria devido a temperaturas de operação elevadas ou utilização desadequada da bateria.	Substituir por uma bateria do mesmo tipo.
A alimentação eléctrica está normal mas a unidade encontra-se em modo de bateria	Cabo de alimentação solto.	Ligar o cabo de alimentação correctamente.

## 11. CARACTERÍSTICAS TÉCNICAS

	X3 EX-500	X3 EX-650	X3 EX-800	X3 EX-1000
<b>TECNOLOGIA</b>				
<b>Tecnologia</b>	Linha interactiva com Regulação Automática de Tensão (AVR)			
<b>Alimentação</b>	500 VA	650 VA	800 VA	1000 VA
<b>Saída</b>	Onda seno modificada			
<b>Protecção</b>	Descarga/Sobrecarga, curto-circuito e protecção de sobrecarga + protecção na linha de modem fax			
<b>Factor de Alimentação</b>	0,5	0,55	0,6	0,5
<b>FÍSICO</b>				
<b>Dimensões W x D x H</b>	287 x 100 x 142			
<b>Peso kg</b>	3,95	4,25	4,9	5,2
<b>Conectores de Saída</b>	2 tomadas Schuko/ FR protegidas para UPS 1 conector RJ11/45 (entrada/saída) protegido contra sobretensões 1 porta USB			
<b>ENTRADA</b>				
<b>Voltagem</b>	220/230/240 V			
<b>Amplitude de Voltagem</b>	162-290 VAC			
<b>SAÍDA</b>				
<b>Voltagem</b>	220/230/240 V			
<b>Regulação (modo de bateria)</b>	± 10 %			
<b>Frequência</b>	50 ou 60 Hz ± 1 Hz auto detecção			
<b>BATERIA</b>				
<b>Tipo</b>	12V/7AH*1	12V/7AH*1	12V/9AH*1	12V/9AH*1
<b>Autonomia (1 computador ligado)</b>	10 min.	12 min.	15 min.	15 min.
<b>Tempo de recarga</b>	90% em 10 horas após descarga completa			
<b>AMBIENTE</b>				
<b>Ambiente de funcionamento</b>	0° C - 40° C, 0 a 90 % de humidade (sem condensação)			
<b>PADRÕES</b>				
<b>Segurança/Padrão</b>	CE RoHS			



### X3 EX 500 / 650 / 800 / 1000:

Seguro gratuito para equipamento conectado até ao valor de 120.000 €.

Ver condições e registar dentro de 10 dias após a compra no site:

[www.infosec-ups.com](http://www.infosec-ups.com).

	<b>X3 EX-1200</b>	<b>X3 EX-1600</b>	<b>X3 EX-2000</b>	<b>X3 EX-3000</b>
<b>TECNOLOGIA</b>				
<b>Tecnologia</b>	Linha interactiva com Regulação Automática de Tensão (AVR)			
<b>Alimentação</b>	1200 VA	1600 VA	2000 VA	3000 VA
<b>Saída</b>	Onda seno modificada			
<b>Protecção</b>	Descarga/Sobrecarga, curto-circuito e protecção de sobrecarga + protecção na linha de modem fax			
<b>Factor de Alimentação</b>	0,5	0,55	0,6	0,6
<b>FÍSICO</b>				
<b>Dimensões W x D x H</b>	350 x 146 x 160	397 x 145 x 205		
<b>Peso kg</b>	8	11,1	12,5	15,2
<b>Conectores de Saída</b>	4 tomadas Schuko/ FR protegidas para UPS 1 conector RJ11/45 (entrada/saída) protegido contra sobretensões 1 porta USB	4 tomadas Schuko/ FR protegidas para UPS 1 conector RJ11/45 (entrada/saída) protegido contra sobretensões 1 porta USB		
<b>ENTRADA</b>				
<b>Voltagem</b>	220/230/240 V			
<b>Amplitude de Voltagem</b>	162-290 VAC			
<b>SAÍDA</b>				
<b>Voltagem</b>	220/230/240 V			
<b>Regulação (modo de bateria)</b>	± 10 %			
<b>Frequência</b>	50 ou 60 Hz ± 1 Hz auto detecção			
<b>BATERIA</b>				
<b>Tipo</b>	12V/7AH*2	12V/9AH*2	12V/9AH*2	12V/10AH*2
<b>Autonomia (1 computador ligado)</b>	30 min.	40 min.	50 min.	1h15 min.
<b>Tempo de recarga</b>	90% em 10 horas após descarga completa			
<b>AMBIENTE</b>				
<b>Ambiente de funcionamento</b>	0° C - 40° C, 0 a 90 % de humidade (sem condensação)			
<b>PADRÕES</b>				
<b>Segurança/Padrão</b>	CE RoHS			



### **X3 EX 1200/1600/2000/3000:**

Seguro gratuito para equipamento conectado até ao valor de 150.000 €. Ver condições e registar dentro de 10 dias após a compra no site: [www.infosec-ups.com](http://www.infosec-ups.com).



# Εγχειρίδιο χρήσης

Για να βεβαιωθείτε ότι έχετε εγκαταστήσει και χρησιμοποιείτε σωστά το προϊόν αυτό, συνιστάται να διαβάσετε το παρόν εγχειρίδιο χρήσης πολύ προσεκτικά.

## 1. ΕΙΣΑΓΩΓΗ

Η σειρά X3 EX αποτελείται από μονάδες UPS υψηλής απόδοσης, οι οποίες συνδέονται απευθείας με τον υπολογιστή μέσω θύρας USB. Η μονάδα UPS διαθέτει λειτουργία αυτόματης ρύθμισης για να προσφέρει ισορροπημένη ισχύ εξόδου καθώς και ολοκληρωμένη προστασία στους διακομιστές σας και τα περιφερειακά τους σε περίπτωση διακοπών ρεύματος ή διακύμανσης της τάσης. Εάν υπάρξει απώλεια τροφοδοσίας που οφείλεται σε διακοπές ρεύματος, απότομες μεταβολές της τάσης ή μεταβατική υπέρταση, η μονάδα UPS θα παράσχει πολύ γρήγορα μια εναλλακτική πηγή τροφοδοσίας για τον υπολογιστή σας και τον εξοπλισμό του. Έτσι θα έχετε τη δυνατότητα να δημιουργήσετε ένα αντίγραφο ασφαλείας, να κλείσετε τα προγράμματά σας και να τερματίσετε το σύστημα σωστά. Υπό κανονικές συνθήκες τροφοδοσίας, η μονάδα X3 EX θα διατηρεί τη φόρτιση της μπαταρίας με συνεχόμενο τρόπο, ώστε αυτή να λειτουργεί με πλήρη διαφάνεια κατά τη διάρκεια όλων των εργασιών σας. Με άλλα λόγια, αυτού του είδους η αδιάλειπτη πολυλειτουργική παροχή ισχύος θα απλοποιήσει τις εργασίες σας. Θα μπορείτε να ελέγχετε την κατάσταση λειτουργίας της με μεγάλη ευκολία, καθώς και το επίπεδο φόρτισής της, χρησιμοποιώντας την ενδεικτική λυχνία ή την οθόνη LCD. Αυτή η μονάδα UPS υψηλής τεχνολογίας εξασφαλίζει μια κατάλληλη και αξιόπιστη παροχή ισχύος για τον εξοπλισμό του υπολογιστή σας. Τα κύρια χαρακτηριστικά της σειράς X3 EX παρουσιάζονται παρακάτω.

## 2. ΚΥΡΙΑ ΧΑΡΑΚΤΗΡΙΣΤΙΚΑ

- Έλεγχος με μικροεπεξεργαστή υψηλής αξιοπιστίας
- Σύστημα αυτόματης ρύθμισης της τάσης εξόδου (AVR)
- Ενσωματωμένη θύρα επικοινωνίας USB
- Ρύθμιση και τυποποίηση της τάσης εισόδου
- Δυνατότητα ψυχρής εκκίνησης, εάν δεν υπάρχει τροφοδοσία ηλεκτρικού ρεύματος
- Φόρτιση ενώ είναι κλειστό
- Λειτουργία εξοικονόμησης ισχύος
- Αυτόματη επανεκκίνηση κατά την επαναφορά σε περίπτωση απώλειας ρεύματος
- Συμπαγής σχεδίαση, μικρό βάρος
- Προστασία κατά των εξάρσεων τάσης για το τηλέφωνο / το μόντεμ ή το δίκτυο (υποδοχές RJ45)

## 3. ΟΔΗΓΙΕΣ ΑΣΦΑΛΕΙΑΣ

### ΣΗΜΑΝΤΙΚΟ!

Φυλάξτε το παρόν εγχειρίδιο σε ασφαλές μέρος και διαβάστε προσεκτικά τις ακόλουθες οδηγίες πριν από την εγκατάσταση της μονάδας. Μην θέτετε τη μονάδα σε λειτουργία χωρίς να έχετε διαβάσει όλες τις πληροφορίες ασφαλείας και οδηγίες λειτουργίας. Η εγκατάσταση και η σύνδεση των καλωδίων πρέπει να πραγματοποιηθεί σύμφωνα με τους τοπικούς νόμους και κανονισμούς περί ηλεκτρικών εγκαταστάσεων. Η εγκατάσταση και σύνδεση του συστήματος UPS με τρόπο που δεν συμμορφώνεται με τις αποδεκτές πρακτικές απαλλάσσει την Infosec Communication από οποιαδήποτε ευθύνη.

### ▪ **Μεταφορά**

1. Μεταφέρετε το σύστημα UPS μόνο στην αρχική του συσκευασία για να προστατευτεί από δονήσεις και χτυπήματα.

### ▪ Προετοιμασία και απόρριψη υλικών της συσκευής:

1. Σε περίπτωση που το σύστημα UPS μεταφερθεί απευθείας από ψυχρό σε θερμό περιβάλλον, ενδέχεται να δημιουργηθεί υγρασία. Το σύστημα UPS πρέπει να είναι απολύτως στεγνό πριν από την εγκατάσταση. Αφήστε το σύστημα UPS για τουλάχιστον δύο ώρες να εγκλιματιστεί στο περιβάλλον.
2. Μην τοποθετείτε το σύστημα UPS κοντά σε νερό ή χώρους με υγρασία.
3. Μην τοποθετείτε το σύστημα UPS σε απευθείας ηλιακό φως ή κοντά σε πηγές θερμότητας.
4. Μην φράσετε τις θυρίδες εξαερισμού του περιβλήματος του UPS. Το UPS πρέπει να τοποθετηθεί σε χώρο με καλό εξαερισμό. Βεβαιωθείτε ότι υπάρχει επαρκής ελεύθερος χώρος σε κάθε πλευρά για τον εξαερισμό.
5. Η πρίζα της κύριας παροχής που τροφοδοτεί το UPS πρέπει να είναι εγκατεστημένη κοντά στη μονάδα UPS και να είναι εύκολα προσβάσιμη.
6. Εγκαταστήστε το UPS σε χώρο ελεγχόμενης θερμοκρασίας και υγρασίας, χωρίς επαγωγική παρεμβολή.
7. Απενεργοποιήστε και αποσυνδέστε το UPS από το εναλλασσόμενο ρεύμα, προτού το καθαρίσετε με ένα νωπό πανί (μην χρησιμοποιείτε καθαριστικά προϊόντα).
8. Μην αφήνετε δοχεία με υγρό πάνω ή κοντά στο UPS.
9. Τοποθετήστε τα καλώδια με τέτοιο τρόπο ώστε να μην πατιούνται ή σκοντάφει κάποιος σε αυτά.
10. Προσέξτε να μην εισέλθουν υγρά ή άλλα ξένα αντικείμενα στο εσωτερικό του συστήματος UPS

### ▪ Κίνδυνος ηλεκτροπληξίας:

1. Το UPS χρησιμοποιεί τάσεις που είναι δυνητικά επικίνδυνες. Μην επιχειρήσετε να αποσυναρμολογήσετε τον εξοπλισμό, καθώς δεν περιέχει προσπελάσιμα εξαρτήματα που μπορούν να επιδιορθωθούν από τους χρήστες. Εξαιρείται η αντικατάσταση της ασφάλειας.
2. Προσοχή - Κίνδυνος ηλεκτροπληξίας. Το κύκλωμα της μπαταρίας δεν είναι απομονωμένο από την τάση εισόδου. Ενδέχεται να δημιουργηθεί επικίνδυνη τάση ανάμεσα στους ακροδέκτες της μπαταρίας και το έδαφος. Πριν έρθετε σε επαφή, βεβαιωθείτε ότι δεν υπάρχει τάση!
3. Το σύστημα UPS λειτουργεί με επικίνδυνες τάσεις. Επισκευές μπορούν να διεξαχθούν μόνο από εξειδικευμένο προσωπικό συντήρησης.
4. Η πρίζα του ρεύματος προς χρήση πρέπει να βρίσκεται κοντά στον εξοπλισμό και να είναι εύκολα προσβάσιμη. Για να απομονώσετε το UPS από το εναλλασσόμενο ρεύμα και να το απενεργοποιήσετε, βγάλτε το καλώδιο από την πρίζα του ρεύματος προς χρήση.
5. Μην αποσυνδέσετε το κύριο καλώδιο στο σύστημα UPS ή την έξοδο της καλωδίωσης του κτιρίου (γειωμένη, αντικραδασική πρίζα) κατά τη διάρκεια λειτουργίας καθώς κάτι τέτοιο θα ακυρώσει τη γείωση προστασίας του συστήματος UPS και όλων των συνδεδεμένων φορτίων.
6. Το UPS διαθέτει την δική του εσωτερική παροχή ρεύματος (μπαταρία). Υπάρχει κίνδυνος οι πρίζες να βρίσκονται υπό τάση αφότου αποσυνδεθεί το UPS από την κύρια παροχή ρεύματος.
7. Σε περίπτωση έκτακτης ανάγκης, απενεργοποιήστε το UPS τοποθετώντας τον διακόπτη στη θέση «Off» και αποσυνδέστε τη μονάδα από την παροχή εναλλασσόμενου ρεύματος.
8. Εάν η μονάδα UPS παρουσιάσει βλάβη, ανατρέξτε στην ενότητα: «**αντιμετώπιση προβλημάτων**» και επικοινωνήστε με τη γραμμή τεχνικής υποστήριξης.
9. Η ισοδυναμική γείωση πρέπει να ελέγχεται με εξωτερική τράπεζα μπαταριών εάν υπάρχει

#### ▪ Συνδεδεμένα προϊόντα:

1. Το άθροισμα του ρεύματος διαρροής του UPS και του συνδεδεμένου εξοπλισμού δεν πρέπει να υπερβαίνει τα 3,5 mA.
2. Βεβαιωθείτε ότι το συνδεδεμένο φορτίο δεν υπερβαίνει τις δυνατότητες του UPS. Για να εξασφαλίσετε μεγαλύτερο χρόνο εφεδρικής τροφοδοσίας και μεγαλύτερη διάρκεια ζωής της μπαταρίας, συνιστάται φορτίο ισοδύναμο με το 1/3 της ονομαστικής ισχύος.
3. Μην συνδέετε οικιακές συσκευές ή συσκευές που ενδέχεται να αυξήσουν υπερβολικά το φορτίο του UPS (π.χ. εξοπλισμός μεγάλων τύπων κινητήρα) στις πρίζες του UPS ή στον ακροδέκτη.
4. Μην τοποθετείτε το βύσμα εισόδου της μονάδας UPS στην πρίζα της μονάδας.
5. Μην συνδέετε τη μονάδα UPS σε πολύπριζο ή σε σταθεροποιητή τάσης.
6. Η μονάδα UPS έχει σχεδιαστεί για προσωπικούς υπολογιστές. Δεν πρέπει να χρησιμοποιείται με ηλεκτρικό ή ηλεκτρονικό εξοπλισμό με επαγωγικά φορτία, όπως κινητήρες ή λαμπτήρες φθορίου.
7. Μην συνδέετε οικιακές συσκευές, όπως φούρνους μικροκυμάτων, ηλεκτρικές σκούπες, πιστολάκια μαλλιών, στη μονάδα UPS, ή συστήματα τεχνητής υποστήριξης ζωής.
8. Λόγω υπερβολικής κατανάλωσης, δεν πρέπει να συνδέονται εκτυπωτές λέιζερ στη μονάδα UPS.
9. Αντικαταστήστε την ασφάλεια με μία ασφάλεια αποκλειστικά του ίδιου τύπου και αμπεράζ, προκειμένου να αποφευχθεί ο κίνδυνος πυρκαγιάς.
10. Χρησιμοποιήστε μόνο βύσματα τύπου CEE 7/7

#### ▪ Σχετικά με τις μπαταρίες:

1. Η αλλαγή της μπαταρίας συνιστάται να γίνεται από εξειδικευμένο τεχνικό.
2. Πριν από την εκτέλεση οποιασδήποτε συντήρησης, αποσυνδέστε τις μπαταρίες και ελέγξτε ότι δεν υπάρχει ρεύμα και επικίνδυνη τάση στους ακροδέκτες του υπερπυκνωτή όπως είναι οι πυκνωτές αρτηριών διέλευσης.
3. Μην απορρίπτετε την μπαταρία σε φωτιά, καθώς ενδέχεται να εκραγεί.
4. **Μην ανοίγετε και μην καταστρέψετε την μπαταρία!** Ο ηλεκτρολύτης, ο οποίος είναι κατά βάση θειικό οξύ, ενδέχεται να είναι τοξικός και επιβλαβής για το δέρμα και τα μάτια. Εάν έλθει σε επαφή με το δέρμα σας, πλυθείτε σχολαστικά με νερό και καθαρίστε τα ρούχα που λερώθηκαν.
5. Μην πετάτε την μπαταρία σε φωτιά. Ενδέχεται να εκραγεί. Η μπαταρία πρέπει να απορρίπτεται ξεχωριστά, όταν φτάσει στο τέλος της ωφέλιμης ζωής της. Ανατρέξτε στην τοπική νομοθεσία και κανονισμούς.
6. Το UPS περιέχει μία ή δύο μπαταρίες μεγάλης χωρητικότητας. Προκειμένου να αποφύγετε τον κίνδυνο ηλεκτροπληξίας, μην την/τις ανοίγετε. Εάν απαιτείται συντήρηση ή αντικατάσταση της μπαταρίας, επικοινωνήστε με το διανομέα.
7. Η συντήρηση πρέπει να πραγματοποιείται ή να επιβλέπεται από έμπειρο προσωπικό που λαμβάνει τις απαραίτητες προφυλάξεις. Μην επιτρέπετε σε μη εξουσιοδοτημένο προσωπικό την πρόσβαση στις μπαταρίες.
8. Η μπαταρία ενδέχεται να παρουσιάσει κίνδυνο ηλεκτροπληξίας και να προκαλέσει βραχυκυκλώματα. Ο εξειδικευμένος τεχνικός πρέπει να λαμβάνει τις ακόλουθες προφυλάξεις:
  - ✓ Αφαιρέστε ρολόγια, δαχτυλίδια ή άλλα μεταλλικά αντικείμενα από τα χέρια.
  - ✓ Χρησιμοποιήστε εργαλεία με μονωμένες λαβές.
  - ✓ Αποσυνδέστε την πηγή φόρτισης, προτού συνδέσετε ή αποσυνδέσετε τους ακροδέκτες της μπαταρίας.
  - ✓ Όταν αντικαθιστάτε τις μπαταρίες, χρησιμοποιήστε τον ίδιο τύπο και αριθμό σφραγισμένων μπαταριών μολύβδου-οξέος.

#### **4. ΟΔΗΓΙΕΣ ΑΠΟΘΗΚΕΥΣΗΣ**

Η μονάδα UPS θα πρέπει να αποθηκεύεται με τη μπαταρία της πλήρως φορτισμένη. Οι θερμοκρασίες αποθήκευσης άνω των 20 °C θα πρέπει να αποφεύγονται, εφόσον κάτι τέτοιο θα μειώσει σημαντικά τη διάρκεια ζωής της μπαταρίας. Η UPS θα πρέπει να επαναφορτίζεται μία φορά κάθε 3 μήνες. Αυτό επιτυγχάνεται αφήνοντας την συνδεδεμένη με την κύρια παροχή ρεύματος για ένα 24ωρο. Οι μπαταρίες που φυλάσσονται θα πρέπει να επαναφορτίζονται κάθε 3 μήνες, διαφορετικά ενδέχεται να προκληθεί βλάβη στη μπαταρία.

Μην αποθηκεύετε και μην χρησιμοποιείτε τη μονάδα UPS στα παρακάτω περιβάλλοντα:

- ✓ Χώρους με εύφλεκτα αέρια, διαβρωτικές ουσίες ή πολλή σκόνη.
- ✓ Χώρους με εξαιρετικά υψηλή ή χαμηλή θερμοκρασία (πάνω από 40°C ή κάτω από 0°C) και υγρασία μεγαλύτερη από 90%.
- ✓ Χώρους εκτεθειμένους σε άμεση ηλιακή ακτινοβολία ή κοντά σε κάποια συσκευή θέρμανσης.
- ✓ Χώρους που δέχονται ισχυρές δονήσεις.
- ✓ Εξωτερικούς χώρους.

Σε περίπτωση πυρκαγιάς, χρησιμοποιήστε πυροσβεστήρες ξηρής σκόνης. Η χρήση πυροσβεστήρων υγρού ενδέχεται να παρουσιάσει κίνδυνο ηλεκτροπληξίας.

#### **5. ΤΕΧΝΙΚΗ ΥΠΟΣΤΗΡΙΞΗ ΜΕΤΑ ΤΗΝ ΑΓΟΡΑ** **ΣΗΜΑΝΤΙΚΟ!**

Όταν επικοινωνείτε με το τμήμα τεχνικής υποστήριξης, να έχετε διαθέσιμες τις ακόλουθες πληροφορίες, οι οποίες θα σας ζητηθούν ανεξάρτητα από τη φύση του προβλήματος που αντιμετωπίζετε: Μοντέλο UPS, σειριακός αριθμός και ημερομηνία αγοράς.

Δώστε μια ακριβή περιγραφή του προβλήματος, καθώς και τις ακόλουθες λεπτομέρειες: τον τύπο του εξοπλισμού που τροφοδοτείται από τη μονάδα UPS, την κατάσταση των ενδεικτικών λυχνιών, την κατάσταση των συναγερμών προειδοποίησης, τις συνθήκες εγκατάστασης και περιβάλλοντος.

Θα βρείτε τις τεχνικές πληροφορίες που χρειάζεστε είτε στην εγγύησή σας είτε στην ετικέτα με τα στοιχεία προϊόντος που βρίσκεται στο πίσω μέρος της μονάδας. Εάν θέλετε, μπορείτε να σημειώσετε τις λεπτομέρειες στο ακόλουθο πλαίσιο.

<b>Μοντέλο</b>	<b>Σειριακός αριθμός</b>	<b>Ημερομηνία αγοράς</b>
<b>X3 EX ...</b>		

! Φυλάσσετε την αρχική συσκευασία. Θα σας ζητηθεί, σε περίπτωση επιστροφής της μονάδας USP στο τμήμα τεχνικής υποστήριξης.

#### **▪ Συμμόρφωση CE:**



Αυτό το λογότυπο υποδηλώνει ότι το προϊόν συμμορφώνεται με το πρότυπο ηλεκτρομαγνητικής συμβατότητας EMC και την οδηγία χαμηλής τάσης LVD (τα οποία αφορούν σε κανονισμούς για την τάση και τα ηλεκτρομαγνητικά πεδία ηλεκτρικών εξοπλισμών) και τις οδηγίες για περιορισμό χρήσης ορισμένων επικινδύνων ουσιών σε ηλεκτρολογικό και ηλεκτρονικό εξοπλισμό (RoHS).



Αυτό είναι ένα προϊόν UPS κατηγορίας C2. Σε οικιακό περιβάλλον, το προϊόν αυτό ενδέχεται να προκαλέσει ραδιο-παρεμβολές, περίπτωση στην οποία ο χρήστης πρέπει ενδεχομένως να λάβει πρόσθετα μέτρα (μόνο για 220/230/240 VAC).

**ΣΗΜΑΝΤΙΚΟ**



Η μονάδα UPS είναι ηλεκτρονικός και ηλεκτρικός εξοπλισμός. Όταν φτάσει στο τέλος της ωφέλιμης ζωής της, πρέπει να απορρίπτεται ξεχωριστά με κατάλληλο τρόπο.

Αυτό το σύμβολο έχει επίσης τοποθετηθεί στις μπαταρίες που παρέχονται με αυτή τη συσκευή, το οποίο υποδηλώνει ότι πρέπει να παραδίδονται στο κατάλληλο σημείο συλλογής στο τέλος της ωφέλιμης ζωής τους.

Επικοινωνήστε με το τοπικό κέντρο ανακύκλωσης ή επικίνδυνων αποβλήτων για πληροφορίες σχετικά με την κατάλληλη απόρριψη της χρησιμοποιημένης μπαταρίας.

## 6. ΠΕΡΙΓΡΑΦΗ

### X3 EX – 500/650/800/1000 - ΠΡΟΣΩΨΗ



Οθόνη LCD

Διακόπτης Ενεργοποίησης/Απενεργοποίησης

### X3 EX – 1200/1600/2000/3000 - ΠΡΟΣΩΨΗ



Οθόνη LCD

Διακόπτης Ενεργοποίησης/Απενεργοποίησης

### Οθόνη LCD



1 - Τάση εισόδου

2 - Τάση εξόδου

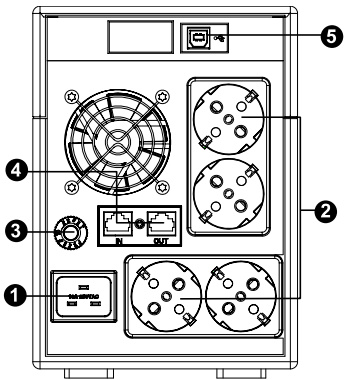
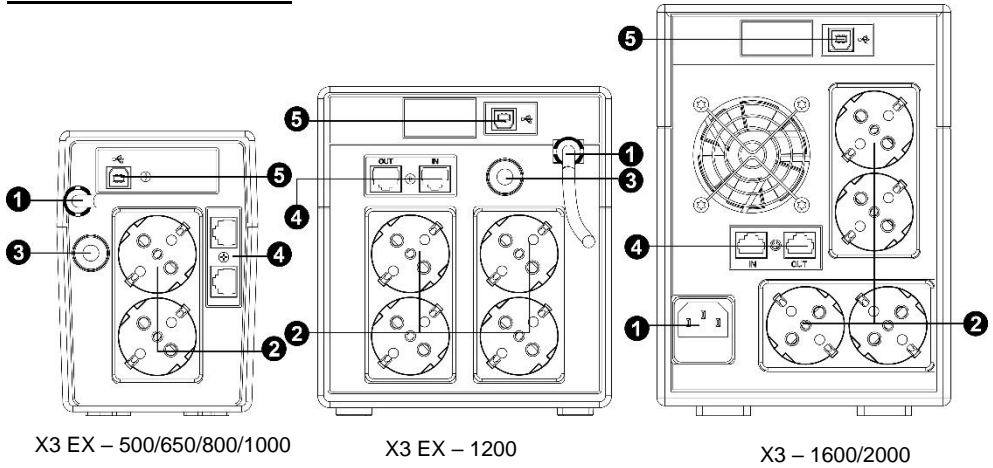
3 - Ένδειξη λειτουργίας εναλλασσόμενου ρεύματος AC - αναβοσβήνει όταν ρυθμίζεται η τάση

4 - Ένδειξη λειτουργίας μπαταρίας

5 - Ένδειξη επιπέδου φορτίου – εάν αναβοσβήνει υποδεικνύει υπερφόρτωση

6 - Ένδειξη χωρητικότητας μπαταρίας – εάν αναβοσβήνει υποδεικνύει χαμηλό επίπεδο μπαταρίας

## X3 EX - ΠΙΣΩ ΠΛΕΥΡΑ



- 1 – Καλώδιο εισόδου εναλλασσόμενου ρεύματος AC
- 2 – Προστατευόμενες υποδοχές UPS
- 3 – Ασφάλεια εισόδου
- 4 – Προστατευόμενες υποδοχές RJ11/45
- 5 - Θύρα επικοινωνίας USB

*\*Για χρήση με βύσματα τύπου FR/Schuko CEE 17-7*

## **7. ΕΓΚΑΤΑΣΤΑΣΗ ΚΑΙ ΛΕΙΤΟΥΡΓΙΑ**

### **1. Έλεγχος**

Όταν παραλάβετε τον εξοπλισμό σας, ανοίξτε τη συσκευασία και βεβαιωθείτε ότι η μονάδα UPS δεν έχει υποστεί ζημιά. Η συσκευασία περιλαμβάνει:

**X3 EX 500/650/800/1000:** Μονάδα UPS και εγχειρίδιο χρήσης.

**X3 EX 1200:** Μονάδα UPS και εγχειρίδιο χρήσης.

**X3 EX 1600/2000:** Μονάδα UPS και εγχειρίδιο χρήσης.

**X3 EX 3000:** Μονάδα UPS, οδηγός χρήσης, καλώδιο εισόδου.

### **2. Φόρτιση μπαταριών**

Η μονάδα αυτή αποστέλλεται από το εργοστάσιο με την εσωτερική μπαταρία της πλήρως φορτισμένη, ωστόσο, ενδέχεται να χαθεί κάποιο φορτίο κατά τη διάρκεια της αποστολής και η μπαταρία θα πρέπει να επαναφορτιστεί πριν από τη χρήση. Συνδέστε τη μονάδα με την κατάλληλη τροφοδοσία και αφήστε την να φορτίσει πλήρως, ενώ είναι συνδεδεμένη για τουλάχιστον 8 ώρες χωρίς φορτίο.

Η μονάδα UPS θα επαναφορτίζει αυτόματα τις μπαταρίες της, όποτε ο διακόπτης ενεργοποίησης/απενεργοποίησης βρίσκεται στη θέση ενεργοποίησης. Μπορείτε να χρησιμοποιήσετε τη μονάδα UPS αμέσως, ωστόσο, η εφεδρική τροφοδοσία ενδέχεται να είναι χαμηλότερη από την απαιτούμενη ονομαστική τιμή.

### **3. Τοποθέτηση**

Η μονάδα UPS έχει σχεδιαστεί για να λειτουργεί σε ένα προστατευμένο περιβάλλον, με θερμοκρασία που κυμαίνεται ανάμεσα στους 0° και 40° και τιμές υγρασίας ανάμεσα στους 0% και 90% (για την αποφυγή συμπύκνωσης).

Μην φράζετε τις σχισμές εξαερισμού. Εγκαταστήστε τη μονάδα σε περιβάλλον που είναι απαλλαγμένο από σκόνη, χημικούς ατμούς και αγωγούς. Επιπλέον, προκειμένου να αποφευχθούν τυχόν παρεμβολές, κρατήστε τη μονάδα UPS τουλάχιστον 20 εκ. μακριά από την κεντρική μονάδα επεξεργασίας (CPU).

### **4. Σύνδεση**

Στην ετικέτα με τα στοιχεία προϊόντος που βρίσκονται στο πίσω μέρος της μονάδας UPS ελέγξτε ότι η παροχή ρεύματος είναι συμβατή με την τάση δικτύου και ότι η συσκευή είναι αρκετά ισχυρή, ώστε να παράσχει προστασία στο δεδομένο φορτίο ισχύος. Συνδέστε το καλώδιο τροφοδοσίας του UPS σε τριζα υποδοχής 2 πόλων με γείωση. Στη συνέχεια, συνδέστε συσκευές σχετικές με υπολογιστή στο πίσω μέρος της συσκευής UPS.

### **5. Ενεργοποίηση/απενεργοποίηση**

Για να ενεργοποιήσετε τη μονάδα UPS, πατήστε ελαφρά το διακόπτη ισχύος. Για να την απενεργοποιήσετε, πατήστε ξανά το διακόπτη ισχύος. Βεβαιωθείτε ότι ο διακόπτης ενεργοποίησης/απενεργοποίησης βρίσκεται στη θέση ενεργοποίησης, διαφορετικά η μονάδα UPS θα απενεργοποιηθεί και ο εξοπλισμός σας δεν θα προστατευτεί σε περίπτωση διακοπής ρεύματος.

**Σημείωση:** Για λόγους συντήρησης, πρέπει να ενεργοποιείτε πρώτα τη μονάδα UPS πριν ενεργοποιήσετε τον υπολογιστή και τα άλλα φορτία και να την απενεργοποιείτε αφού απενεργοποιηθούν τα συνδεδεμένα φορτία.

### **6. Λειτουργία εκκίνησης συνεχούς ρεύματος**

Οι μονάδες X3 EX διαθέτουν μια ενσωματωμένη λειτουργία εκκίνησης συνεχούς ρεύματος. Για να εκκινήσετε τη μονάδα UPS απουσία ηλεκτρικού ρεύματος, βεβαιωθείτε ότι η μπαταρία είναι πλήρως φορτισμένη και πατήστε το κουμπί.

### **7. Λειτουργία εξοικονόμησης ισχύος**

Η μονάδα X3 EX διαθέτει μια λειτουργία εξοικονόμησης ρεύματος. Εάν δεν υπάρχει συνδεδεμένο φορτίο στη μονάδα UPS, θα απενεργοποιηθεί αυτόματα μετά από 5 λεπτά,

προκειμένου να εξοικονομηθεί ενέργεια σε περίπτωση διακοπής ρεύματος. Ο διακόπτης ενεργοποίησης/απενεργοποίησης πρέπει να παραμείνει στη θέση ενεργοποίησης, διαφορετικά η UPS θα απενεργοποιηθεί και ο εξοπλισμός σας δεν θα προστατεύεται κατά τη διάρκεια μιας διακοπής ρεύματος.

### **8. Σύνδεση Μόντεμ/Τηλεφώνου/Δικτύου για προστασία κατά των εξάρσεων τάσης**

Συνδέστε μία γραμμή μόντεμ/τηλεφώνου σε μια υποδοχή "IN" με προστασία κατά των εξάρσεων τάσης στο πίσω μέρος της μονάδας UPS. Συνδέστε τον υπολογιστή στην υποδοχή "OUT" χρησιμοποιώντας ένα άλλο καλώδιο τηλεφωνικής γραμμής.

**Προσοχή:** Η αντικεραυνική προστασία της τηλεφωνικής γραμμής ενδέχεται να καταστεί μη λειτουργική, εάν δεν τοποθετηθεί σωστά. Αυτή η συσκευή προστασίας κατά των εξάρσεων τάσης χρησιμοποιείται αποκλειστικά σε εσωτερικούς χώρους. Ποτέ μην εκτελείτε εργασίες στο τηλεφωνικό δίκτυο, όταν έχει καταγίδα με κεραυνούς.

**Σημείωση:** Η σύνδεση αυτή είναι προαιρετική.

### **8. ΔΙΑΣΥΝΔΕΣΗ ΥΠΟΛΟΓΙΣΤΗ**

Για να αποφύγετε τον απότομο τερματισμό λειτουργίας του υπολογιστή σας, συνδέστε ένα καλώδιο USB στον υπολογιστή σας. Έπειτα μπορείτε να εγκαταστήσετε και να χρησιμοποιήσετε το λογισμικό αυτόματου τερματισμού λειτουργίας (Δωρεάν λήψη από ιστότοπο).

Η θύρα επικοινωνίας USB στο πίσω μέρος της μονάδας UPS δίνει τη δυνατότητα στον υπολογιστή να ελέγχει απευθείας την κατάσταση της μονάδας UPS.

Οι κύριες λειτουργίες είναι οι εξής:

- Μετάδοση οπτικού συναγερμού σε περίπτωση διακοπής ρεύματος
- Αυτόματο κλείσιμο αρχείων, προτού εξαντληθεί η μπαταρία
- Τερματισμός του υπολογιστή & της μονάδας UPS

Για περισσότερες πληροφορίες, επισκεφθείτε την τοποθεσία web: [www.infosec-ups.com](http://www.infosec-ups.com)

### **9. ΜΠΑΤΑΡΙΑ**

Η μπαταρία είναι το μοναδικό εξάρτημα της UPS που δεν χρησιμοποιείται μόνιμα. Η ωφέλιμη ζωή της κυμαίνεται από 3 έως 5 χρόνια περίπου. Ωστόσο, οι συχνές μεγάλες αποφορτίσεις ή η έκθεση σε θερμοκρασίες άνω των 20 °C θα μειώσουν τη διάρκεια ζωής της. Κατά συνέπεια, συνιστάται στους χρήστες να επαναφορτίζουν τη μπαταρία μία φορά κάθε 3 μήνες, όταν η μονάδα δε χρησιμοποιείται για να αντισταθμίζεται η φυσική αποφόρτιση. Ο χρόνος εφεδρικής λειτουργίας της μονάδας UPS θα εξαρτηθεί από το φορτίο λειτουργίας, την ηλικία και την κατάσταση των μπαταριών.

#### ***ΠΡΟΕΙΔΟΠΟΙΗΣΗ!***

Οι μπαταρίες πρέπει πάντα να αντικαθιστούνται από εξειδικευμένους τεχνικούς. Οι μπαταρίες διαθέτουν ένα πολύ υψηλό ρεύμα βραχυκύκλωσης: **σφάλματα σύνδεσης ενδέχεται να προκαλέσουν ηλεκτρικά τόξα που μπορεί να προκαλέσουν σοβαρά εγκαύματα.**

### **10. ΑΝΤΙΜΕΤΩΠΙΣΗ ΠΡΟΒΛΗΜΑΤΩΝ**

Σε περίπτωση που η μονάδα UPS δεν λειτουργεί σωστά συνιστάται να πραγματοποιήσετε τους ακόλουθους ελέγχους, προτού επικοινωνήσετε με τη γραμμή τεχνικής υποστήριξης.

#### **Λίστα ελέγχου:**

- Έχετε πατήσει τον κύριο διακόπτη έτσι, ώστε να βρίσκεται στη θέση ενεργοποίησης;

- Είναι η μονάδα UPS συνδεδεμένη με την κύρια παροχή ηλεκτρικού ρεύματος;
- Συμφωνεί η παροχή ρεύματος με τις καθορισμένες τιμές της μονάδας;
- Έχει τοποθετηθεί η ασφάλεια μέσα στην υποδοχή κύριας παροχής ρεύματος;
- Έχει υπερφορτωθεί η UPS;
- Είναι η μπαταρία άδεια ή ελαττωματική;

ΠΡΟΒΛΗΜΑ	ΠΙΘΑΝΗ ΑΙΤΙΑ	ΛΥΣΕΙΣ
Δεν ανάβει καμία ενδεικτική λυχνία LED (ή δεν υπάρχει κείμενο) στην πρόσοψη.	Χαμηλή στάθμη μπαταρίας	Αφήστε την μπαταρία να φορτίσει έως και 6 ώρες.
	Η μπαταρία είναι ελαττωματική.	Αντικαταστήστε την μπαταρία με μία ίδιου τύπου.
	Η μονάδα UPS δεν είναι ενεργοποιημένη	Πατήστε ξανά τον διακόπτη ισχύος για να ενεργοποιήσετε τη μονάδα UPS.
Ο συναγερμός ηχεί συνεχόμενα όταν η κύρια παροχή ρεύματος είναι κανονική.	Η μονάδα UPS έχει υπερφορτιστεί.	Ελέγξτε ότι το φορτίο αντιστοιχεί με τη χωρητικότητα της μονάδας UPS όπως ορίζεται στις προδιαγραφές.
Σε περίπτωση διακοπής ρεύματος, μειώνεται ο χρόνος εφεδρικής τροφοδοσίας.	Η μονάδα UPS έχει υπερφορτιστεί.	Αφαιρέστε φορτίο δευτερεύουσας προτεραιότητας.
	Η τάση της μπαταρίας είναι χαμηλή.	Αφήστε την μπαταρία να φορτίσει έως και 6 ώρες.
	Βλάβη στη μπαταρία εξαιτίας περιβάλλοντος λειτουργίας υψηλής θερμοκρασίας ή ακατάλληλη χρήση της μπαταρίας.	Αντικαταστήστε την μπαταρία με μία ίδιου τύπου.
Η κύρια παροχή ρεύματος είναι κανονική, αλλά η μονάδα βρίσκεται σε λειτουργία μπαταρίας	Το καλώδιο τροφοδοσίας έχει αποσυνδεθεί.	Συνδέστε το καλώδιο τροφοδοσίας σωστά.

## 11. ΤΕΧΝΙΚΕΣ ΠΡΟΔΙΑΓΡΑΦΕΣ

	X3 EX-500	X3 EX-650	X3 EX-800	X3 EX-1000
<b>ΤΕΧΝΟΛΟΓΙΑ</b>				
Τεχνολογία	Τεχνολογία ενεργητικής αναμονής 'Line Interactive' με Αυτόματη Ρύθμιση Τάσης (AVR)			
Ισχύς	500 VA	650 VA	800 VA	1000 VA
Μορφή εξόδου	Διαφοροποιούμενο ημιτονοειδές κύμα			
Προστασία	Προστασία από αποφόρτιση / υπερφόρτιση, βραχυκυκλώματα και υπερφόρτωση + προστασία γραμμής φαξ/μόντεμ			
Συντελεστής ισχύος	0,5	0,55	0,6	0,5
<b>ΦΥΣΙΚΑ ΧΑΡΑΚΤΗΡΙΣΤΙΚΑ</b>				
Διαστάσεις Π x Β x Υ	287 x 100 x 142			
Βάρος σε κιλά	3,95	4,25	4,9	5,2
Υποδοχές εξόδου	2 προστατευμένες εξοδοί ρεύματος UPS τύπου Schuko/FR 1 υποδοχή RJ11/45 (In/Out) με προστασία από αιφνίδια αύξηση τάσης 1 θύρα USB			
<b>ΕΙΣΟΔΟΣ</b>				
Τάση	220/230/240 V			
Εύρος τάσης	162-290 VAC			
<b>ΕΞΟΔΟΣ</b>				
Τάση	220/230/240 V			
Ρύθμιση (λειτουργία μπαταρίας)	± 10 %			
Συχνότητα	50 ή 60 Hz ± 1 Hz (Αυτόματος εντοπισμός)			
<b>ΜΠΑΤΑΡΙΑ</b>				
Τύπος	12V/7AH*1	12V/7AH*1	12V/9AH*1	12V/9AH*1
Χρόνος εφεδρικής τροφοδοσίας (1 φορτίο υπολογιστή)	10 λεπτά	12 λεπτά	15 λεπτά	15 λεπτά
Χρόνος επαναφόρτισης	10 ώρες για το 90 % μετά από πλήρη αποφόρτιση			
<b>ΠΕΡΙΒΑΛΛΟΝ</b>				
Λειτουργικό περιβάλλον	0° C - 40° C, τιμές υγρασίας 0% έως 90% (χωρίς συμπύκνωση)			
<b>ΠΡΟΤΥΠΑ</b>				
Ασφάλεια / Πρότυπο	CE RoHS			



### X3 EX 500 / 650 / 800 / 1000:

Δωρεάν ασφάλιση για το συνδεδεμένο εξοπλισμό αξίας έως και 120.000 ευρώ. Διαβάστε τους όρους και εγγραφείτε μέσα σε 10 ημέρες από την ημερομηνία αγοράς στην τοποθεσία web: [www.infosec-ups.com](http://www.infosec-ups.com).

	<b>X3 EX-1200</b>	<b>X3 EX-1600</b>	<b>X3 EX-2000</b>	<b>X3 EX-3000</b>
<b>ΤΕΧΝΟΛΟΓΙΑ</b>				
<b>Τεχνολογία</b>	Τεχνολογία ενεργητικής αναμονής 'Line Interactive' με Αυτόματη Ρύθμιση Τάσης (AVR)			
<b>Ισχύς</b>	1200 VA	1600 VA	2000 VA	3000 VA
<b>Μορφή εξόδου</b>	Διαφοροποιούμενο ημιτονοειδές κύμα			
<b>Προστασία</b>	Προστασία από αποφόρτιση / υπερφόρτιση, βραχυκυκλώματα και υπερφόρτωση + προστασία γραμμής φαξ/μόντεμ			
<b>Συντελεστής ισχύος</b>	0,5	0,6	0,6	0,6
<b>ΦΥΣΙΚΑ ΧΑΡΑΚΤΗΡΙΣΤΙΚΑ</b>				
<b>Διαστάσεις Π x Β x Υ</b>	350 x 146 x 160	397 x 145 x 205		
<b>Βάρος σε κιλά</b>	8	11,1	12,5	15,2
<b>Υποδοχές εξόδου</b>	4 προστατευμένες έξοδοι ρεύματος UPS τύπου Schuko/FR 1 υποδοχή RJ11/45 (In/Out) με προστασία από αιφνίδια αύξηση τάσης 1 θύρα USB	4 προστατευμένες έξοδοι ρεύματος UPS τύπου Schuko/FR 1 υποδοχή RJ11/45 (In/Out) με προστασία από αιφνίδια αύξηση τάσης 1 θύρα USB		
<b>ΕΙΣΟΔΟΣ</b>				
<b>Τάση</b>	220/230/240 V			
<b>Εύρος τάσης</b>	162-290 VAC			
<b>ΕΞΟΔΟΣ</b>				
<b>Τάση</b>	220/230/240 V			
<b>Ρύθμιση (λειτουργία μπαταρίας)</b>	± 10 %			
<b>Συχνότητα</b>	50 ή 60 Hz ± 1 Hz (Αυτόματος εντοπισμός)			
<b>ΜΠΑΤΑΡΙΑ</b>				
<b>Τύπος</b>	12V/7AH*2	12V/9AH*2	12V/9AH*2	12V/10AH*2
<b>Χρόνος εφεδρικής τροφοδοσίας (1 φορτίο υπολογιστή)</b>	30 λεπτά	40 λεπτά	50 λεπτά	75 λεπτά
<b>Χρόνος επαναφόρτισης</b>	10 ώρες για το 90 % μετά από πλήρη αποφόρτιση			
<b>ΠΕΡΙΒΑΛΛΟΝ</b>				
<b>Λειτουργικό περιβάλλον</b>	0° C - 40° C, τιμές υγρασίας 0% έως 90% (χωρίς συμπύκνωση)			
<b>ΠΡΟΤΥΠΑ</b>				
<b>Ασφάλεια / Πρότυπο</b>	CE RoHS			



### **X3 EX 1200/1600/2000/3000:**

Δωρεάν ασφάλιση για το συνδεδεμένο εξοπλισμό αξίας έως και 150.000 ευρώ. Διαβάστε τους όρους και εγγραφείτε μέσα σε 10 ημέρες από την ημερομηνία αγοράς στην τοποθεσία web: [www.infosec-ups.com](http://www.infosec-ups.com).





# Руководство пользователя

Для правильной установки и эксплуатации данного изделия настоятельно рекомендуем внимательно прочитать настоящее руководство пользователя.

## **1. ВВЕДЕНИЕ**

Модельный ряд X3 EX включает высокоэффективные ИБП с прямым подключением к персональному компьютеру через порт USB. ИБП имеет функцию автоматического регулирования, которая обеспечивает сбалансированное выходное питание и гарантирует полноценную защиту серверов и их периферийного оборудования в случае сбоев или колебаний питания. Если происходит сбой питания: прекращение подачи электроэнергии, скачок напряжения или кратковременное перенапряжение, ИБП очень быстро переведет подключенное компьютерное оборудование на аварийный источник питания. Это позволит вам выполнить резервное копирование, закрыть работающие программы и нормально выключить систему. В условиях нормального питания X3 EX будет постоянно поддерживать заряд аккумуляторной батареи и оставаться полностью прозрачен при выполнении любых операций. Другими словами, это многофункциональное устройство бесперебойного питания упростит выполнение ваших задач. При помощи светодиодов или ЖК-экрана вы сможете легко проверить его рабочее состояние и степень заряженности аккумулятора. Этот высокотехнологичный ИБП обеспечит ваше компьютерное оборудование надежным питанием со стабильными параметрами. Основные характеристики ИБП X3 EX перечислены ниже.

## **2. ОСНОВНЫЕ ХАРАКТЕРИСТИКИ**

- Высоконадежное микропроцессорное управление
- Автоматическая стабилизация выходного напряжения (ACH)
- Встроенный коммуникационный порт USB
- Стабилизация и нормализация выходного напряжения
- Функция пуска из холодного состояния при отсутствии питания
- Заряд в выключенном состоянии
- Функция Green Power для экономии электроэнергии
- Автоматический перезапуск при восстановлении сетевого питания
- Компактный размер, небольшой вес
- Защита от скачков напряжения для телефона / модема или локальной сети (разъемы RJ45)

## **3. ПРАВИЛА ТЕХНИКИ БЕЗОПАСНОСТИ**

### **ВАЖНО!**

Прежде чем приступать к установке устройства, внимательно ознакомьтесь со следующими инструкциями и надежно сохраните настоящее руководство. Включать устройство и пользоваться им разрешается только после полного и внимательного ознакомления со всей информацией о мерах безопасности и содержанием инструкции по эксплуатации. Установка и подключение должны выполняться в соответствии с местными электротехническими нормативами и действующим законодательством. В случае установки и подключения системы ИБП с нарушением норм общепринятой практики компания Infosec Communication снимает с себя любую ответственность.

### **Транспортировка**

1. Для защиты системы ИБП от сотрясений и ударов ее транспортировка должна осуществляться только в оригинальной упаковке.
- **Подготовка и правила обращения с изделием:**

1. При быстром перемещении системы ИБП с холода в теплое помещение в ней может произойти конденсация влаги. Установку системы ИБП разрешается начинать только после полного испарения сконденсировавшейся влаги. Для акклиматизации в новых условиях системе ИБП требуется минимум два часа.
2. Не допускается установка системы ИБП вблизи воды или в условиях повышенной влажности.
3. Не допускается установка системы ИБП под воздействием прямого солнечного света или вблизи источников тепла.
4. Запрещается заслонять вентиляционные отверстия в корпусе ИБП. ИБП необходимо устанавливать в месте с хорошей вентиляцией. Для обеспечения нормальной вентиляции со всех сторон ИБП должно быть достаточно свободного пространства.
5. Сетевая розетка, к которой подключен ИБП, должна находиться вблизи ИБП и быть легко доступной.
6. ИБП необходимо устанавливать в помещении с регулируемой температурой и влажностью, в котором отсутствуют электромагнитные помехи.
7. Если необходимо протереть ИБП (влажной тканевой салфеткой, использование чистящих средств запрещается), его необходимо выключить и отключить от сети.
8. Запрещается ставить сосуды с жидкостью на ИБП или вблизи него.
9. Кабели необходимо размещать так, чтобы на них никто не наступал и об них было невозможно споткнуться.
10. Примите меры для предотвращения попадания жидкостей или посторонних предметов внутрь системы ИБП

▪ **Возможность поражения электротоком:**

1. В оборудовании ИБП используются потенциально опасные напряжения. Запрещается вскрывать это оборудование, поскольку в нем нет компонентов, к которым пользователям необходимо иметь доступ для ремонта, за исключением замены предохранителя.
2. Внимание – возможность поражения электротоком. Цепи аккумуляторной батареи не изолированы от входного напряжения. Между клеммами аккумуляторной батареи и заземлением может присутствовать опасное напряжение. Прежде чем прикасаться к ним, необходимо убедиться в отсутствии напряжения!
3. При работе системы ИБП в ней присутствуют опасные напряжения. Ремонт системы разрешается выполнять только квалифицированным специалистам по техническому обслуживанию.
4. Сетевая розетка должна находиться вблизи оборудования и быть легко доступной. Для отключения ИБП от сети переменного тока и его выключения извлеките вилку из сетевой розетки.
5. При работе системы ИБП запрещается отключать ее сетевой шнур от розетки или выключать розетку (заземленную розетку с защитой от поражения электротоком), поскольку при этом также отключится защитное заземление системы ИБП и всех подключенных приборов.
6. ИБП имеет собственный внутренний источник питания (аккумуляторную батарею). Есть вероятность, что выходные розетки ИБП будут под напряжением даже после отключения ИБП от сети переменного тока.
7. При возникновении аварийной ситуации переведите выключатель питания ИБП в выключенное положение (Off) и извлеките вилку из сетевой розетки.
8. При неполадках с ИБП необходимо ознакомиться с разделом: **«Поиск и устранение неисправностей»** и позвонить на горячую линию.

9. При наличии внешней аккумуляторной батареи должно обеспечиваться эквипотенциальное заземление

▪ **Подключение устройств:**

1. Совместный ток утечки ИБП и подключенной аппаратуры не должен превышать 3,5 мА.
2. Убедитесь, что подключенная нагрузка не превышает возможности ИБП. Для обеспечения повышенного времени резервирования и продления срока службы аккумуляторной батареи рекомендуется подбирать нагрузку, эквивалентную 1/3 номинальной мощности.
3. Запрещается подключать к выходным розеткам или клеммам ИБП приборы или устройства, которые вызовут перегрузку ИБП (мощное оборудование, например, двигатель).
4. Не подключайте вход ИБП к его собственной выходной розетке.
5. Не подключайте ИБП к удлинителю или сетевому фильтру.
6. Настоящий ИБП предназначен для питания персональных компьютеров. Его запрещается использовать для питания электротехнического или электронного оборудования с индуктивной нагрузкой, например, двигателей или ламп дневного света.
7. Запрещается подключать к ИБП бытовые приборы, например, микроволновые печи, пылесосы, фены, а также системы жизнеобеспечения.
8. Из-за слишком высокого уровня энергопотребления к ИБП запрещается подключать лазерные принтеры.
9. Во избежание возможности возникновения пожара новый предохранитель должен быть только такого же типа и номинала.
10. Используйте только вилки СЕЕ 7/7

▪ **Информация об аккумуляторах:**

1. Замена аккумуляторной батареи должна выполняться квалифицированным электриком.
2. Прежде чем приступить к любым работам по сервисному или техническому обслуживанию, отключите аккумуляторные батареи и убедитесь в отсутствии тока и опасного напряжения на выводах конденсаторов большой емкости, например, конденсаторов шины.
3. Запрещается помещать аккумуляторы в огонь, так как они могут взорваться.
4. **Запрещается разбирать или повреждать аккумулятор!** Электролит, главным компонентом которого является серная кислота, может вызвать отравление, а также ожоги кожи и глаз. При контакте с ним его необходимо смыть большим количеством воды, а также удалить с одежды.
5. Запрещается бросать аккумулятор в огонь. Он может взорваться. После окончания срока службы он подлежит утилизации по особым правилам. Это регулируется местным законодательством и нормативами.
6. В ИБП имеется один или два аккумулятора большой емкости. Запрещается вскрывать их во избежание поражения электротоком. Если необходимо провести сервисное обслуживание или замену аккумуляторной батареи, свяжитесь с дистрибьютором.
7. Сервисное обслуживание должно выполняться или контролироваться компетентным персоналом, с принятием необходимых мер предосторожности. Запрещается обращение не уполномоченного персонала с аккумуляторными батареями.

8. Аккумуляторная батарея может создавать возможность поражения электротоком, и при небрежном обращении с ней возможно короткое замыкание. Технический персонал обязан принимать следующие меры предосторожности:
- ✓ Необходимо снять с рук часы, кольца и другие металлические предметы.
  - ✓ Необходимо пользоваться инструментами с изолированными ручками.
  - ✓ Прежде чем подключать или отключать клеммы аккумулятора, следует выключить источник зарядного тока.
  - ✓ При замене аккумуляторов устанавливайте такое же количество герметичных свинцовых аккумуляторов того же типа.

#### **4. УКАЗАНИЯ ПО ХРАНЕНИЮ**

ИБП необходимо хранить с полностью заряженным аккумулятором. Нежелательно хранить при температурах выше 20°C, так как это значительно сократит срок службы аккумулятора. Необходимо перезаряжать ИБП каждые 3 месяца. Это осуществляется путем подключения устройства к сети питания на 24 часа. Отдельно хранящиеся аккумуляторы необходимо перезаряжать каждые 3 месяца. В противном случае они могут быть повреждены. Запрещается хранить или использовать ИБП в следующих условиях:

- ✓ В присутствии горючего газа, веществ, вызывающих коррозию, или большого количества пыли.
- ✓ В местах с очень высокой или низкой температурой (выше 40°C или ниже 0°C) и влажностью выше 90%.
- ✓ Под воздействием прямого солнечного света или тепла обогревателя.
- ✓ По воздействию значительной вибрации.
- ✓ Не в помещении.

При возникновении пожара вблизи устройства необходимо использовать порошковый огнетушитель. Использование жидкостных огнетушителей может привести к поражению электротоком.

#### **5. ПОСЛЕПРОДАЖНОЕ ОБСЛУЖИВАНИЕ**

##### **ВАЖНО!**

При обращении в отдел послепродажного обслуживания, пожалуйста, имейте наготове следующую информацию – она потребуется независимо от проблемы: модель ИБП, серийный номер и дата приобретения.

Дайте точное описание проблемы, включая следующую информацию: тип оборудования, подключенного к ИБП, статус светодиодных индикаторов, статус звукового сигнала, условия, в которых находится устройство.

Требуемую техническую информацию можно обнаружить на гарантийном талоне или идентификационной табличке, расположенной на задней стенке устройства. Для вашего удобства можете указать ее ниже.

<b>Модель</b>	<b>Серийный номер</b>	<b>Дата приобретения</b>
<b>X3 EX ...</b>		

! Пожалуйста, сохраняйте упаковку. Она потребуется в случае возврата ИБП в отдел послепродажного обслуживания.

- **Соответствие требованиям Европейского Сообщества:**

**CE** Этот логотип означает, что изделие соответствует стандартам ЭМС и LVD (касающимся нормативов для напряжения и электромагнитных полей электрооборудования) и отвечает требованиям директивы об ограничении использования некоторых вредных веществ в электрическом и электронном оборудовании.

Настоящее изделие является источником бесперебойного питания категории С2. В условиях жилой застройки настоящее изделие может создавать помехи в радиодиапазоне, в этом случае пользователь может быть обязан принять дополнительные меры (только для 220/230/240 вольт переменного тока).

**ВАЖНО**

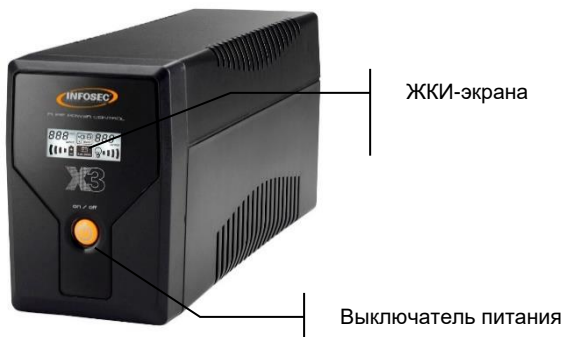


ИБП относится к категории электронного и электротехнического оборудования. По окончании срока службы он подлежит утилизации отдельно от остальных отходов и по соответствующей технологии. Этот символ также имеется на аккумуляторах, входящих в комплект настоящего устройства, это означает, что по окончании их эксплуатации они подлежат сдаче в специализированную службу.

За информацией о правильной утилизации старого аккумулятора обратитесь в местные органы охраны окружающей среды.

## 6. ОПИСАНИЕ

### X3 EX – 500/650/800/1000 - ПЕРЕДНЯЯ ПАНЕЛЬ



### X3 EX – 1200/1600/2000/3000 - ПЕРЕДНЯЯ ПАНЕЛЬ

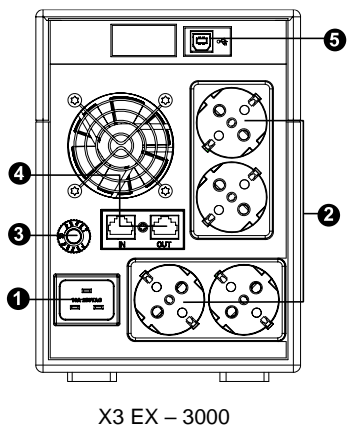
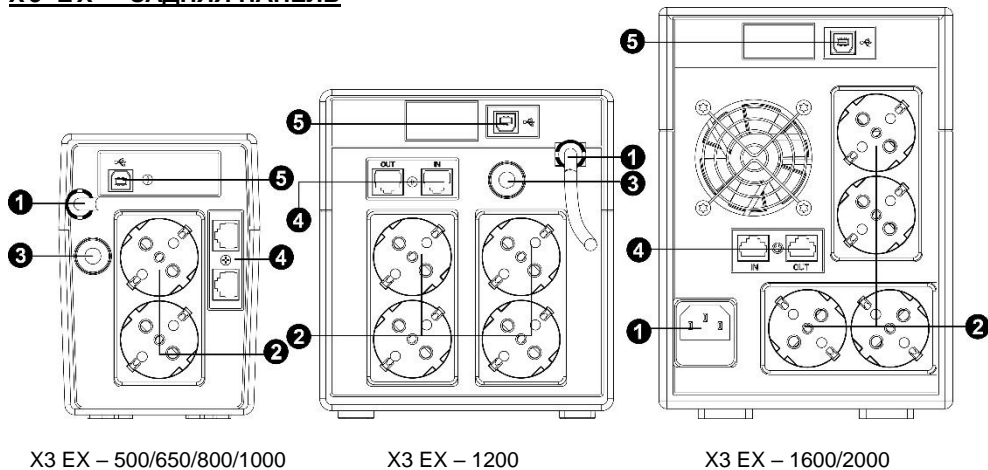


### ЖКИ-экрана



- 1 - Входное напряжение
- 2 - Выходное напряжение
- 3 - Индикатор работы от сети – мигает при регулировании напряжения
- 4 - Индикатор работы от аккумулятора
- 5 - Указатель уровня нагрузки – мигает при перегрузке
- 6 - Индикатор остатка заряда аккумулятора – мигает при разряде аккумулятора

## X3 EX - ЗАДНЯЯ ПАНЕЛЬ



- 1 – Кабель сетевого питания
- 2 – Защищенные розетки ИБП
- 3 – Входной прерыватель
- 4 – Защищенные розетки RJ11/45
- 5 - Коммуникационный порт USB

*\* Для использования с вилками FR/Schuko CEE 7-7*

## 7. УСТАНОВКА И ЭКСПЛУАТАЦИЯ

### **1. Проверка**

После получения оборудования вскройте упаковку и убедитесь, что ваш ИБП не поврежден. Упаковка должна содержать следующее:

**X3 EX 500/650/800/1000:** ИБП и руководство пользователя.

**X3 EX 1200:** ИБП и руководство пользователя.

**X3 EX 1600/2000:** ИБП и руководство пользователя.

**X3 EX 3000:** Блок ИБП, руководство пользователя, входной кабель.

### **2. Зарядка аккумулятора**

Устройство поставляется с завода с полностью заряженным аккумулятором. Однако часть заряда может быть потеряна за время поставки, поэтому перед началом использования аккумулятор требуется перезарядить. Включите устройство в сеть и дайте ему полностью зарядиться без нагрузки в течение 8 часов.

ИБП автоматически подзаряжает аккумуляторы, когда находится в положении «ВКЛ.». Вы можете начинать использовать ИБП немедленно, но время автономной работы может быть меньше номинального значения.

### **3. Место установки**

ИБП предназначен для эксплуатации в помещениях при температуре окружающего воздуха от 0° до 40° и относительной влажности в диапазоне от 0 % до 90% (без конденсации).

Не закрывайте вентиляционные щели. Устанавливайте устройство в месте, где нет пыли, паров химических соединений и токопроводящих сред. Кроме того, для избежания возникновения помех размещайте ИБП на расстоянии не менее 20 см от ЦПУ (центрального процессора).

### **4. Подключение**

Проверьте данные на идентификационной табличке на задней стенке ИБП и убедитесь, что напряжение соответствует вашему напряжению сети, а нагрузка не превышает мощности устройства. Вставьте кабель питания блока UPS в 2-конт., заземленную розетку. Затем подключите устройства компьютера на задней стороне блока.

### **5. Включение/выключение**

Для включения ИБП нажмите кнопку включения питания. Для выключения нажмите на эту кнопку повторно. Make sure that the power switch is kept in "on" position, otherwise the UPS will be disabled and your equipment not protected in case of power failure.

**Примечание:** Для продления срока службы ИБП его необходимо включать в первую очередь, до включения персонального компьютера и прочих нагрузок, и выключать после выключения всех подключенных нагрузок.

### **6. Пуск от постоянного тока**

Устройства X3 EX оснащены встроенной функцией пуска от постоянного тока. Для пуска ИБП при отсутствии питания в сети и полностью заряженном аккумуляторе, нажмите эту кнопку.

### **7. Функция энергосбережения**

Устройства X3 EX оснащены функцией энергосбережения. Если к ИБП не подключена нагрузка, он автоматически отключится через 5 минут для экономии энергии в случае отказа питания. Кнопка включения должна оставаться в положении «ВКЛ.», иначе ИБП отключится полностью и ваше оборудование не будет защищено в случае отказа питания.

### **8. Подключение телефона/модема/локальной сети для защиты от скачков напряжения**

Подключите одну линию для модема/телефона к розетке «IN», защищенной от скачков напряжения, на задней панели ИБП. Подключите компьютер к розетке «OUT» телефонным кабелем.

**Внимание!** При неправильной установке может выйти из строя грозовой разрядник телефонной линии. Настоящее устройство защиты от скачков напряжения предназначено



для использования только в помещении. Запрещается монтировать телефонную линию во время грозы.

**Примечание:** Это подключение не входит в стандартный комплект.

## **8. ПОДКЛЮЧЕНИЕ К КОМПЬЮТЕРУ**

Во избежание внезапного выключения компьютера подключите кабель USB к компьютеру. После этого можно установить и использовать программное обеспечение автоматического выключения (Бесплатная загрузка с сайта).

Коммуникационный порт USB на задней панели ИБП дает возможность компьютеру непосредственно управлять состоянием ИБП.

Главные функции следующие:

- Подача визуального сигнала при сбое питания
- Автоматическое закрытие файлов до полной разрядки аккумулятора
- Выключение компьютера и ИБП

Дополнительную информацию можно получить на сайте [www.infosec-ups.com](http://www.infosec-ups.com)

## **9. АККУМУЛЯТОР**

Аккумулятор является единственным компонентом ИБП с ограниченным сроком службы. Продолжительность его использования составляет 3-5 лет. Однако частые сильные разрядки или эксплуатация при температурах свыше 20°C уменьшат его срок службы. Поэтому мы рекомендуем пользователям перезаряжать аккумулятор каждые 3 месяца при неиспользовании устройства для компенсации естественной разрядки. Время автономной работы ИБП зависит от подключенной нагрузки, а также возраста и состояния аккумуляторной батареи.

### ***ВНИМАНИЕ!***

Замена аккумуляторов должна производиться только квалифицированным техническим персоналом. У аккумуляторов очень высокий ток короткого замыкания: **ошибки при установке могут вызвать возникновение электрических дуг, ведущих к серьезным ожогам.**

## **10. УСТРАНЕНИЕ НЕИСПРАВНОСТЕЙ**

При неправильной работе ИБП рекомендуем вам проверить следующие моменты перед звонком в «горячую линию».

### **Перечень вопросов для проверки:**

- Главный выключатель в положении «ВКЛ.»?
- ИБП включен в розетку сети питания?
- Напряжение питания соответствует указанному на устройстве?
- Не перегорел ли предохранитель?
- ИБП не перегружен?
- Не разряжен ли аккумулятор или, может быть, он неисправен?

<b>ПРОБЛЕМА</b>	<b>ВОЗМОЖНАЯ ПРИЧИНА</b>	<b>РЕШЕНИЯ</b>
Не горят светодиодные индикаторы (или отсутствует индикация на ЖК-дисплее) на передней панели.	Аккумулятор разряжен	Заряжайте аккумулятор до 6 часов.
	Аккумулятор неисправен.	Замените на аккумулятор того же типа.
	ИБП не включен.	Снова нажмите выключатель питания, чтобы включить ИБП.
Напряжение электросети в норме, но непрерывно подается звуковой сигнал.	Перегрузка ИБП.	Проверьте соответствие нагрузки мощности ИБП, указанной в спецификациях.
В случае сбоя питания время резервирования сокращается.	Перегрузка ИБП.	Отключите оборудование, не имеющее особой важности.
	Падение напряжения аккумулятора.	Заряжайте аккумулятор до 6 часов.
	Неисправность аккумулятора из-за высокой температуры окружающего воздуха или неправильной эксплуатации аккумулятора.	Замените на аккумулятор того же типа.
Напряжение электросети в норме, но ИБП работает от аккумулятора.	Плохо подключен сетевой шнур.	Надежно подключите сетевой шнур.

## 10. ТЕХНИЧЕСКИЕ СПЕЦИФИКАЦИИ

	ХЗ EX-500	ХЗ EX-650	ХЗ EX-800	ХЗ EX-1000
<b>ТЕХНОЛОГИЯ</b>				
Технология	Технология Line Interactive с автоматической регулировкой напряжения			
Мощность	500 В-А	650 В-А	800 В-А	1000 В-А
Выходная форма	Модифицированная синусоида			
Защита	От разряда/перезаряда, короткого замыкания и перегрузки + защита линии факс-модема			
Коэффициент мощности	0,5	0,55	0,6	0,5
<b>ФИЗИЧЕСКИЕ ХАРАКТЕРИСТИКИ</b>				
Габариты Ш x Д x В	287 x 100 x 142			
Масса, кг	3,95	4,25	4,9	5,2
Выходные разъемы	2 защитных контакта/ розетки блока UPS с защитой от отказа 1 RJ11/45 (вход/выход) с защитой от перенапряжения 1 порт USB			
<b>ВХОД</b>				
Напряжение	220/230/240 V			
Диапазон напряжений	162-290 VAC			
<b>ВЫХОД</b>				
Напряжение	220/230/240 V			
Регулировка (batt mode)	± 10 %			
Частота	50 или 60 Hz ± 1 Hz (автоматическое определение)			
<b>АККУМУЛЯТОР</b>				
Тип	12V/7AH*1	12V/7AH*1	12V/9AH*1	12V/9AH*1
Время автономной работы (отключен 1 компьютер)	10 минут	12 минут	15 минут	15 минут
Время перезарядки	10 часов до 90% при полном разряде			
<b>ОКРУЖАЮЩАЯ СРЕДА</b>				
Условия эксплуатации	0° C - 40° C, относительная влажность от 0 до 90 % (без конденсата)			
<b>СТАНДАРТЫ</b>				
Безопасность / Стандарт	CE RoHS			



### ХЗ EX 500 / 650 / 800 / 1000:

Бесплатное страхование подключенного оборудования на сумму до 120.000 евро.

Ознакомиться с условиями и зарегистрироваться в течение 10 дней с даты покупки можно на Интернет-сайте: [www.infosec-ups.com](http://www.infosec-ups.com).

	<b>X3 EX-1200</b>	<b>X3 EX-1600</b>	<b>X3 EX-2000</b>	<b>X3 EX-3000</b>
<b>ТЕХНОЛОГИЯ</b>				
<b>Технология</b>	Технология Line Interactive с автоматической регулировкой напряжения			
<b>Мощность</b>	1200 В-А	1600 В-А	2000 В-А	3000 В-А
<b>Выходная форма</b>	Модифицированная синусоида			
<b>Защита</b>	От разряда/перезаряда, короткого замыкания и перегрузки + защита линии факс-модема			
<b>Коэффициент мощности</b>	0,5	0,55	0,6	0,6
<b>ФИЗИЧЕСКИЕ ХАРАКТЕРИСТИКИ</b>				
<b>Габариты Ш x Д x В</b>	350 x 146 x 160	397 x 145 x 205		
<b>Масса, кг</b>	8	11,1	12,5	15,2
<b>Выходные разъемы</b>	4 защитных контакта/ розетки блока <i>UPS</i> с защитой от отказа 1 RJ11/45 (вход/выход) с защитой от перенапряжения 1 порт USB	4 защитных контакта/ розетки блока <i>UPS</i> с защитой от отказа 1 RJ11/45 (вход/выход) с защитой от перенапряжения 1 порт USB		
<b>ВХОД</b>				
<b>Напряжение</b>	220/230/240 V			
<b>Диапазон напряжений</b>	162-290 VAC			
<b>ВЫХОД</b>				
<b>Напряжение</b>	220/230/240 V			
<b>Регулировка (batt mode)</b>	± 10 %			
<b>Частота</b>	50 или 60 Hz ± 1 Hz (автоматическое определение)			
<b>АККУМУЛЯТОР</b>				
<b>Тип</b>	12V/7AH*2	12V/9AH*2	12V/9AH*2	12V/10AH*2
<b>Время автономной работы (отключен 1 компьютер)</b>	30 минут	40 минут	50 минут	75 минут
<b>Время перезарядки</b>	10 часов до 90% при полном разряде			
<b>ОКРУЖАЮЩАЯ СРЕДА</b>				
<b>Условия эксплуатации</b>	0° C - 40° C, относительная влажность от 0 до 90 % (без конденсата)			
<b>СТАНДАРТЫ</b>				
<b>Безопасность / Стандарт</b>	CE RoHS			



### **X3 EX 1200/1600/2000/3000:**

Бесплатное страхование подключенного оборудование на сумму до 150.000 евро.

Ознакомиться с условиями и зарегистрироваться в течение 10 дней с даты покупки можно на Интернет-сайте: [www.infosec-ups.com](http://www.infosec-ups.com).



## دليل المستخدم

لضمان تركيب هذا المنتج بصورة صحيحة واستخدامه بالشكل المناسب، نوصي بقراءة دليل المستخدم بعناية فائقة.

### 1. مقدمة

تشكيلة X3 EX عبارة عن وحدات عالية الأداء من مزودات الطاقة اللامنقطعة، لها اتصال مباشر بالكمبيوتر الشخصي بواسطة منفذ USB.

تأتي كل وحدة مزودة بأداة تحكم بمستويات عالية في مصدر التزويد بالطاقة الخاصة بمزود الطاقة اللامنقطعة. يوفر مزود الطاقة اللامنقطعة تياراً ثابتاً من خلال تنظيم ذاتي. ومن هنا، هو يقدم حماية كاملة للحواد والمجهزة الطرفية لديك في حال حدوث تغييرات في الطاقة أو انقطاعها أو انقطاعات الطاقة القصيرة.

في حال تعطل الطاقة بسبب انقطاعات هذه الأخيرة أو اضطرابات، أو بسبب فرط عابر في الفولطية، يقوم مزود الطاقة اللامنقطعة بسرعة بتحويل أجهزة الكمبيوتر لديك إلى مصدر طاقة بديل. يسمح ذلك بإجراء نسخ احتياطي، وإيقاف البرامج، وإيقاف تشغيل الكمبيوتر بالشكل الصحيح. في الظروف العادية لتزويد الأجهزة بالطاقة، يعمل X3 على المحافظة على شحن البطارية بصورة مستمرة بحيث يصبح شفافاً بالكامل لدى إجرائك لكافة العمليات. بمعنى آخر، سيقوم هذا النوع من التزويد اللامنقطع والمتعدد الوظائف للطاقة بتبسيط مهامك.

وستتمكن من التحقق من حالة تشغيل المزود المذكور بسهولة، إضافة إلى مستوى الشحن فيه، وذلك باستخدام المؤشرات الضوئية أو شاشة LCD. يضمن مزود الطاقة اللامنقطعة المتطور هذا تزويد أجهزة الكمبيوتر لديك بطاقة ثابتة وموثوقة. إن الميزات الأساسية لتشكيلة X3 EX مفصلة أدناه.

### 2. الخصائص الأساسية

- يضمن عنصر تحكم المعالج الصغري وثوقية عالية
- مزود بمنظم تلقائي للفولطية (AVR)
- منفذ اتصال USB مُدمج
- ينظم فولطية الدخول ويثبتها
- يتميز بميزة إعادة التشغيل الفوري (في برودة)
- شحن تلقائي للبطارية بعد إيقاف التشغيل
- وظيفة توفير الطاقة
- إعادة تشغيل تلقائي بعد عودة التيار الكهربائي
- حجم صغير، وزن خفيف
- حماية خط الهاتف/الفاكس/المودم (موصلات RJ11/45)

### 3. تعليمات السلامة - الأمان

#### ■ خطر صدمة كهربائية:

- ◇ تستخدم وحدة مزود الطاقة اللامنقطعة فولطيات من المحتمل أن تكون خطيرة. لا تحاول فك هذه المعدات إذ أنها لا تحتوي على مكونات يمكن الوصول إليها وإصلاحها من قبل المستخدمين باستثناء المصهر.
- ◇ يجب أن تتم عمليات الإصلاح فقط على يد اختصاصيين فنيين ومؤهلين لذلك.
- ◇ يجب أن يكون مخرج الطاقة قريباً من المعدات كما يجب أن يكون الوصول إليه سهلاً. لفصل مزود الطاقة اللامنقطعة عن مدخل التيار، قم بإزالة كبل الإمداد من مخرج الطاقة الخاص بالأداة.
- ◇ يجب تركيب مأخذ التيار الذي يغذي مزود الطاقة اللامنقطعة بالقرب من هذا الأخير، ويجب أن يكون الوصول إليه سهلاً.

- ◊ يتمتع مزود الطاقة اللانمقطعة بمصدر تزويد داخلي بالطاقة (بطارية). ثمة خطر أن تكون مأخذ المخارج لا تزال مزودة بالطاقة بعد قطع اتصال مزود الطاقة اللانمقطعة عن مصدر التيار الكهربائي.
- ◊ لا يجب تركيب مزود الطاقة اللانمقطعة في مكان مرتفع الحرارة أو كثير الرطوبة.
- ◊ لا يجب تعريضه لأشعة الشمس المباشرة أو لمصادر حرارة أخرى. لا تغطي فتحات التهوية.
- ◊ اقطع اتصال مزود الطاقة اللانمقطعة عن مصدر التيار الكهربائي قبل تنظيفه بقطعة قماش رطبة (منتجات التنظيف ممنوعة سواء السائلة أو عن طريق البخ).
- ◊ في حالات الطوارئ، قم بتبديل مزود الطاقة اللانمقطعة إلى وضع "إيقاف التشغيل"، واقطع اتصال الوحدة عن مصدر التيار الكهربائي.
- ◊ عندما يتوقف مزود الطاقة اللانمقطعة عن الاشتغال، يرجى مراجعة "المقطع 10: استكشاف الأخطاء وإصلاحها" والاتصال بالخط الساخن.

### ■ المنتجات المتصلة:

- ◊ لا يجب أن يتجاوز إجمالي تيار التسرب الخاص بمزود الطاقة اللانمقطعة وبالأجهزة المتصلة 3.5 ملي أمبير.
- ◊ تأكد من أن الشحنة المتصلة لا تتجاوز قدرات مزود الطاقة اللانمقطعة: لضمان وقت احتياطي محسن، وحياة أطول للبطارية، نوصي بشحن تساوي ثلث القدرة الاسمية.
- ◊ لا تضع أي أوعية تحتوي على سوائل على مزود الطاقة اللانمقطعة أو بالقرب منه.
- ◊ لا توصل مدخل مزود الطاقة اللانمقطعة بمخرجه.
- ◊ لا توصل مزود الطاقة اللانمقطعة عبر مقبس متعدد المخارج أو مقبس واقى من الموجات العالية.
- ◊ تم تصميم مزود الطاقة اللانمقطعة لأجهزة الكمبيوتر الشخصية. فلا يمكن استخدامه مع التجهيزات الكهربائية أو الإلكترونية ذات حمل حثي، كالمحركات أو المصابيح الفلورية ولا الشحن المقاومة.
- ◊ لا تقم بتوصيل أي من التجهيزات المنزلية، كالميكرويف، أو المكثفة الكهربائية، أو مجفف الشعر، أو أجهزة الإعاشة، بمزود الطاقة اللانمقطعة.
- ◊ لاتصل سوى مقابس CEE 7/7
- ◊ بسبب الاستهلاك المفرط للطاقة، يُحظر توصيل طابعات الليزر بمزود الطاقة اللانمقطعة.

### ■ حول البطاريات:

- ◊ يوصى بأن يقوم اختصاصي فني بتغيير البطارية.
- ◊ يُحظر رمي البطارية في النار لتفادي خطر الانفجار.
- ◊ لا تفتح البطارية أو تتلفها. قد تحتوي على مواد سامة تضر البشرة أو العينين.
- ◊ يحتوي مزود الطاقة اللانمقطعة على بطارية واحدة أو على بطاريتين بقدرة عالية. لا يجب فتح علبة البطارية من أجل تجنب أي خطر لحدوث صدمة كهربائية. إذا استلزم الأمر لصيانة أو استبدال البطارية، يرجى الاتصال مباشرة بالموزع.
- ◊ يجب دوماً أن تتم الصيانة وأعمال الإصلاح أو أن يتم الإشراف عليها من قبل موظفين كفاء يتخذون التدابير الوقائية اللازمة. ابقى الموظفين غير المخولين بعيداً عن البطاريات.
- ◊ قد تتسبب البطارية بصدمة كهربائية وبقتصر الدارة. يجب أن يحترم الاختصاصي الفني المعني التدابير الوقائية التالية:

- 1) خلع الساعة أو الخواتم أو أي أشياء معدنية من يده.
- 2) استخدام الأدوات ذات مقابض معزولة.
- 3) فصل مزود الطاقة اللانمقطعة عن مصدر التيار الكهربائي.
- 4) لاستبدال البطاريات، يجب استخدام نفس العدد ونفس الطراز من البطاريات.

#### 4. تعليمات التخزين

يجب دوماً تخزين مزود الطاقة اللامنقطعة بعد أن يكون قد تم شحن بطاريته بالكامل. في حال وجوب تخزين البطاريات لمدة طويلة، يجب إعادة شحنها مرة كل ثلاثة أشهر طوال 24 ساعة (وذلك عبر توصيل مزود الطاقة اللامنقطعة بمصدر طاقة المأخذ، وضغط الزر "تشغيل") من أجل تجنب أي تراجع في أداء البطارية.  
لا تحفظ مزود الطاقة اللامنقطعة أو تستخدمه في أي من البيئات التالية:

- ✓ أي منطقة فيها غازات قابلة للاحتراق، أو مواد أكالة، أو غبار كثيف.
- ✓ المناطق التي تشهد درجات حرارة عالية جداً أو منخفضة جداً (فوق 40 درجة مئوية أو تحت درجة الصفر ونسب رطوبة مفرطة تزيد عن 90 بالمئة).
- ✓ المناطق المعرضة لأشعة الشمس المباشرة أو القريبة من أي آلات تسخين.
- ✓ المناطق المعرضة لاهتزاز كبير.
- ✓ في الخارج.

في حال اندلاع نار في منطقة مجاورة، يرجى استخدام مطافئ البودرة الجافة. قد يتسبب استخدام مطافئ السوائل بخطر صدمة كهربائية.

#### 5. خدمة ما بعد البيع

##### !!هام

عند الاتصال بقسم الدعم ما بعد البيع، يرجى تحضير المعلومات التالية، فستكون مطلوبة بغض النظر عن طبيعة المشكلة:  
طراز مزود الطاقة اللامنقطعة، والرقم التسلسلي، وتاريخ الشراء.  
وصف دقيق للمشكلة، مع توفير التفاصيل التالية: نوع الأجهزة التي يتم تشغيل مزود الطاقة اللامنقطعة معها، حالة المؤشرات الضوئية، حالة التنبيه، ظروف التركيب والظروف البيئية.  
ستجد المعلومات الفنية التي تطلبها مبينة على قسيمة الضمان أو على لوحة التعريف الموجودة على الجهة الخلفية من الوحدة. إذا دعت الحاجة، يمكنك إدخال التفاصيل في الخانات التالية.

الطراز	الرقم التسلسلي	تاريخ الشراء
...X3 EX		

! يرجى الاحتفاظ بالغلاف الأصلي. فسيكون مطلوباً في حال ما تمت إعادة مزود الطاقة اللامنقطعة إلى قسم ما بعد البيع.

##### هام:

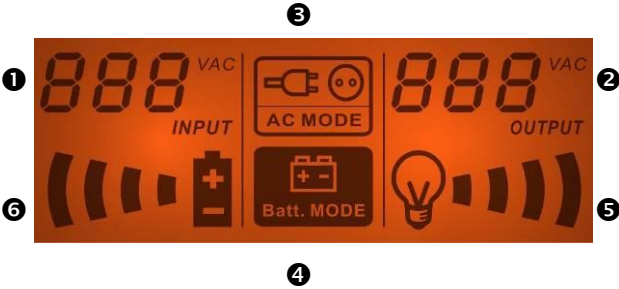


يندرج مزود الطاقة اللامنقطعة في فئة التجهيزات الكهربائية والإلكترونية. في نهاية عمره ، يجب تجميعه بصورة منفردة ولا يجب أن يُرمى مع القمامات المنزلية.

X3 EX – 500/650/800/1000 الواجهة الأمامية له



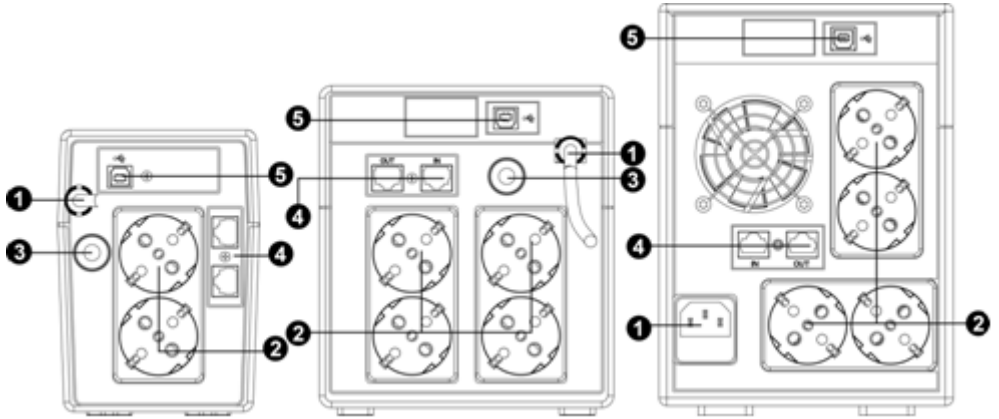
X3 EX – 1200/1600/2000 الواجهة الأمامية له





- 1- فولتية المدخل
- 2- فولتية المخرج
- 3- مؤشر الإمداد العادي بالطاقة - ومضات عند تنظيم الجهد
- 4- مؤشر وضع البطارية
- 5- مؤشر مستوى التحميل - يشير الوميض إلى تحميل زائد
- 6- مؤشر قدرة البطارية - يشير الوميض إلى انخفاض شحن البطارية

**الواجهات الخلفية**



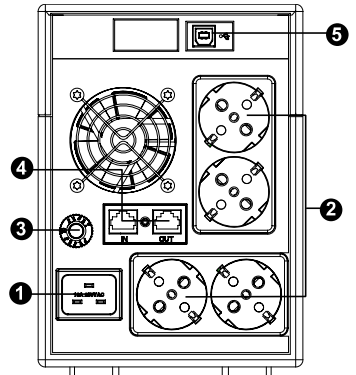
X3 EX –  
500/650/800/1000

X3 EX – 1200

X3 EX – 1600/2000

- 1- كابل امداد الكهرباء
- 2- مقابس محمية\*
- 3- مصهر للتغذية
- 4- موصلات RJ11/45
- 5 - منفذ اتصال USB

\* يستخدم مع قوابس FR/Schuko CEE /7-7



X3 EX – 3000

## 7. التركيب والتشغيل

### **1. التحقق**

بعد استلام التجهيزات، افتح العلبة وتحقق من أنه لم يتعرض مزود الطاقة اللامنقطعة لأي ضرر. يجب أن تتضمن العلبة:  
X3 EX 500/650/800/1000: وحدة مزود الطاقة اللامنقطعة ودليل المستخدم.  
X3 EX 1200: وحدة مزود الطاقة اللامنقطعة ودليل المستخدم.  
X3 EX 1600/2000: وحدة مزود الطاقة اللامنقطعة ودليل المستخدم.  
في حال حدوث ضرر، يرجى إرسال شكوى عادية إلى قسم خدمة ما بعد البيع.  
X3 EX 3000: وحدة مزود الطاقة اللامنقطعة ودليل المستخدم. وسلك طاقة الإدخال

### **2. شحن البطاريات**

يتم شحن الوحدة من المصنع، بعد أن يتم شحن البطارية الداخلية بالكامل، ولكن، قد تفقد قدراً معيناً من الشحن خلال نقل المنتجات، ولا بد من إعادة شحن البطارية قبل استخدامها. قم بتوصيل الوحدة بمصدر الطاقة المناسب واترك مزود الطاقة اللامنقطعة موصلاً لشحن كامل، من دون حمل، لمدة لا تقل عن أربع ساعات.

### **3. المكان والتركيب**

تم تصميم مزود الطاقة اللامنقطعة ليعمل في بيئة محمية تتميز بدرجات حرارة تتراوح بين صفر و 40 درجة مئوية وبمستوى رطوبة يتراوح بين صفر و 90 بالمائة (من دون تكاثف).  
لا تقم بتغطية أو سد فتحات التهوية. قم بتركيب الوحدة في بيئة خالية من الغبار والانبعاثات الكيميائية.  
كذلك، وبهدف تجنب أي تداخل، ابقِ مزود الطاقة اللامنقطعة بعيداً بمسافة لا تقل عن 20 سم من وحدة المعالجة المركزية (CPU).

### **4. التوصيل**

تحقق من لوحة التعريف الموجودة في الجهة الخلفية من مزود الطاقة اللامنقطعة للتأكد من أن مصدر الطاقة متوافق مع فولتية الشبكة، ومن أن الجهاز فعال بما يكفي لحماية شحنة الطاقة المطلوبة. قم بتوصيل كابل امداد الكهرباء ① بمقيس الحائط للتيار الكهربائي، ثم اربط الأجهزة الطرفية للحاسوب بالمقابس الاحتياطية لمزود الطاقة اللامنقطعة ②.

### **5. التشغيل/إيقاف التشغيل**

لتشغيل وحدة مزود الطاقة اللامنقطعة، اضغط، مع البقاء قليلاً، على زر الطاقة. لإيقاف تشغيلها، اضغط مجدداً على هذا الزر. تأكد من أن زر الطاقة باقٍ في وضع "التشغيل"، وإلا فسيتم تعطيل مزود الطاقة اللامنقطعة ولن تكون الأجهزة محمية في حال انقطاع الكهرباء.  
**ملاحظة:** لأغراض خاصة بالصيانة، يرجى تشغيل مزود الطاقة اللامنقطعة قبل تشغيل الكمبيوتر أو أجهزة أخرى، كما يرجى إيقاف تشغيله بعد إيقاف تشغيل الأجهزة المتصلة.

### **6. إطلاق التيار المستمر**

إن وحدات X3 EX مجهزة بوظيفة إطلاق للتيار المستمر. لبدء تشغيل مزود الطاقة اللامنقطعة في غياب مصدر للطاقة ومع بطارية مشحونة بالكامل، اضغط على الزر.

## 7. وظيفة توفير الطاقة

إن وحدات X3 EX مزودة بوظيفة توفير الطاقة. في حال عدم اتصال أي جهاز بمزود الطاقة اللامنقطعة، سيتوقف عن العمل تلقائياً بعد 5 دقائق، من أجل توفير الطاقة في فترة انقطاع الكهرباء. يجب أن يبقى زر الطاقة في وضع "التشغيل"، وإلا فسيتم تعطيل مزود الطاقة اللامنقطعة ولن تتم حماية الأجهزة بعد انقطاع الكهرباء.

## 8. حماية الهاتف/الفاكس/المودم

قم بتوصيل خط الهاتف/المودم بمخرج الحماية من التمور "IN" الموجود على الواجهة الخلفية من وحدة مزود الطاقة اللامنقطعة. قم بتوصيل الكمبيوتر بمخرج "OUT" بواسطة كبل خط هاتفي آخر.

**تحذير:** إن واقية الصواعق الخاصة بالخط الهاتفي قد تصبح غير قابلة للتشغيل إذا تم تثبيتها بصورة غير صحيحة. جهاز الحماية من التمور هو للاستخدام الداخلي فقط. يُحظر بشدة تركيب أسلاك الهاتف خلال العواصف ولدى وقوع صواعق.

**ملاحظة:** هذا الاتصال اختياري. ليس من الضروري استخدام مزود الطاقة اللامنقطعة.

## 8. واجهة الكمبيوتر

لمنع الكمبيوتر من التوقف عن التشغيل بصورة مفاجئة، قم بتوصيل كبل USB بالكمبيوتر. بعد ذلك، تستطيع تثبيت برنامج التوقف التلقائي عن التشغيل واستخدامه.

إن منفذ اتصال USB الموجود في الجهة الخلفية من مزود الطاقة اللامنقطعة يمكن الكمبيوتر من التحقق مباشرة من حالة مزود الطاقة اللامنقطعة.

تأتي الوظائف الرئيسية كالتالي:

- عرض تنبيه مرئي في حال تعطل الطاقة
- إغلاق تلقائي للملفات قبل وصول البطارية إلى أدنى مستوياتها
- إيقاف تشغيل الكمبيوتر ومزود الطاقة اللامنقطعة

## 9. البطارية

تعتبر البطارية الجزء الوحيد في مزود الطاقة اللامنقطعة الذي لا يتم استخدامه بشكل مستمر. فهي تتمتع بصلاحية عمل تتراوح بين 3 و 5 سنوات. ولكن التفريغ المتكرر للبطارية، أو تعريضها لدرجات حرارة تتجاوز 20 درجة مئوية يحد من عمرها. بالتالي، نوصي المستخدمين بشحن البطارية مرة كل 3 أشهر عندما لا تكون الوحدة قيد التشغيل، وذلك بهدف التعويض عن التفريغ الطبيعي. إن الوقت الاحتياطي لمزود الطاقة اللامنقطعة هو وقف على الحمل المزود بالطاقة، وعلى عمر البطارية وحالتها.

### تنبيه!

يجب دوماً استبدال البطاريات على يد اختصاصيين فنيين كفاء. للبطاريات تيار قصر دارة عالٍ جداً: قد تتسبب أخطاء الاتصال بحروق خطيرة.

في حال تعذر تشغيل مزود الطاقة اللامنقطعة بصورة صحيحة، نوصي بإجراء الفحوصات التالية قبل الاتصال بالخط الساخن.

**قائمة الفحوصات:**

- هل زر الطاقة الأساسي في وضع "التشغيل" ؟
- هل مزود الطاقة اللامنقطعة موصل بمصدر الطاقة ؟
- هل يأتي مصدر الطاقة ضمن قيم وحدة معينة ؟
- هل تفقدت حالة المصهر ؟ فإن كان محروقا فقم بتبديله
- هل مزود الطاقة اللامنقطعة محتمل بشكل زائد ؟
- هل البطارية فارغة تماما أو تالفة ؟

المشكلة	السبب المحتمل	الحلول
المؤشرات الضوئية مطفاة أو لا شيء على شاشة LCD.	مستوى البطارية منخفض. البطارية متلفة.	اشحن البطارية لمدة 6 ساعات. استبدلها ببطارية من نفس الطراز.
التنبيهات الصوتية مستمرة بالرغم من أن تيار المأخذ طبيعي.	لم يتم تشغيل مزود الطاقة اللامنقطعة.	اضغط على زر الطاقة مجدداً لتشغيل مزود الطاقة اللامنقطعة.
في حال انقطاع الكهرباء، الوقت الاحتياطي قصير.	مزود الطاقة اللامنقطعة محتمل بشكل زائد.	تأكد من أن الحمل يتوافق مع قدرة مزود الطاقة اللامنقطعة المعروضة في المواصفات.
تيار المأخذ طبيعي ولكن مزود الطاقة اللامنقطعة في وضع البطارية.	مزود الطاقة اللامنقطعة محتمل بشكل زائد.	قم بفصل أي جهاز غير أساسي. اشحن البطارية لمدة 6 ساعات.
	فولطية البطارية منخفضة للغاية.	تلف البطارية بسبب بيئة تشغيل في درجات حرارة عالية، أو بسبب طريقة تشغيل غير مناسبة.
	كبل الطاقة غير موصل.	أعد توصيل كبل الطاقة بالشكل الصحيح.

X3 EX-1000	X3 EX-800	X3 EX-650	X3 EX-500	
التقنية				
تقنية الخط التفاعلي مع تنظيم تلقائي للضغط				
1000 فولت أمبير	800 فولت أمبير	650 فولت أمبير	500 فولت أمبير	الطاقة
شبه جيبية				
التفريغ / الشحن الزائد / التحميل الزائد + خط الهاتف/الفاكس/المودم				
0.5	0.6	0.55	0.5	عامل الطاقة
الخصائص الشكلية				
142 x 100 x 287				الأبعاد العمق x العرض x الارتفاع (مم)
5.2	4.9	4.25	3.95	الوزن كغ
مقياس Schuko/FR محميان موصلات RJ11/45 (مدخل/مخرج) و منفذ USB				موصلات المخرج
الخصائص الفنية في المدخل				
220/230/240 V				الفولطية
162-290 VAC				نطاق الفولطية
الخصائص الفنية في المخرج (وضع البطارية)				
220/230/240 V				الفولطية
± 10 %				نطاق الفولطية
50 أو 60 هرتز ± 1 هرتز (تردد تلقائي)				التردد
البطارية				
12V/9AH*1	12V/9AH*1	12V/7AH*1	12V/7AH*1	البطارية (العدد والنوع)
15 دقيقة	15 دقيقة	12 دقيقة	10 دقائق	الوقت الاحتياطي (كمبيوتر شخصي واحد)
10 ساعات لـ 90 بالمئة بعد التفريغ الكامل				وقت الشحن
البيئة				
صفر - 40 درجة مئوية، صفر - 90 بالمئة من الرطوبة النسبية (من دون تكاثف).				البيئة المثالية
المعايير				
CE				الأمان / المعيار

**X3EX 500/650/800/1000**

تأمين مجاني للأجهزة المتصلة يصل إلى 120.000 يورو  
راجع الشروط المفصلة وإجراءات التسجيل في غضون 10 أيام بعد الشراء على موقع الانترنت :  
[www.infosec-ups.com](http://www.infosec-ups.com).



X3 EX -3000	X3 EX -2000	X3 EX-1600	X3 EX-1200	
<b>التقنية</b>				
تقنية الخط التفاعلي مع تنظيم تلقائي للضغط				<b>التقنية</b>
3000 فولت أمبير	2000 فولت أمبير	1600 فولت أمبير	1200 فولت أمبير	<b>الطاقة</b>
شبه جيبيية				<b>شكل الموجة</b>
التفريغ / الشحن الزائد / التحميل الزائد + خط الهاتف/الفاكس/المودم				<b>الحماية</b>
0.6	0.6	0.6	0.5	<b>عامل الطاقة</b>
<b>الخصائص الشكلية</b>				
205 x 145 x 397			x 146 x 350 160	<b>الأبعاد</b> العمق x العرض x الارتفاع (مم)
15.2	12.5	11.1	8.9	<b>الوزن كغ</b>
4 مخرج Schuko/FR محمية موصلات RJ11/45 (مدخل/مخرج) ومنفذ USB			4 مخرج Schuko/FR محمية، موصلات RJ11/45 (مدخل/مخرج) ومنفذ USB	<b>موصلات المخرج</b>
<b>الخصائص الفنية في المدخل</b>				
220/230/240 V				<b>الفولطية</b>
162-290 VAC				<b>نطاق الفولطية</b>
<b>الخصائص الفنية في المخرج (وضع البطارية)</b>				
220/230/240 V				<b>الفولطية</b>
± 10 %				<b>نطاق الفولطية</b>
50 أو 60 هرتز ± 1 هرتز (تردد تلقائي)				<b>التردد</b>
<b>البطارية</b>				
12V/10AH*2	12V/9AH*2	12V/9AH*2	12V/7AH*2	<b>البطارية (العدد والنوع)</b>
75 دقيقة	50 دقيقة	40 دقيقة	30 دقيقة	<b>الوقت الاحتياطي</b> (كمبيوتر شخصي واحد)
10 ساعات لـ 90 بالمئة بعد التفريغ الكامل				<b>وقت الشحن</b>
<b>البيئة</b>				
صفر - 40 درجة مئوية، صفر - 90 بالمئة من الرطوبة النسبية (من دون تكاثف).				<b>البيئة المثالية</b>
<b>المعايير</b>				
CE RoHS				<b>الأمان / المعيار</b>



### **X3 EX 1200/1600/2000/3000**

تأمين مجاني للأجهزة المتصلة يصل إلى 150.000 يورو  
راجع الشروط المفصلة وإجراءات التسجيل في غضون 10 أيام بعد الشراء على موقع الانترنت :  
[www.infosec-ups.com](http://www.infosec-ups.com).



# Instrukcja obsługi

W celu zapewnienia prawidłowej instalacji oraz eksploatacji niniejszego produktu zalecamy dokładne przeczytanie instrukcji obsługi.

## **1. WPROWADZENIE**

Seria X3 EX obejmuje moduły UPS o wysokiej wydajności z bezpośrednim połączeniem z komputerem PC przez port USB. UPS jest automatycznie regulowany, co zapewnia wyważoną energię wyjściową i kompletną ochronę dla serwerów i ich peryferiów w przypadku awarii lub wahań zasilania. Jeżeli brak zasilania z powodu braku prądu, skoków napięcia lub wystąpienia chwilowych przepięć, zasilacz UPS błyskawicznie przełączy sprzęt komputerowy na alternatywne źródło zasilania. Dzięki temu można wykonać kopię zapasową, zamknąć programy oraz prawidłowo zamknąć system. W normalnych warunkach zasilania X3 EX stale podtrzymuje naładowanie akumulatora, aby zachować pełną przejrzystość podczas wszystkich operacji. To oznacza, że wielofunkcyjny zasilacz bezprzerwowo upraszcza wykonywanie różnych zadań. Stan pracy zasilacza i jego poziom naładowania można sprawdzić w prosty sposób na ekranie LCD. Dzięki temu zaawansowanemu zasilaczowi UPS sprzęt komputerowy będzie wyposażony w odpowiednie i niezawodne źródło zasilania. Podstawowe właściwości serii X3 EX zostały opisane poniżej.

## **2. PODSTAWOWE FUNKCJE**

- Sterowanie mikroprocesorowe o wysokiej niezawodności
- Automatyczny regulator napięcia wyjściowego (AVR)
- Wbudowany port komunikacyjny USB
- Regulacja i normalizacja napięcia wejściowego
- Włączanie „na zimno”, gdy źródło zasilania nie jest aktywne
- Ładowanie przy wyłączonym urządzeniu
- Funkcja „Green Power” zapewnia oszczędność energii
- Automatyczny restart po przywróceniu zasilania prądem zmiennym
- Kompaktowość i lekkość konstrukcji
- Ochrona przeciwdarowa telefonu / modemu lub sieci (złącze RJ45)

## **3. INSTRUKCJA BEZPIECZEŃSTWA**

### **WAŻNE!**

Niniejszą instrukcję należy przechować w bezpiecznym miejscu i przeczytać poniższe instrukcje przed instalacją jednostki. Nie używać tej jednostki przed przeczytaniem wszystkich informacji bezpieczeństwa i instrukcji obsługi. Instalację i okablowanie wykonać zgodnie z lokalnymi przepisami i regulacjami elektrycznymi. Instalacja i podłączenie systemu UPS w sposób niezgodny z akceptowanymi praktykami zwalnia Infosec Communication z wszelkiej odpowiedzialności.

### **▪ Transport**

1. Transportować system UPS wyłącznie w oryginalnym opakowaniu chroniącym przed uderzeniami i wstrząsami.

### **▪ Przygotowanie i prawidłowa utylizacja urządzenia**

1. Wniesienie systemu UPS bezpośrednio z zimnego do ciepłego otoczenia może spowodować powstawanie skroplin. System UPS musi być bezwzględnie suchy przed instalacją. Zaczekać przynajmniej dwie godziny, aż system UPS przystosuje się do otoczenia.



2. Nie instalować systemu UPS w pobliżu wody ani w wilgotnym otoczeniu.
3. Nie instalować systemu UPS w miejscu, w którym byłby narażony na bezpośrednie promieniowanie słoneczne lub w pobliżu grzejników.
4. Nie blokować otworów wentylacyjnych w obudowie zasilacza UPS. Zasilacz UPS należy instalować w miejscach z odpowiednią wentylacją. Zapewnić wystarczającą ilość miejsca po każdej stronie otworów wentylacyjnych.
5. Gniazdko sieciowe zasilające musi znajdować się w pobliżu zasilacza UPS i być łatwo dostępne.
6. Zainstalować zasilacz UPS w pomieszczeniu o kontrolowanych warunkach temperaturowych i wilgotności, wolnym od zakłóceń przewodzących.
7. Przed oczyszczeniem urządzenia za pomocą wilgotnej szmatki (bez żadnych produktów czyszczących) należy odłączyć je od źródła zasilania prądem przemiennym i wyłączyć.
8. Nie ustawiać pojemników z cieczą na zasilaczu UPS lub w jego pobliżu.
9. Ułożyć kable w taki sposób, aby wyeliminować możliwość potykania się o nie.
10. Wyeliminować możliwość przedostania się płynów lub obcych przedmiotów do środka systemu UPS.

#### ▪ **Ryzyko porażenia prądem**

1. Zasilacz UPS wykorzystuje potencjalnie niebezpieczne napięcia. Zabrania się demontowania urządzenia, ponieważ nie zawiera ono części, które mogłyby być wykorzystane lub naprawione przez użytkownika z wyjątkiem wymiany bezpieczników.
2. Ostrzeżenie – ryzyko porażenia prądem. Obwód akumulatora nie jest odizolowany od napięcia wejściowego. Między zaciskami akumulatora a podłożem mogą występować niebezpieczne napięcia. Przed dotknięciem upewnić się, czy urządzenie nie znajduje się już pod napięciem!
3. System UPS wykorzystuje niebezpieczne napięcia. Naprawy mogą być wykonywane wyłącznie przez wykwalifikowany personel konserwacyjny.
4. Gniazdko ściennie musi znajdować się w pobliżu urządzenia i być łatwo dostępne. Aby odizolować zasilacz UPS od wejścia prądu przemiennego, wyjąć wtyczkę z gniazdka ściennego i wyłączyć go.
5. Nie odłączać kabla sieciowego od systemu UPS lub gniazd okablowania budynku (uziemiene wstrząsoodporne wyjście gniazda) podczas pracy, ponieważ to może anulować ochronne uziemienie systemu UPS i wszystkich podłączonych obciążeń.
6. Zasilacz UPS ma własne wewnętrzne źródło zasilania (akumulator). Należy pamiętać, że po odłączeniu zasilacza UPS od źródła zasilania sieciowego na gniazdach wyjściowych może wciąż występować napięcie.
7. W sytuacji awaryjnej wyłączyć zasilacz UPS i odłączyć go od źródła zasilania prądem przemiennym.
8. W razie wadliwej pracy zasilacza UPS należy przejść do rozdziału: „**wykrywanie i usuwanie usterek**” i skontaktować się z pracownikiem infolinii.
9. Należy sprawdzić połączenie wyrównawcze uziemienia z zewnętrznym zestawem akumulatorów (jeżeli dostępny).

#### ▪ **Podłączone produkty**

1. Suma prądu upływowego zasilacza UPS i podłączonych urządzeń nie powinna przekraczać 3,5 mA.
2. Sprawdzić, czy podłączone obciążenie nie przekracza parametrów zasilacza UPS. Aby zapewnić dłuższy czas zasilania awaryjnego i dłuższą żywotność akumulatora, zalecamy stosowanie obciążenia odpowiadającego 1/3 mocy nominalnej.

3. Nie podłączać wyposażenia lub urządzeń, które mogłyby spowodować przeciążenie zasilacza UPS (np. wyposażenie z dużymi silnikami)) do gniazd lub zacisków zasilacza UPS.
4. Nie podłączać zasilacza UPS do jego własnego gniazdka.
5. Nie podłączać zasilacza UPS do listwy przepięciowej lub innego przedłużacza.
6. Zasilacz UPS został zaprojektowany do stosowania z komputerami osobistymi. Zabrania się używania zasilacza z elektrycznymi lub elektronicznymi urządzeniami z obciążeniami impedancyjnymi, takimi jak silniki czy lampy fluorescencyjne.
7. Do zasilacza UPS nie wolno podłączać aparatury podtrzymującej życie lub elektrycznych urządzeń domowych, takich jak kuchenki mikrofalowe, odkurzacze i suszarki.
8. Z powodu nadmiernego poboru mocy do zasilacza UPS nie należy podłączać drukarek laserowych.
9. Wymieniać bezpieczniki wyłącznie na bezpieczniki o tym samym typie i natężeniu, aby uniknąć ryzyka pożaru.
10. Stosować wyłącznie wtyczki CEE 7/7

#### ▪ Informacje o akumulatorach

1. Zaleca się, aby wymianę akumulatora wykonał wykwalifikowany technik.
2. Przed wykonaniem jakichkolwiek prac serwisowych lub konserwacyjnych odłączyć akumulatory i sprawdzić, czy dopływ prądu został odłączony oraz czy nie ma niebezpiecznych napięć w zaciskach kondensatorów o dużej pojemności, np. w kondensatorach magistrali.
3. Nie wrzucać akumulatora do ognia, ponieważ może to spowodować wybuch.
4. **Nie otwierać oraz nie uszkodzać akumulatora!** Wyciekający elektrolit (przeważnie kwas siarkowy) może być toksyczny i szkodliwy dla skóry i oczu. W razie kontaktu z elektrolitem zmyć go starannie wodą i oczyścić zabrudzoną odzież.
5. Nie wrzucać akumulatorów do ognia. W przeciwnym razie może dojść do wybuchu. Po wyeksploatowaniu zutylizować oddzielnie. Zapoznać się z lokalnymi przepisami i regulacjami.
6. Zasilacz UPS zawiera jeden lub dwa akumulatory o dużej pojemności. W celu uniknięcia ryzyka porażenia prądem nie otwierać ich. Jeżeli akumulator wymaga serwisowania lub wymiany, należy skontaktować się z dystrybutorem.
7. Czynności serwisowe powinny być wykonywane lub nadzorowane przez kompetentny personel, który podejmie właściwe środki ostrożności. Trzymać akumulatory z dala od osób nieupoważnionych.
8. Akumulator może stwarzać ryzyko porażenia prądem, a ponadto może spowodować zwarcie. Wykwalifikowany technik powinien zastosować następujące środki ostrożności.
  - ✓ Zdjąć zegarek, pierścionki i inne metalowe przedmioty.
  - ✓ Używać narzędzi z izolacją.
  - ✓ Odłączyć źródło ładowania przed podłączeniem lub odłączeniem zacisków akumulatora.
  - ✓ W razie wymiany akumulatora użyć zamkniętego akumulatora ołowiowo-kwasowego tego samego rodzaju.

## **4. INSTRUKCJA PRZECHOWYWANIA**

Zasilacz UPS powinien być przechowywany z całkowicie naładowanym akumulatorem. W razie dłuższej przerwy w użytkowaniu akumulatory należy ładować raz na 3 miesiące przez 24 godziny (przez podłączenie zasilacza UPS do układu zasilania i włączenie go) w celu uniknięcia pogorszenia pracy akumulatorów.

Zasilacza UPS nie należy przechowywać w następujących warunkach otoczenia.

- ✓ Otoczenie, w którym znajdują się gazy palne, substancje korozyjne lub znaczne ilości pyłu.
- ✓ Otoczenie o ekstremalnie wysokiej lub niskiej temperaturze (powyżej 40°C lub poniżej 0°C) i wilgotności powyżej 90%.
- ✓ Miejsca wystawione na działanie promieni słonecznych (lub w pobliżu urządzeń grzewczych).
- ✓ Otoczenia, w którym występują znaczące wibracje.
- ✓ Na zewnątrz pomieszczeń.

W razie pożaru w pobliżu zasilacza UPS należy używać gaśnicy proszkowej. Użycie gaśnicy zawierającej ciecz grozi porażeniem prądem.

## **5. OBSŁUGA POSPRZEDAŻNA**

### **WAŻNE!**

Przed skontaktowaniem się z Działem Obsługi Posprzedażnej należy przygotować następujące informacje, których podanie jest konieczne niezależnie od problemu: model zasilacza UPS, numer seryjny oraz data zakupu.

Dokładny opis problemu z podaniem następujących szczegółowych danych: rodzaj urządzeń zasilanych przez zasilacz UPS, status diody wskaźnikowej, status alarmu, warunki instalacji oraz środowiska pracy.

Powyższe informacje techniczne znajdują się w gwarancji lub na tabliczce znamionowej z tyłu urządzenia. Dla własnej wygody te informacje można wpisać do poniższej tabeli.

<b>Model</b>	<b>Numer seryjny</b>	<b>Data zakupu</b>
<b>X3 EX ...</b>		

! Prosimy zachować oryginalne opakowanie. Będzie ono potrzebne w razie konieczności przesłania zasilacza UPS do Działu Obsługi Posprzedażnej.

#### ▪ **Zgodność z normą CE**



To logo informuje o zgodności produktu z wymogami norm EMC i LVD (w odniesieniu do przepisów dotyczących napięcia urządzeń elektrycznych i pól elektromagnetycznych) oraz z dyrektywami RoHS.

Ten produkt ma kategorię C2 UPS. W warunkach domowych ten produkt może powodować zakłócenia radiowe, co oznacza konieczność zastosowania dodatkowych środków (tylko dla 220/230/240 VAC).

## **WAŻNE**



Zasilacze UPS należą do kategorii urządzeń elektronicznych i elektrycznych. Po wyeksploatowaniu zasilacze należy oddzielnie zutylizować w należyty sposób.

Ten symbol jest również umieszczony na bateriach dostarczonych razem z urządzeniem, co oznacza, że również należy je zutylizować w prawidłowy sposób po wyeksploatowaniu.

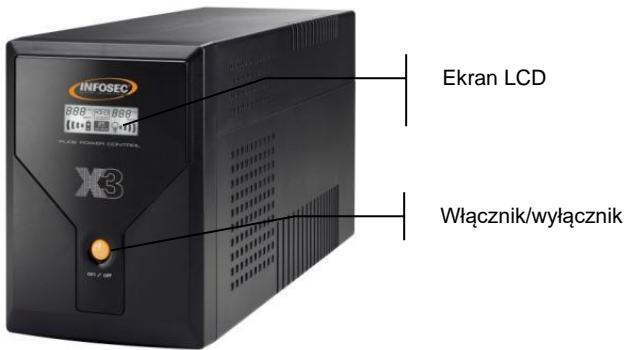
Skontaktuj się z lokalną instytucją zajmującą się recyklingiem lub utylizacją niebezpiecznych odpadów w celu uzyskania informacji i prawidłowego zutylizowania zużytego akumulatora.

## 6. OPIS

### X3 EX LCD USB - 500/650/800/1000 - PANEL PRZEDNI



### X3 EX LCD USB - 1200/1600/2000/3000 - PANEL PRZEDNI

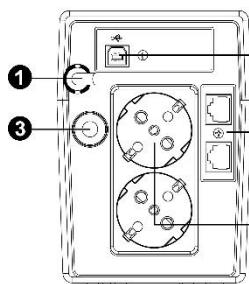


### Ekran LCD

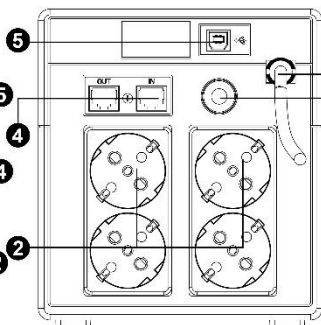


- 1 - Napięcie wejściowe 4
- 2 - Napięcie wyjściowe
- 3 - Wskaźnik trybu AC – miga podczas regulacji napięcia
- 4 - Wskaźnik trybu akumulatora
- 5 - Wskaźnik poziomu obciążenia – miganie wskazuje przeciążenie
- 6 - Wskaźnik naładowania akumulatora – miganie oznacza niski poziom naładowania akumulatora

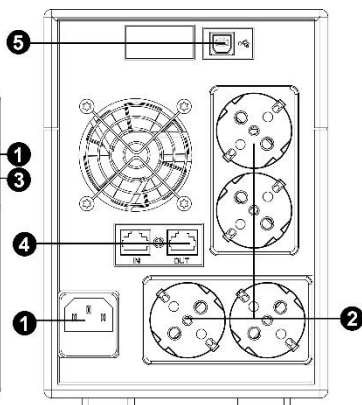
## PANELE TYLNE



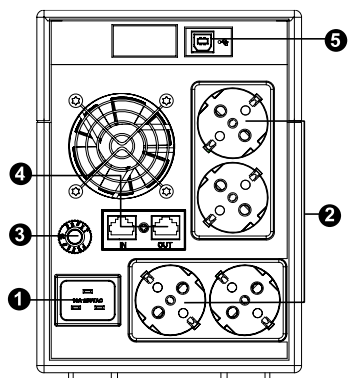
X3 EX –  
500/650/800/1000



X3 EX – 1200



X3 EX – 1600/2000



X3 EX – 3000

- 1 - Wejście AC
- 2 - Chronione gniazda zasilacza UPS\*
- 3 - Przerwywacz wejść
- 4 - Chronione gniazda RJ11/45
- 5 - Port komunikacyjny USB

*\*Do użytku z wtyczkami FR/Schuko CEE /7-7*

## **7. INSTALACJA I OBSŁUGA**

### **1. Sprawdzenie**

Po odebraniu urządzenia należy otworzyć opakowanie i sprawdzić, czy zasilacz UPS nie jest uszkodzony. Opakowanie zawiera:

**X3 EX 500/650/800/1000:** Jednostka UPS i instrukcja użytkownika.

**X3 EX 1200:** Jednostka UPS i instrukcja użytkownika.

**X3 EX 1600/2000:** Jednostka UPS i instrukcja użytkownika.

**X3 EX 3000:** Jednostka UPS, instrukcja obsługi, kabel wejściowy.

### **2. Ładowanie akumulatorów**

Urządzenie zostało wysłane z zakładu produkcyjnego z całkowicie naładowanym akumulatorem. Akumulator mógł jednak ulec częściowemu rozładowaniu podczas transportu, w związku z czym należy naładować go przed użyciem. Podłączyć urządzenie do właściwego źródła zasilania bez żadnego obciążenia i odczekać co najmniej 8 godzin do pełnego naładowania akumulatora.

Akumulatory zasilacza UPS są automatycznie ładowane przy każdym ustawieniu wyłącznika w pozycji „ON”. Zasilacz UPS jest od razu gotowy do użytku, lecz wydajność zasilania awaryjnego może być mniejsza niż wartość nominalna.

### **3. Ustawienie i warunki przechowywania**

Zasilacz UPS został zaprojektowany do pracy w środowisku zabezpieczonym, w zakresie temperatur od 0°C do 40°C oraz przy wilgotności od 0% do 90% (bez kondensacji).

Nie zakrywać otworów wentylacyjnych. Zainstalować urządzenie w miejscu wolnym od kurzu i pyłów, oparów chemicznych i przewodników. Ponadto w celu uniknięcia zakłóceń ustawić zasilacz UPS w odległości co najmniej 20 cm od CPU (jednostki centralnej komputera).

### **4. Podłączanie**

Sprawdź tabliczkę znamionową znajdującą się z tyłu zasilacza UPS i upewnij się, że jest zgodny z napięciem sieciowym oraz że urządzenie jest wystarczająco wydajne, aby obsłużyć dane obciążenie. Podłącz przewód zasilania zasilacza UPS do dwubiegunowego gniazdka z uziemieniem. Następnie podłącz urządzenia komputerowe z tyłu zasilacza UPS.

### **5. Włączanie/wyłączanie**

Aby włączyć zasilacz UPS, należy lekko nacisnąć włącznik zasilania. Aby wyłączyć zasilacz, należy ponownie nacisnąć włącznik zasilania. Sprawdzić, czy włącznik zasilania znajduje się w położeniu włączenia, w przeciwnym razie zasilacz UPS będzie wyłączony i nie zapewni ochrony urządzeń podczas awarii zasilania.

**Uwaga:** *W celu zapewnienia odpowiedniego utrzymania włączać zasilacz UPS przed włączeniem komputera osobistego i innych urządzeń oraz wyłączać go dopiero po wyłączeniu obsługiwanych urządzeń.*

### **6. Uruchamianie z prądu stałego**

Jednostki X3 EX są wyposażone w zintegrowaną funkcję uruchamiania z prądu stałego. Aby uruchomić zasilacz UPS z całkowicie naładowanym akumulatorem w razie braku zasilania sieciowego, należy nacisnąć przycisk.

### **7. Funkcja oszczędzania energii**

Zasilacze X3 EX są wyposażone w funkcję oszczędzania energii. Jeżeli do zasilacza UPS nie są podłączone żadne pracujące urządzenia, to wyłączy się on samoczynnie po 5 minutach w celu zaoszczędzenia energii na wypadek awarii zasilania. Włącznik zasilania musi znajdować się w położeniu „ON”, gdyż w przeciwnym razie zasilacz UPS zostanie odłączony i nie zapewni ochrony urządzeń komputerowych na wypadek awarii zasilania.

## **8. Podłączenie modemu/telefonu/sieci w celu ochrony przeciwudarowej**

Podłączyć pojedynczą linię modemową/telefoniczną do gniazda „IN” z ochroną przeciwudarową do panelu tylnego jednostki UPS. Połączyć gniazdo „OUT” z komputerem przy użyciu innego przewodu telefonicznego.

**Ostrzeżenie:** W razie błędnej instalacji istnieje ryzyko całkowitego odłączenia piorunochronu linii telefonicznej. Urządzenie ochrony przeciwudarowej jest przeznaczone wyłącznie do użytku wewnątrz budynku. Zabrania się instalowania przewodów telefonicznych podczas burzy z wyładowaniami.

**Uwaga:** To podłączenie jest opcjonalne.

## **8. INTERFEJS KOMPUTEROWY**

Aby zapobiec nagłemu wyłączeniu systemu komputerowego, należy podłączyć przewód USB do komputera. Następnie można zainstalować i używać oprogramowania automatycznego wyłączania (bezpłatne pobranie z witryny internetowej).

Port komunikacyjny USB z tyłu zasilacza UPS umożliwia bezpośrednie kontrolowanie stanu zasilacza UPS przez komputer.

Podstawowe funkcje wymieniono powyżej:

- Przekazanie alarmu wizualnego w razie awarii zasilania
- Automatykne zamknięcie plików przed wyczerpaniem się akumulatora
- Wyłączenie komputera i zasilacza UPS

Więcej informacji można znaleźć w witrynie internetowej: [www.infosec-ups.com](http://www.infosec-ups.com)

## **9. AKUMULATOR**

Akumulator to jedyny podzespół UPS, który nie jest używany w trybie ciągłym. Jego szacunkowa żywotność wynosi od 3 do 5 lat. Jednakże częste rozładowania lub wystawienie na temperatury powyżej 20°C mogą skrócić jego żywotność. Zalecamy ładowanie akumulatora raz na 3 miesiące, gdy urządzenie nie jest używane, w celu skompensowania naturalnego rozładowania. Czas zasilania awaryjnego zasilacza UPS zależy od podłączonego obciążenia oraz od wieku i stanu akumulatorów.

### ***OSTRZEŻENIE!***

Akumulatory mogą być wymieniane wyłącznie przez wykwalifikowanych techników. Akumulatory charakteryzują się bardzo wysokim prądem zwarciovym: **błędne podłączenie może spowodować powstanie łuku elektrycznego, co grozi poważnymi poparzeniami.**

## **10. WYKRYWANIE I USUWANIE USTEREK**

W razie nieprawidłowej pracy zasilacza UPS przed skontaktowaniem się z infolinią należy wykonać następujące testy.

### **Lista kontrolna:**

- Czy włącznik główny znajduje się w położeniu „ON”?
- Czy zasilacz UPS jest podłączony do zasilania sieciowego?
- Czy układ zasilania jest zgodny z podanymi parametrami urządzenia?
- Czy nie przepalił się bezpiecznik we wtyczce sieciowej?
- Czy zasilacz UPS nie jest przeciążony?
- Czy akumulator nie jest wyczerpany lub wadliwy?



<b>PROBLEM</b>	<b>POTENCJALNA PRZYCZYNA</b>	<b>ROZWIĄZANIA</b>
Na panelu przednim nie są wyświetlane teksty.	Niski poziom naładowania akumulatora.	Ładować akumulator przez ok. 6 godzin.
	Wadliwy akumulator.	Wymienić na akumulator tego samego typu.
	Zasilacz nie jest włączony.	Nacisnąć włącznik zasilania w celu włączenia zasilacza UPS.
Alarm jest stale włączony, gdy przepływ prądu jest normalny.	Przeciążenie UPS.	Sprawdzić, czy obciążenie jest zgodne z parametrami zasilacza UPS podanymi w specyfikacji.
Krótszy czas zasilania awaryjnego w razie awarii zasilania.	Przeciążenie UPS.	Odłączyć obciążenie niekrytyczne.
	Napięcie akumulatora za niskie.	Naładować akumulator przez ok. 6 godzin.
	Awaria akumulatora z powodu wysokiej temperatury środowiska pracy lub nieprawidłowej obsługi.	Wymienić na akumulator tego samego typu.
Przepływ prądu normalny, lecz urządzenie jest w trybie pracy akumulatorowej.	Poluzowany przewód zasilający.	Podłączyć prawidłowo przewód zasilający.

## 11. SPECYFIKACJA TECHNICZNA

	X3 EX-500	X3 EX-650	X3 EX-800	X3 EX-1000
<b>TECHNOLOGIA</b>				
<b>Technologia</b>	Linia interaktywna z AVR (ze sterowaniem mikroprocesorowym)			
<b>Pobór mocy</b>	500 VA	650 VA	800 VA	1000 VA
<b>Kształt napięcia wyjściowego</b>	Sinusoida modyfikowana			
<b>Ochrona</b>	Podnapięcie / nadnapięcie / przeciążenie + linia telefoniczna/faksowa/modemowa			
<b>Współczynnik mocy</b>	0,5	0,55	0,6	0,5
<b>PARAMETRY FIZYCZNE</b>				
<b>Wymiary</b> Gł. x szer. x wys (mm)	287 x 100 x 142			
<b>Ciężar</b> kg	3,95	4,25	4,9	5,2
<b>Przyląca wyjść</b>	2 chronione gniazda zasilacza UPS Schuko/FR 1 gniazdo RJ11/45 z ochroną przeciwudarową (we/wy) 1 port USB			
<b>PARAMETRY TECHNICZNE WEJŚCIA</b>				
<b>Napięcie</b>	220/230/240 V			
<b>Zakres napięcia</b>	162-290 VAC			
<b>PARAMETRY TECHNICZNE WYJŚCIA (tryb pracy akumulatorowej)</b>				
<b>Napięcie</b>	220/230/240 V			
<b>Regulacja napięcia</b>	± 10 %			
<b>Częstotliwość</b>	50 lub 60 Hz ± 1 Hz (autoczęstotliwość)			
<b>AKUMULATOR</b>				
<b>Numer i typ baterii</b>	12V/7AH*1	12V/7AH*1	12V/9AH*1	12V/9AH*1
<b>Czas zasilania awaryjnego (1 obciążenie PC)</b>	10 min	12 min	15 min	15 min
<b>Czas ponownego ładowania</b>	10 godzin do 90% po całkowitym rozładowaniu			
<b>ŚRODOWISKO PRACY</b>				
<b>Optymalne środowisko pracy</b>	0-40°C, 0-90% wilgotności względnej (bez skraplania)			
<b>STANDARZY</b>				
<b>Bezpieczeństwo / norma</b>	CE RoHS			



### X3 EX 500 / 650 / 800 / 1000:

Bezpłatne ubezpieczenie podłączonego wyposażenia do wartości 120 000 €.

Zapoznaj się z warunkami oraz zarejestruj produkt w ciągu 10 dni od daty zakupu w witrynie: [www.infosec-ups.com](http://www.infosec-ups.com)

	<b>X3 EX-1200</b>	<b>X3 EX-1600</b>	<b>X3 EX-2000</b>	<b>X3 EX-3000</b>
<b>TECHNOLOGIA</b>				
<b>Technologia</b>	Linia interaktywna z AVR (ze sterowaniem mikroprocesorowym)			
<b>Pobór mocy</b>	1200 VA	1600 VA	2000 VA	3000 VA
<b>Kształt napięcia wyjściowego</b>	Sinusoida modyfikowana			
<b>Ochrona</b>	Podnapięcie / nadnapięcie / przeciążenie + linia telefoniczna/faksowa/modemowa			
<b>Współczynnik mocy</b>	0,5	0,55	0,6	0,6
<b>PARAMETRY FIZYCZNE</b>				
<b>Wymiary szer. x gł. x wys. (mm)</b>	350 x 146 x 160	397 x 145 x 205		
<b>Ciężar kg</b>	8	11,1	12,5	15,2
<b>Przylączy wyjść</b>	4 chronione gniazda Schuko/FR Gniazda UPS, 1 gniazdo RJ11/45 z ochroną przeciwudarową (we/wy) 1 port USB	4 gniazda zasilacza UPS Schuko/FR 1 gniazdo RJ11/45 z ochroną przeciwudarową (we/wy) 1 port USB		
<b>PARAMETRY TECHNICZNE WEJŚCIA</b>				
<b>Napięcie</b>	220/230/240 V			
<b>Zakres napięcia</b>	162-290 VAC			
<b>PARAMETRY TECHNICZNE WYJŚCIA (tryb pracy akumulatorowej)</b>				
<b>Napięcie</b>	220/230/240 V			
<b>Regulacja napięcia</b>	± 10 %			
<b>Częstotliwość</b>	50 lub 60 Hz ± 1 Hz (autoczęstotliwość)			
<b>AKUMULATOR</b>				
<b>Numer i typ baterii</b>	12V/7AH*2	12V/9AH*2	12V/9AH*2	12V/10AH*2
<b>Czas zasilania awaryjnego (1 obciążenie PC)</b>	30 min	40 min	50 min	1h15 min
<b>Czas ponownego ładowania</b>	10 godzin do 90% po całkowitym rozładowaniu			
<b>ŚRODOWISKO PRACY</b>				
<b>Optymalne środowisko pracy</b>	0-40°C, 0-90% wilgotności względnej (bez skraplania)			
<b>STANDARDY</b>				
<b>Bezpieczeństwo / norma</b>	CE RoHS			



### **X3 EX 1200/1600/2000/3000:**

Bezpłatne ubezpieczenie podłączonego wyposażenia do wartości 150 000 €. Zapoznaj się z warunkami oraz zarejestruj produkt w ciągu 10 dni od daty zakupu w witrynie: [www.infosec-ups.com](http://www.infosec-ups.com).