



# USER MANUAL / MANUEL UTILISATEUR



## E3 PRO 1000 RM



*User guide* \_\_\_\_\_ 2



*Notice d'utilisation* \_\_\_\_\_ 13



## 1. SAFETY INSTRUCTIONS – Security

## 2. SAFETY INSTRUCTIONS

### **IMPORTANT!**

Save this manual properly and read carefully the following instructions before installing the unit. Do not operate this unit before reading through all safety information and operating instructions carefully. Installation and Wiring must be performed in accordance with the local electrical laws and regulations. Installing and connecting UPS system in a way that does not comply with accepted practices releases Infosec Communication from any liability.

#### ▪ **Transportation**

1. Please transport the UPS system only in the original package to protect against shock and impact.

#### ▪ **Preparation and good disposals of the device:**

1. Condensation may occur if the UPS system is moved directly from cold to warm environment. The UPS system must be absolutely dry before being installed. Please allow at least two hours for the UPS system to acclimate the environment.
2. Do not install the UPS system near water or in moist environments.
3. Do not install the UPS system where it would be exposed to direct sunlight or near heater.
4. Do not block air vents in the housing of UPS. The UPS must be installed in a location with good ventilation. Ensure enough space on each side for ventilation.
5. The mains outlet that supplies the UPS must be located near the UPS and be easily accessible.
6. Install the UPS in a temperature and humidity-controlled room free of conductive interference.
7. Disconnect the UPS from AC power and switch it off before cleaning with a damp cloth (no cleaning products).
8. Do not leave any recipients containing liquid on or near the UPS.
9. Place cables in such a way that no one can step on or trip over them.
10. Prevent no fluids or other foreign objects from inside of the UPS system

#### ▪ **Risk of electric shock:**

1. The UPS unit uses potentially hazardous voltages. Do not attempt to disassemble this equipment as it does not contain accessible components that can be repaired by users, fuse change excepted.
2. Caution -risk of electric shock. The battery circuit is not isolated from the input voltage. Hazardous voltages may occur between the battery terminals and the ground. Before touching, please verify that no voltage is present!
3. The UPS system operates with hazardous voltages. Repairs may be carried out only by qualified maintenance personnel.
4. The utility power outlet must be near the equipment and be easily accessible. To isolate the UPS from AC input and switch it off, remove the plug from the utility power outlet.

5. Do not disconnect the mains cable on the UPS system or the building wiring outlet (earthed shockproof socket outlet) during operations since this would cancel the protective earthing of the UPS system and of all connected loads.
6. The UPS has its own internal power supply (battery). There is a risk that output sockets may still be live after the UPS has been disconnected from the mains power supply.
7. In an emergency situation, switch the UPS to the "Off" position and disconnect the unit from the AC power supply.
8. When the UPS is out of order, please refer to section: "**trouble shooting**" and call the hot line.
9. Equipotential earth bonding must be checked with external battery bank if any

- **Installation for UPS with terminal(s).**

1. An appropriate disconnect device as short-circuit backup protection should be provided in the building wiring installation.
2. An integral single emergency switching device which prevents further supply to the load by the UPS in any mode of operation should be provided in the building wiring installation according to local electrical laws.
3. Connect the earth before connecting to the building wiring terminal.

- **Connected products:**

1. Combined UPS and connected equipment leakage current should not exceed 3,5 mA.
2. Make sure that the connected load does not exceed UPS capabilities. To ensure improved backup time and longer battery life, we recommend a load equivalent to 1/3 of nominal power.
3. Do not connect appliances or devices which would overload the UPS (e.g. big motor-type equipment) to the UPS output sockets or terminal.
4. Do not plug the UPS input into its own output socket.
5. Do not plug the UPS into a power strip or surge suppressor.
6. The UPS has been designed for personal computers. It should not be used with electrical or electronic equipment with inductive loads such as motors or fluorescent lights.
7. Do not connect any household appliances such as microwaves, vacuum cleaners, hair dryers or life-support systems to the UPS.
8. Due to excessive consumption, laser printers should not be connected to the UPS.
9. Please replace the fuse only with the same type and amperage in order to avoid fire hazards.

- **About batteries:**

1. It is recommended that a qualified technician change the battery.
2. Before carrying out any kind of service or maintenance, disconnect the batteries and verify that no current is present and no hazardous voltage exists in the terminals of high capability capacitor such as BUS-capacitors.
3. Do not dispose of the battery in a fire as it may explode.
4. **Do not open or damage the battery!** The electrolyte, fundamentally sulphuric acid, can be toxic and harmful to the skin and eyes. If you come into contact with it, wash thoroughly with water and clean dirtied clothes.
5. Do not throw the battery into a fire. It may explode. It has to be disposed of separately at the end of its useful life. Refer to local legislation and regulations.
6. The UPS contains one or two large-capacity batteries. To avoid any danger of electric shock do not open it/them. If a battery needs servicing or has to be replaced, please contact the distributor.

7. Servicing should be performed or supervised by competent personnel who take the necessary precautions. Keep unauthorised personnel away from batteries.
8. A battery may present a risk of electric shock and cause short circuits. The following precautions should be taken by the qualified technician:
  - ✓ Remove watches, rings or other metal objects from hands.
  - ✓ Use tools with insulated handles.
  - ✓ Disconnect the charging source prior to connecting or disconnecting battery terminals.
  - ✓ When replacing batteries, use the same type and number of sealed lead-acid batteries.

▪ **CE conformity:**



This logo means that this product answers to the EMC and LVD standards (regarding to the regulation associated with the electric equipment voltage and the electromagnetic fields) and comply with RoHS directives.

**IMPORTANT**



A UPS belongs to the electronic and electrical equipment category. At the end of its useful life it must be disposed of separately and in an appropriate manner.

This symbol is also affixed to the batteries supplied with this device, which means they too have to be taken to the appropriate place at the end of their useful life.

Contact your local recycling or hazardous waste centre for information on proper disposal of the used battery.



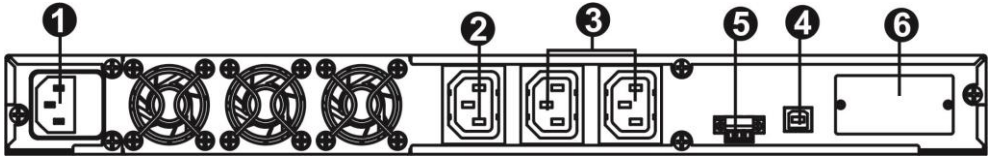
The E3 Pro 1000 RM UPS belong to category C2. In a residential environment, this product may cause radio interference, in which case the user may be required to take additional measures.

## **2. INSTALLATION AND SETUP**

**NOTE:** Before the installation of the unit, please inspect it. Be sure that nothing inside the package is damaged. Please keep the original package in a safe place for future use.

### **2.1 Rear panel view**

#### **E3 PRO 1000 RM**



- 1 AC input
- 2 Output receptacle: connect to mission-critical loads.
- 3 Programmable outlets: connect to non-critical loads
- 4 USB/RS-232 serial communication port
- 5 ROO/RPO function connector
- 6 SNMP intelligent slot

## 2-2. Setup the UPS

### Step 1: UPS input connection

Plug the UPS into a two-pole, three-wire, grounded receptacle only. Avoid using extension cords. The power cord is attached to the UPS.

### Step 2: UPS output connection

There are two kinds of output receptacles: programmable outlets and general outlet. Please connect non-critical devices to the programmable outlets and critical devices to the general outlets. During power failure, you may extend the backup time to critical devices by setting shorter backup time for non-critical devices:

- Programmable outlets are not programmed by default
- Install the Infopower software and clic on "Parameters setting"
- Set according to your requirements

### Step 3: Communication connection

#### Communication port:

USB port



Intelligent slot

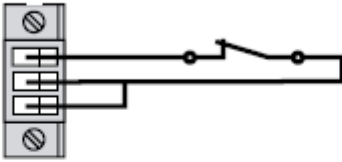


To allow for unattended UPS shutdown/start-up and status monitoring, connect the communication cable one end to the USB port and the other to the communication port of your PC. With the monitoring software Infopower installed (free download on our website), you can schedule UPS shutdown/start-up and monitor UPS status through PC.

The UPS is equipped with intelligent slot perfect for either SNMP or AS400 card. When installing either SNMP or AS400 card in the UPS, it will provide advanced communication and monitoring options.

#### Step 4: Disable/Enable ROO/RPO function

##### ROO

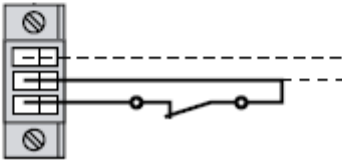


**Contact open:** UPS shuts down.

**Contact closed:** UPS start-up (UPS is connected to AC power and AC power is available).

**Note:** The local ON/OFF control by pressing On/Off button overrides the remote-control function.

##### RPO



**Contact open:** UPS shuts down and Fault LED (3) will be ON.

To return to normal operation, deactivate external remote contact (Fault LED (3) will be OFF) and restart the UPS by pressing button.

#### Step 5: Turn on/off the UPS

Press the ON/OFF button on the front panel for two seconds to power on the UPS.

#### Step 6: Install software

For optimal computer system protection, install the UPS monitoring software to fully configure UPS shutdown. You may insert provided CD into CD-ROM to install the monitoring software. If not, please follow steps below to download and install monitoring software from the internet:

1. Go to the website <http://www.infosec-ups.com>
2. Click ViewPower software icon and then choose your required OS to download the software.
3. Follow the on-screen instructions to install the software.
4. When your computer restarts, the monitoring software will appear as an orange plug icon located in the system tray, near the clock.

### 3. OPERATIONS

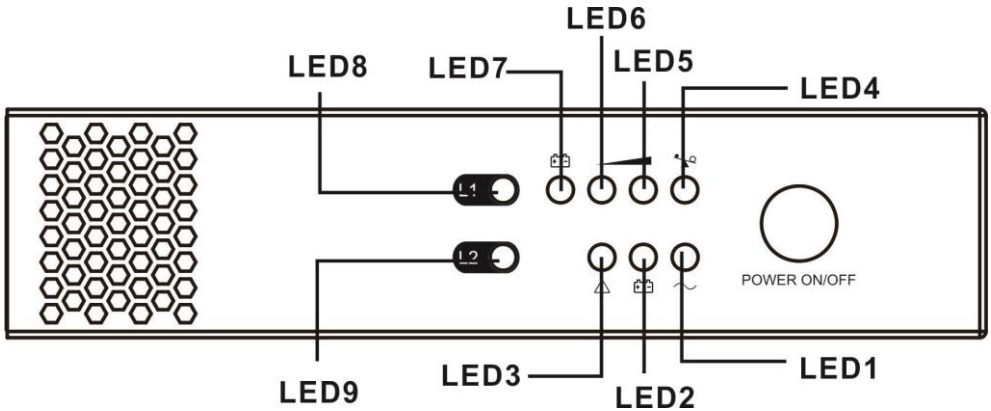
#### 3-1. Button operation

LED indicators On/Off button



Button	Function
ON/OFF Button	<ul style="list-style-type: none"> <li>Turn on the UPS: Press and hold button for at least 2 seconds to turn on the UPS.</li> <li>Turn off the UPS: Press and hold this button at least 2 seconds to turn off the UPS. UPS will be in standby mode when utility power is normal or transfer to bypass mode if bypass mode is enabled via software.</li> </ul>

#### 3-2. LED Indicators



- L1 : normal mode (mains available)
- L2 : battery mode (no mains)
- L3 : default
- L4 à L7 : connected load level / battery load level
- L8 (L1) : status receptacle output outlet
- L9 (L2) : status programmable output outlet



UPS Status	LED	Color	Lighting/Flashing
Line Mode	LED1	Green	Lighting
	LED4 to LED7 indicate load level during line mode. LED4: > 75% load level LED5: 50% ~ 75% load level LED6: 25% ~ 50% load level LED7: 0% ~25% load level	Green	Lighting
Battery Mode	LED2	Yellow	Flashing
	LED4 to LED7 indicate battery capacity during battery mode. LED4: battery voltage > 26V LED5: battery voltage > 24.5V LED6: battery voltage > 23V LED7: battery voltage > 21V	Green	Lighting
Low battery	LED7	Green	Flashing
Battery replacement	LED3	Red	Flashing
Fault	LED3	Red	Lighting
On/off status of output receptacles	LED 8: indicating on/off status of general output receptacles (Ⓐ) LED 9: indicating on/off status of programmable outlet (Ⓑ)	Green	Lighting

### 3-3. Audible Alarm

Battery Mode	Sounding every 4 seconds
Low Battery	Sounding every second
Overload	Sounding twice every second
Fault	Continuously sounding
Bypass Mode	Sounding every 10 seconds

## **4. TROUBLE SHOOTING**

If the UPS system does not operate correctly, please solve the problem by using the table below.

<b>Symptom</b>	<b>Possible cause</b>	<b>Remedy</b>
No indication and alarm even though the mains is normal.	The AC input power is not connected well.	Check if input power cord firmly connected to the mains.
	The AC input is connected to the UPS output.	Plug AC input power cord to AC input correctly.
The mains is normal but red LED is flashing. The alarm is sounding every second.	The internal or external battery connection is wrong.	Please re-connect battery wires with correct polarity.
The alarm is sounding twice every second and red LED is flashing.	UPS is overload	Remove excess loads from UPS output.
	After repetitive overloads, the UPS is locked in the Bypass mode. Connected devices are fed directly by the mains.	Remove excess loads from UPS output first. Then, shut down the UPS and restart it.
The backup time is on low battery mode.	Battery is not fully charged.	Please charge battery at least 5 hours. If battery is still in low battery level, please contact local dealer.
	Battery defect.	Replace the battery with the same type of battery.
Red LED is on and alarm is sounding continuously.	UPS fault.	Please contact local dealer directly.

## 5. STORAGE AND MAINTENANCE

### **Operation**

The UPS system contains no user-serviceable parts. If the battery service life (3~5 years at 20°C ambient temperature) has been exceeded, the batteries must be replaced. In this case, please contact your dealer.



Be sure to deliver the spent battery to a recycling facility or ship it to your dealer in the replacement battery packing material.

### **Storage**

Before storing, charge the UPS 5 hours. Store the UPS covered and upright in a cool, dry location. During storage, recharge the battery in accordance with the following table:

Model	Storage Temperature	Recharge Frequency	Charging Duration
Model E3 Pro 1000 RM	-20°C -50°C	Every 3 months	1-2 hours
	50°C -55°C	Every 2 months	1-2 hours

## 6. TECHNICAL SPECIFICATION

		<b>E3 PRO 1000 RM</b>
<b>Technology</b>	On Line Double Conversion	
<b>VA Capacity</b>	1000VA/800W	
<b>Power Factor</b>	0,8	
<b>PHYSICAL CHARACTERISTICS</b>		
<b>Dimensions H x W x D (mm)</b>	477 x 438 x 44 (1U)	
<b>Net Weight (kg)</b>	12,7	
<b>INPUT</b>		
<b>Voltage</b>	220/230/240 VAC	
<b>Input nominal voltage</b>	110-300 VAC @ 50% load / 160-300 VAC @ 100% load	
<b>Frequency Range</b>	40-70 Hz	
<b>Power Factor</b>	≥0.99 @ Nominal voltage (full load)	
<b>OUTPUT</b>		
<b>Voltage</b>	220/230/240 VAC	
<b>Voltage Regulation</b>	± 1%	
<b>Frequency Range (Synchronized Range)</b>	57 ~ 63 Hz or 47 ~ 53 Hz	
<b>Frequency Range (Batt. Mode)</b>	60 Hz or 50 Hz ± 0.3 Hz	
<b>Current Crest ratio</b>	3:1 (220/230/240 VAC)	
<b>Harmonic distortion</b>	≤ 3 % THD (Linear Load) - ≤ 5 % THD (Non-linear Load)	
<b>Transfer Time</b>	<b>Line mode to Batt. mode</b>	0ms
	<b>Inverter to Bypass</b>	4 ms (Typical)
<b>Waveform</b>	Pure Sinewave	
<b>IEC outlets standards</b>	3 (10A)	
<b>EFFICIENCY</b>		
<b>AC Mode / Battery Mode / Eco mode</b>	86% / 83% / 92%	
<b>BATTERY</b>		
<b>Battery charger</b>	Operates when UPS connected to mains	
<b>Charging current</b>	1A	
<b>Battery type</b>	Sealed Lead-acid battery	
<b>Batt specs &amp; Number</b>	6 V / 9 Ah x 4	
<b>Typical Recharge Time</b>	9 hours recover to 90% capacity	
<b>Charging voltage</b>	27.4VDC ± 1%	
<b>Backup time</b>	From 5 to 30min. depending on the connected load	
<b>INDICATORS &amp; ALARMS</b>		
<b>LED</b>	AC mode, Battery mode and fault indicators	
<b>Alarms</b>	Battery Mode, Low Battery, Overload, Fault	
<b>MANAGEMENT / COMMUNICATION</b>		
<b>Communication</b>	USB Port	
	Optional SNMP : Power management from SNMP manager (compatible VMware®) and web browser	
<b>ENVIRONMENT</b>		
<b>Humidity</b>	20 - 90% relative humidity @ 0-50° non condensing	
<b>Operating altitude</b>	Up to 1000 m above sea level (> 1000 m 1% deterioration for every 100 m)	
<b>Noise Level</b>	Less than 50dBA @ 1 Meter	
<b>NORMS</b>		
<b>Standard</b>	CE RoHS	
<b>EMC</b>	EN62040-2 :2006+AC :2006 (EN61000-3-2 :2014; EN61000-4-2 :2009 ; EN61000-4-3 :2006 +A2 :2010 ; EN61000-4-4 :2012 ; EN61000-4-5 :2006 ; EN61000-4-6 :2014 ; EN61000-4-8 :2010 ; EN61000-4-11 :2004 ; EN61000-2-2 :2002)	
	<b>Low voltage (safety)</b>	EN62040-1:2008+A1:2013
<b>SALES INFO</b>		
<b>Warranty</b>	2 years	
<b>Gencods</b>	67306	



# Notice d'utilisation

## **1. INSTRUCTIONS DE SECURITE**

### **IMPORTANT !**

Conservez ce manuel dans un endroit sûr et prenez connaissance des instructions suivantes avant d'installer l'unité. N'utilisez pas cet onduleur avant d'avoir complètement pris connaissance de toutes les consignes de sécurité et instructions d'utilisation. L'installation et le câblage doivent être exécutés conformément aux normes et règlements locaux en vigueur. L'installation et le raccordement de l'onduleur d'une manière non conforme aux règles de sécurité dégagent Infosec Communication de toute responsabilité.

#### **▪ Transport**

1. Ne transporter l'onduleur que dans son emballage d'origine afin de le protéger contre les chocs et les impacts.

#### **▪ Préparation et mise en place correcte du dispositif :**

1. Une condensation peut se produire lorsque l'onduleur passe directement d'un environnement froid à un environnement chaud. Il doit être absolument sec avant d'être installé. Veuillez attendre au moins deux heures pour permettre à l'onduleur de s'acclimater à l'environnement.
2. Ne pas installer l'onduleur dans des environnements humides ou près d'eaux courantes.
3. Ne pas installer l'onduleur dans un endroit où il sera exposé au rayonnement direct du soleil ou près d'un appareil de chauffage.
4. Ne pas obturer les grilles de ventilation de l'onduleur. Il doit être installé dans un local bien ventilé. Laisser suffisamment d'espace de chaque côté pour l'aération.
5. La prise d'alimentation réseau sur laquelle est branché l'onduleur doit se trouver près de l'onduleur et doit être facile d'accès.
6. Installer l'onduleur dans un local à température et degré hygrométrique contrôlés et libre de toute interférence de transmission.
7. Déconnecter l'onduleur de l'alimentation et l'arrêter avant de le nettoyer avec un chiffon légèrement humide (ne pas utiliser de produits de nettoyage).
8. Ne laisser aucun récipient contenant un liquide sur l'onduleur ou près de lui.
9. Placer les câbles de telle façon qu'ils ne puissent faire trébucher personne.
10. Protéger le système l'onduleur contre toute entrée de fluides ou de corps étrangers.

#### **▪ Risque d'électrocution :**

1. Des tensions dangereuses existent à l'intérieur de l'onduleur. Ne pas essayer de démonter l'onduleur car aucun de ses composants ne peut être réparé par les utilisateurs, exception faite pour les fusibles.
2. Attention - risque d'électrocution. Le circuit de batterie n'est pas isolé de la tension d'entrée. Des tensions dangereuses peuvent exister entre les bornes de batterie et la terre. Avant de les toucher, vérifier qu'aucune tension n'est présente !
3. Les réparations ne doivent être effectuées que par du personnel d'entretien qualifié.
4. La prise d'alimentation secteur doit être proche de l'appareil et facilement accessible. Pour isoler l'onduleur de l'alimentation : l'arrêter et retirer la prise de l'alimentation secteur.

5. Pendant l'utilisation, ne pas déconnecter le câble secteur sur l'onduleur ou de la prise murale (prise de courant antichoc reliée à la terre), car cela éliminerait la protection terre du système ASI et de toutes les charges connectées.
6. L'onduleur comporte sa propre source interne d'énergie (batteries). Les prises de sortie peuvent être sous tension même après que l'onduleur ait été déconnecté de l'alimentation électrique du réseau.
7. En cas d'urgence, arrêter l'onduleur en plaçant le commutateur sur la position « Off », et en déconnectant l'appareil de la source d'alimentation.
8. Si l'onduleur est en panne, voir la section : « **Dépannage** » et appeler la hotline.
9. Les liaisons équipotentielles de terre doivent être vérifiées avec le bloc de batteries s'il y en a un.

#### ▪ **Installation d'un onduleur équipé de borniers**

1. Un dispositif de déconnexion approprié, servant de protection de secours en cas de court-circuit, doit être placé sur le circuit électrique des locaux.
2. Un dispositif d'interrupteur d'urgence, unique et intégré, empêchant d'alimenter la charge quel que soit le mode d'opération, doit être placé sur le circuit électrique des locaux conformément aux règlements électriques locaux.
3. Connecter à la terre avant de connecter aux bornes du circuit électrique des locaux.

#### ▪ **Appareils connectés :**

1. La somme du courant de fuite de l'onduleur et de l'équipement connecté ne doit pas excéder 3,5 mA.
2. S'assurer que la charge alimentée n'est pas supérieure à la capacité de l'onduleur. Afin d'obtenir une durée de secours plus importante et une plus longue durée de vie des batteries, nous recommandons de limiter la charge à 1/3 de la puissance nominale.
3. Ne pas connecter sur les prises ou bornes de sortie de l'onduleur des appareils ou des dispositifs qui le surchargerait (un puissant moteur, par exemple).
4. Ne pas raccorder l'entrée de l'onduleur avec sa sortie.
5. Ne pas connecter une multiprise ou un parasurtenseur à l'onduleur.
6. L'onduleur est conçu pour des ordinateurs personnels. Il ne doit pas être utilisé avec des appareils électriques ou électroniques comportant des charges inductives telles que moteurs ou lampes fluorescentes.
7. Ne pas connecter l'onduleur à des appareils électroménagers tels que micro-ondes, aspirateurs, séchoirs à cheveux ou équipements de survie.
8. Les imprimantes laser, en raison de leur consommation excessive, ne doivent pas être connectées à l'onduleur.
9. Afin d'éviter tout risque d'incendie, ne remplacer le fusible qu'avec un fusible du même type et de même ampérage.

#### ▪ **À propos des batteries :**

1. Il est recommandé de ne faire changer les batteries que par un technicien qualifié.
2. Avant de procéder à une révision quelconque ou à l'entretien, déconnecter les batteries et vérifier qu'il n'y a aucun courant ou tension dangereuse sur les bornes des condensateurs de haute capacité tels que les condensateurs BUS.
3. Ne pas jeter les batteries au feu car elles pourraient exploser.
4. **Ne pas ouvrir ni endommager les batteries !** Elles contiennent un électrolyte, à base d'acide sulfurique, qui peut être toxique et nocif pour la peau et les yeux. Lavez abondamment à l'eau les parties de votre corps qui ont été en contact avec l'électrolyte et lavez les vêtements souillés.

5. Ne pas jeter les batteries au feu. Elles peuvent exploser. À la fin de leur durée de vie utile, elles doivent être rejetées séparément. Conformez-vous aux lois et règlements locaux.
6. L'onduleur contient une ou deux batteries de forte capacité. Afin d'éviter tout danger d'électrocution, n'ouvrez aucune batterie. Prenez contact avec le distributeur si une batterie doit être révisée ou remplacée.
7. L'intervention sur une batterie doit être effectuée ou supervisée par du personnel compétent prenant les précautions nécessaires. Ne pas laisser les personnes non autorisées travailler sur les batteries.
8. Une batterie peut provoquer des commotions électriques et provoquer des courts-circuits. Les précautions suivantes doivent être prises par le technicien qualifié :
  - ✓ Ne pas porter de bagues, montres et autres objets métalliques.
  - ✓ Utilisez des outils avec manche isolé.
  - ✓ Déconnecter l'alimentation et les prises de sortie avant de débrancher ou de brancher les bornes de batterie.
  - ✓ Les batteries doivent être remplacées par des batteries du même type, au plomb et scellées.

▪ **Conformité CE :**



Ce logo signifie que ce produit est conforme aux normes CEM et LVD (normes relatives aux règlements sur les tensions électriques et les champs électromagnétiques) et aux directives RoHS.

**IMPORTANT**



Un onduleur fait partie de la catégorie des équipements électriques et électroniques. À la fin de leur durée de vie utile, ils doivent être rebutés séparément et de manière appropriée.

Ce symbole est également placé sur les batteries fournies avec cet appareil, ce qui indique qu'elles doivent être elles aussi placées dans les endroits appropriés à la fin de leur vie utile.

Prendre contact avec le centre local de recyclage et de rejet des déchets dangereux pour plus d'informations sur le rejet des batteries usagées.



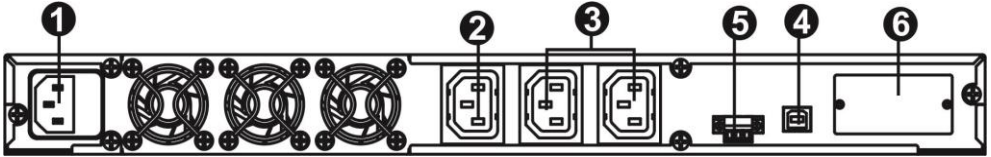
L'onduleur E3 Pro 1000 RM de 1000VA appartient à la catégorie C2. Dans un environnement domestique, ce produit peut causer des interférences radio, auquel cas les utilisateurs doivent prendre des mesures supplémentaires.

## 2. INSTALLATION ET CONFIGURATION

**REMARQUE :** Inspecter l'onduleur avant de l'installer. S'assurer que rien n'est endommagé dans l'emballage. Conserver l'emballage d'origine dans un endroit sûr pour une utilisation future.

### 2.1. Vue du panneau arrière

#### E3 PRO 1000 RM



1. Prise d'alimentation
2. Prise de sortie : elle est connectée aux charges critiques.
3. Prises programmables : elle sont connectées aux charges non critiques.
4. Port de communication USB.
5. Connecteur de fonction ROO/RPO
6. Emplacement pour carte SNMP



## 2-2. Configuration de l'onduleur

### Étape 1 : Connexion de l'entrée de l'onduleur

Brancher l'onduleur directement sur une prise bipolaire (2P+T), mise à la terre. Éviter l'utilisation de rallonges électriques. Le cordon d'alimentation est fourni.

### Étape 2 : Connexion de la sortie de l'onduleur

Il y a deux sortes de prises de sortie : les prises programmables et la prise principale. Connecter les charges non critiques sur les prises de sorties programmables et les charges critiques sur la prise principale. En cas d'une panne de courant, il est possible d'augmenter la durée de secours des dispositifs essentiels en configurant des durées de secours plus courtes des dispositifs non-essentiels :

- Par défaut les prises programmables ne sont pas programmées en limitation d'autonomie
- Installer le logiciel Infopower et aller dans l'onglet « Réglages paramètres »
- Régler en fonction de votre choix

### Étape 3 : Connexion de la communication

**Port de communication :**

Port USB



Emplacement intelligent



Dans le but de contrôler l'arrêt, le démarrage et l'état de l'onduleur, celui-ci est équipé de plusieurs ports de communication :

#### 1. Port USB

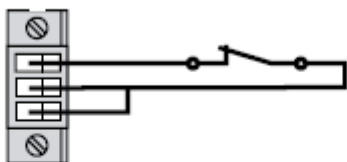
Connecter une extrémité du câble de communication au port USB et l'autre extrémité au port de communication de l'ordinateur. Le logiciel Infopower de suivi étant installé, il est possible de paramétrer depuis l'ordinateur l'arrêt et le redémarrage et aussi de contrôler l'état de l'onduleur. Le logiciel Infopower est téléchargeable gratuitement sur le site interne [www.infosec-ups.com](http://www.infosec-ups.com).

#### 2. Slot intelligent

L'onduleur est équipé d'un slot intelligent prévu soit pour une carte SNMP soit pour une carte AS400. L'installation d'une carte SNMP ou AS400 sur l'onduleur permet l'utilisation d'options avancées de surveillance et de communication.

## Étape 4 : Fonction activation/désactivation ROO/RPO

### ROO

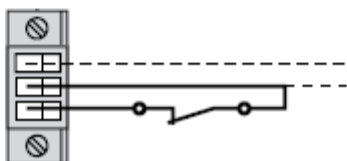


**Contact ouvert** : l'onduleur s'arrête.

**Contact fermé** : l'onduleur démarre (l'onduleur est connecté à l'alimentation et la puissance est disponible).

**Remarque** : la fonction ON/OFF (Marche/Arrêt) obtenu en appuyant sur le bouton On/Off en face avant est prioritaire à cette fonction de commande à distance.

### RPO



**Contact ouvert** : l'onduleur s'arrête et la LED de défaut (3) s'allume.

Pour revenir à un fonctionnement normal, désactiver le contact à distance externe (la LED de défaut (3) sera éteinte) et redémarrer l'onduleur en appuyant sur le bouton ON/OFF.

## Étape 5 : Mise en marche/Arrêt de l'onduleur

Appuyer pendant deux secondes sur le bouton ON/OFF (Marche/Arrêt) en face avant pour démarrer l'onduleur.

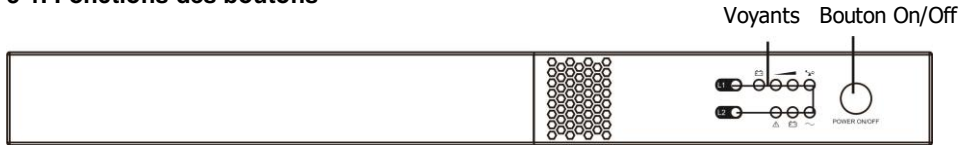
## Étape 6 : Installer le logiciel

Afin d'obtenir une protection optimale, installer le logiciel de surveillance de l'onduleur Infopower de façon à complètement configurer l'arrêt de l'onduleur. Le CD fourni peut être inséré dans le lecteur CD pour installer le logiciel de surveillance. Sinon, suivre les étapes ci-après pour télécharger par Internet le logiciel de surveillance et l'installer :

1. Visiter le site <http://www.infosec-ups.com>
2. Cliquer sur l'icône du logiciel ViewPower et sélectionner le système d'exploitation requis pour télécharger le logiciel.
3. Suivre les instructions indiquées sur l'écran pour installer le logiciel.
4. Lorsque l'ordinateur redémarre, le logiciel de surveillance va s'afficher sous la forme d'un icône vert en forme de prise situé dans la zone de notification, près de l'horloge.

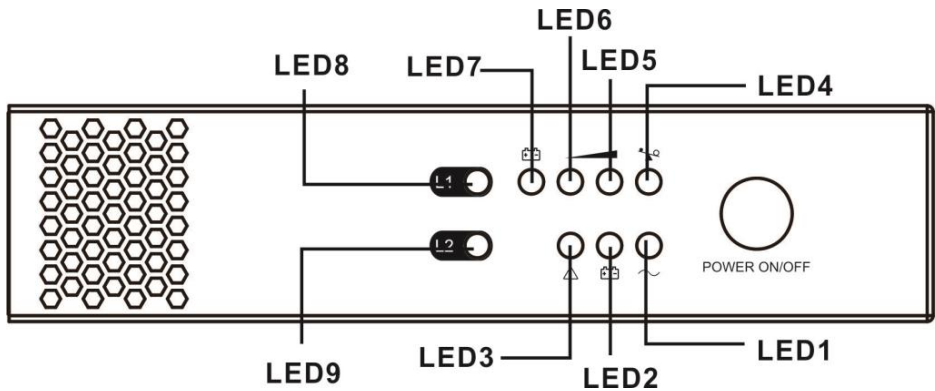
### 3. FONCTIONNEMENT

#### 3-1. Fonctions des boutons



Bouton	Fonction
Bouton Marche/Arrêt	<ul style="list-style-type: none"> <li>Mise en marche de l'onduleur : Appuyer sur ce bouton pendant au moins 2 secondes pour mettre l'onduleur en marche.</li> <li>Arrêt de l'onduleur : Appuyer sur ce bouton pendant au moins 2 secondes pour arrêter l'onduleur. l'onduleur sera en mode Veille si l'alimentation secteur est normale ou passera en mode By-pass si ce mode est activé par le biais du logiciel.</li> </ul>

#### 3-2. Indicateurs LED



L1 : mode normal (secteur présent)

L2 : mode batterie (secteur absent)

L3 : défaut

L4 à L7 : niveau de charge connecté / niveau de charge batterie

L8 (L1) : état prise de sortie principale

L9 (L2) : état prise de sortie programmée

État de l'onduleur	LED	Couleur	Allumée/Clignotante
Mode AC	LED 1	Verte	Allumée
	Les LED 4 à 7 indiquent le niveau de charge en mode AC. LED 4 : Charge > 75 % LED 5 : Charge comprise entre 50 et 75 % LED 6 : Charge comprise entre 25 et 50 % LED 7 : Charge comprise entre 0 et 25 %	Verte	Allumée
Mode Batteries	LED 2	Jaune	Clignotante
	Les LED 4 à 7 indiquent la capacité des batteries en mode Batterie. LED 4 : tension batteries > 26 V LED 5 : tension batteries > 24,5 V LED 6 : tension batteries > 23 V LED 7 : tension batteries > 21 V	Verte	Allumée
Batteries faibles	LED 7 :	Verte	Clignotante
Remplacement des batteries	LED 3	Rouge	Clignotante
Défaut	LED 3	Rouge	Allumée
État On/Off des prises de sortie	LED 8 : indication de l'état activation/désactivation des prises de sorties générales (Ⓢ) LED 9 : indication de l'état activation/désactivation des prises de sorties programmables (Ⓢ)	Verte	Allumée

### 3-3. Alarme sonore

Mode Batterie	Alarme sonore toutes les 4 secondes
Batterie faible	Alarme sonore chaque seconde
Surcharge	Deux signaux toutes les secondes.
Défaut	Alarme sonore continue.
Mode By-pass	Alarme sonore toutes les 10 secondes

## 4. DÉPANNAGE

Utiliser le tableau ci-dessous lorsque l'onduleur ne fonctionne pas correctement.

Symptôme	Cause possible	Remèdes
Pas d'indication ni d'alarme bien que le secteur soit normal.	L'alimentation AC n'est pas correctement connectée.	Vérifier que le cordon d'alimentation est solidement connecté au secteur.
	L'alimentation AC est connectée sur la sortie de l'onduleur.	Brancher correctement le cordon d'alimentation AC dans la prise d'alimentation AC.
Le secteur est normal mais la LED rouge est clignotante. L'alarme sonne toutes les secondes.	La connexion des batteries internes ou externes est mauvaise.	Connecter à nouveau les câbles des batteries en respectant la polarité.
L'alarme sonore deux fois toutes les secondes et la LED rouge clignote.	l'onduleur est surchargé.	Délester les charges en excès sur la sortie de l'onduleur.
	Après plusieurs défauts de surcharge, l'onduleur est verrouillé en mode By-pass. Les dispositifs connectés sont alimentés directement par le réseau.	Délester d'abord les charges en excès sur la sortie de l'onduleur. Arrêter ensuite l'onduleur et le redémarrer.
L'autonomie en mode batterie faible.	Les batteries ne sont pas complètement chargées.	Charger les batteries pendant au moins 5 heures. Si le niveau de charge des batteries est toujours faible, contacter le distributeur local.
	Défaut de batteries.	Remplacer les batteries par des batteries du même type.
La LED rouge est allumée et l'alarme sonne en continu.	Défaut de l'onduleur.	Contacter directement votre distributeur local.

## 5. STOCKAGE ET ENTRETIEN

### Utilisation

L'onduleur ne contient aucune pièce qui nécessite une intervention de la part de l'utilisateur. Les batteries doivent être remplacées lorsque leur durée de vie (de 3 à 5 ans dans une température ambiante de 20°C) a été dépassée. Dans ce cas, contacter le distributeur.



En fin de vie, les batteries doivent faire l'objet d'une collecte sélective et ne pas être jetés avec les ordures ménagères

### Stockage

Charger les batteries pendant 5 heures avant de les stocker. L'onduleur doit être stocké couvert et en position droite dans un endroit frais et sec. En cours de stockage, recharger les batteries conformément au tableau suivant :

Modèle	Température d'entreposage	Fréquence de chargement	Temps de charge
Modèle E3 Pro 1000 RM	20°C à -50°C	Tous les 3 mois	1 à 2 heures
	50°C à -55°C	Tous les 2 mois	1 à 2 heures

## 6. CARACTÉRISTIQUES TECHNIQUES

		<b>E3 PRO 1000 RM</b>
<b>Technologie</b>		ON LINE Double conversion
<b>Capacité en VA</b>		1000 VA/800 W
<b>Facteur de puissance</b>		0,8
<b>CARACTÉRISTIQUES PHYSIQUES</b>		
<b>Dimensions, P x L x H (mm)</b>		477 x 438 x 44
<b>Poids net (kg)</b>		12,7
<b>ENTRÉE</b>		
<b>Tension</b>		220/230/240 Vca
<b>Tension d'entrée nominale</b>		110-300 Vca sous 50% de charge / 160-300 Vca sous 100% de charge
<b>Plage de fréquence</b>		40-70 Hz
<b>Facteur de puissance</b>		≥0,99 sous tension nominale (pleine charge)
<b>SORTIE</b>		
<b>Tension</b>		220/230/240 Vca
<b>Régulation de tension</b>		± 1 %
<b>Plage de fréquence (plage synchronisée)</b>		57 à 63 Hz ou 47 à 53 Hz
<b>Plage de fréquence (Mode Batt)</b>		60 Hz ou 50 Hz ± 0.3 Hz
<b>Rapport de courant de crête</b>		3:1
<b>Distorsion harmonique</b>		≤ 3 % THD (Charge linéaire) - ≤ 5 % THD (Charge non linéaire)
<b>Temps de transfert</b>	<b>Mode En ligne vers mode Batteries</b>	0 ms
	<b>Onduleur à By-pass</b>	4 ms (typique)
<b>Forme d'onde</b>		Sinusoidale pure
<b>Normes de sorties IEC</b>		3 (10 A)
<b>RENDEMENT</b>		
<b>Mode AC / Batteries / Éco</b>		86 % / 83 % / 92 %
<b>BATTERIES</b>		
<b>Type de batteries</b>		Batteries au plomb-acide scellées
<b>Spécifications batteries et nombre</b>		6 V/9 AH x 4
<b>Temps de recharge typique</b>		9 heures pour atteindre 90 % de la capacité
<b>Tension de charge</b>		27,4 Vcc ± 1 %
<b>Autonomie</b>		De 5 à 30 min. en fonction de la charge connectée
<b>INDICATEURSv &amp; ALARMES</b>		
<b>Indicateur LED</b>		Mode AC, mode Batteries et indicateurs de défaut
<b>Alarmes</b>		Mode batterie, Batteries faibles, Surcharge, Défaut
<b>BATTERIE</b>		
<b>Chargeur de batterie</b>		Charge automatique dès branchement secteur
<b>Courant de charge</b>		1A
<b>GESTION/COMMUNICATION</b>		
<b>Communication</b>		Port USB SNMP optionnel : Gestion de la puissance à partir du gestionnaire SNMP (compatible VMware®) et du navigateur Web
<b>ENVIRONNEMENT</b>		
<b>Humidité relative</b>		20 - 90 % d'humidité relative à 0-50° sans condensation
<b>Altitude de fonctionnement</b>		Jusqu'à 1000 m au-dessus du niveau de la mer (> 1000 m 1 % de détérioration pour chaque 100 m)
<b>Niveau sonore</b>		Moins de 50 dBA à 1 mètre
<b>NORMES</b>		
<b>Standard</b>		CE RoHS
<b>EMC</b>		EN62040-2 :2006+AC :2006 (EN61000-3-2 :2014; EN61000-4-2 :2009; EN61000-4-3 :2006 +A2 :2010; EN61000-4-4 :2012; EN61000-4-5 :2006; EN61000-4-6 :2014; EN61000-4-8 :2010; EN61000-4-11 :2004; EN61000-2-2 :2002)
<b>LVD</b>		EN62040-1:2008+A1:2013
<b>INFORMATIONS DE VENTE</b>		
<b>Garantie</b>		2 ans
<b>Gencods</b>		67306

