



Automatic Switch Tranfert Système de Tranfert d'Alimentation



User guide _____ 2



Notice d'utilisation _____ 13



دليل الاستخدام _____ 27



User Guide

**To ensure this product is correctly installed and used appropriately,
we highly advise you to read this user guide very carefully.**

1. INTRODUCTION

This ATS product is designed with two independent power inlets to supply power to the load from a primary power source. Should primary power source fail, the secondary will automatically back up the connected equipment without any interruption. The transfer time from one line to another is seamless to the connected equipment. After switching to a secondary power source, the ATS can also switch power back to the primary input when power to the primary input is restored.

2. MAIN CHARACTERISTICS

- dedicated to UPS from 1 to 3 kVA (16A max)
- 2 independent power sources
- USB & RS 232 communication ports / Dry Contact port / SNMP

3. SAFETY INSTRUCTIONS – Security

▪ Risk of Electric Shock:

- ◊ The ATS unit uses potentially hazardous voltages. Do not attempt to disassemble this equipment as it does not contain accessible components that can be repaired by users.
- ◊ All repairs should be performed by qualified technicians only.
- ◊ The utility power outlet shall be near the equipment and easily accessible. To isolate the ATS from AC input, remove the plug from the utility power outlet.
- ◊ The mains outlet that supplies the ATS shall be located near the ATS and shall be easily accessible.
- ◊ Install the ATS in a temperature and humidity-controlled indoor area free of conductive interference.
- ◊ It should not be exposed to direct sunlight or sources of heat. Do not cover the ventilation slots.
- ◊ Disconnect the ATS from AC power before cleaning with a damp cloth (no cleaning products).
- ◊ In an emergency situation, switch the ATS to the “Off” position and disconnect the unit from the AC power supply.
- ◊ When the ATS is out of order, please refer to section: “**trouble shooting**” and call the hot line.

▪ Connected products:

- ◊ Combined ATS and connected equipment leakage current should not exceed 3,5 mA.
- ◊ Make sure that the connected load does not exceed ATS capabilities. Do not leave any recipients containing liquid on or near the ATS.
- ◊ Do not plug the ATS into a power strip or surge suppressor.
- ◊ Do not connect any household appliances such as microwaves, vacuum cleaners, hair dryers or life-support systems to the ATS.
- ◊ Use only CEE 7/7 plugs

4. STORAGE INSTRUCTIONS

Do not keep or use the ATS in any of the following environments:

- ✓ Any area with combustible gas, corrosive substance or heavy dust.
- ✓ Areas with excessively high or low temperature (above 40°C or below 0°C) and humidity of more than 90%.
- ✓ Areas exposed to direct sunlight or near sources of heat.
- ✓ Areas subject to major vibration.
- ✓ Outside.

In the event of fire in the vicinity, please use dry-powder extinguishers. The use of liquid extinguishers may present a danger of electric shock.

5. AFTER SALES SERVICE

IMPORTANT!

When calling the After-Sales Department, please have the following information ready, it will be required regardless of the problem: UPS model, serial number and date of purchase.

Please provide an accurate description of the problem with the following details: type of equipment powered by the ATS, indicator led status, alarm status, installation and environmental conditions.

You will find the technical information you require on your guarantee or on the identification plate on the back of the unit. If convenient you may enter the details in the following box.

Model	Serial number	Date of purchase
ATS ...		

! Please keep the original packaging. It will be required in the event the ATS is returned to the After-Sales Department.

CE conformity:



This logo means that this product answers to the EMC and LVD standards (regarding to the regulation associated with the electric equipment voltage and the electromagnetic fields).

IMPORTANT

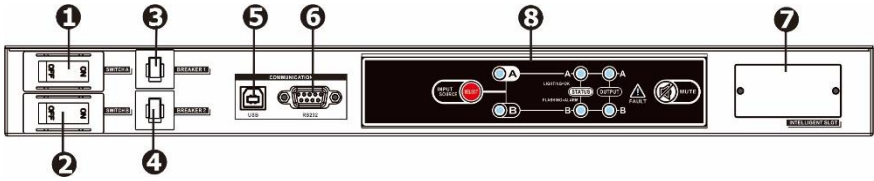


ATS belongs to the electronic and electrical equipment category. At the end of its useful life it must be disposed of separately and in an appropriate manner.

Contact your local recycling or hazardous waste centre for information on proper disposal of the used battery.

6. DESCRIPTION

FRONT PANEL



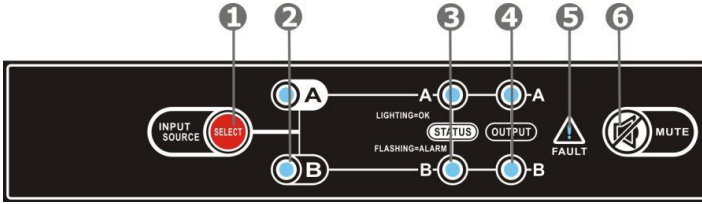
- ❶ Power switch for input source A
- ❷ Power switch for input source B
- ❸ Circuit breaker for output 1
- ❹ Circuit breaker for output 2
- ❺ USB communication port
- ❻ RS-232 communication port
- ❼ SNMP slot
- ❽ Operation indicators (please refer to section 4 for the details)

BACK PANELS



- ❶ Contact port (please refer to section 7 for the details)
- ❷ Output receptacles "Output 1" (IEC 10A)
- ❸ Output receptacles "Output 2" (IEC 10A)
- ❹ Output receptacle "Output 3" (IEC 16A)
- ❺ Input source A connector
- ❻ Input source B connector

OPERATION INDICATORS AND STATUS



- 1 Source preference selector
- 2 Priority setting LEDs (A or B)
- 3 Power source status LEDs A & B
- 4 Output source LEDs
- 5 Fault indicator
- 6 Alarm mute button

Indication type	LED description	LED status	Condition	Alarm
Priority setting LEDs	Source A (🔴)	ON	Source A is priority	OFF
	Source B (🔴)	OFF		
	Source A (🔴)	OFF	Source B is priority	OFF
	Source B (🔴)	ON		
Power source status	Status of source A (🟢)	OFF	Inlet A has no power input	OFF
		ON	Inlet A has power input, and power is OK	OFF
		Flashing	Inlet A has power input, but power is out of SPEC	OFF
	Status of source B (🟢)	OFF	Inlet B has no power input	OFF
		ON	Inlet B has power, and power is OK	OFF
		Flashing	Inlet B has power input, but power is out of SPEC	OFF
Output status	Output from source A (🟡)	ON	Power A is output	OFF
	Output from source B (🟡)	OFF		
	Output from source A (🟡)	OFF	Power B is output	OFF
	Output from source B (🟡)	ON		
	Output from source A (🟡)	OFF	NO OUTPUT	OFF
	Output from source B (🟡)	OFF		
Alarm	Fault (🔴)	OFF	Alarm not present	OFF
		ON	Alarm present	Continuously

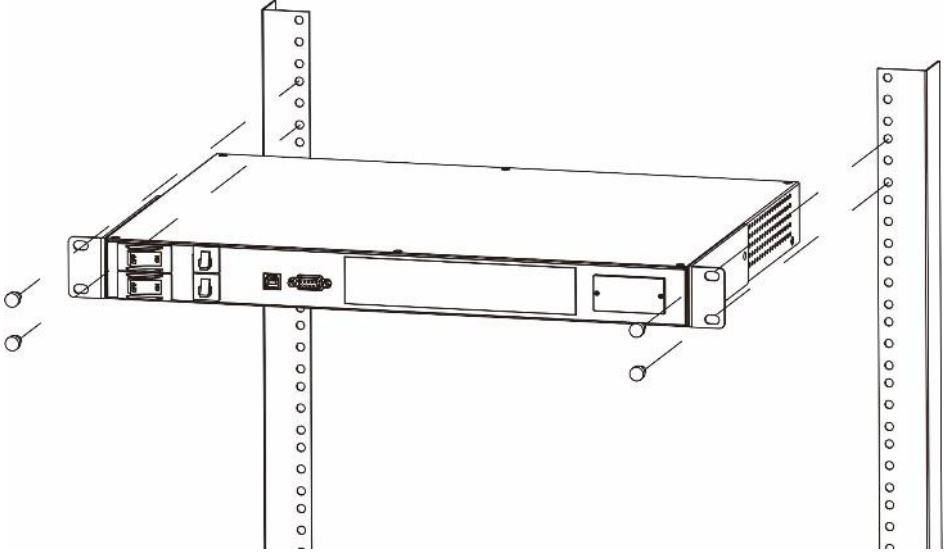
7. INSTALLATION AND OPERATION

1. Checking

When you receive your equipment, open the packaging and check that your ATS has not been damaged. Packaging includes: an ATS module, a user manual and mounting brackets.

2. Placement & storage conditions

The unit can be mounted in a standard 19" rack. Fasten the mounting brackets to the unit using the screws provided. With brackets attached securely, users can mount the unit in a standard 19" rack as shown below.



NOTE: If the temperature around the unit will rise above 40 °C, ventilation is required. The ATS has been designed to operate in a protected environment, at temperatures between 0°C and 40°C and at a humidity level ranging between 0% and 90% (no condensation). Do not obstruct the ventilation slots. Install the unit in an environment which is free from dust, chemical vapours and conductors. Moreover, in order to avoid any interference, keep the ATS at least 20cm away from the other items (UPS...).

3. Connection

For connecting the ATS, plug “input source A connector” and “input source B connector” to the two independent power sources or UPSs depending using the SCHUCKO-IEC or IEC-IEC 16A cables supplied.

Plug the user load to the output 10A (“Output 1 and 2”) or 16A (“Output 3”) sockets depending on user’s requirements.

4. On/Off

Put the input power switch in “ON” position. The output will then be supplied by the source set as selected.

Setting priority of power source: it is possible to set the power source preference to supply the output by pushing the button of “source preference selector”. The default power source is “Source A”.

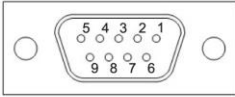
Function	Description	Default	Possible configuration
Source preference selector	Selection of input that normally supplies the load	Source A	- Source A - Source B

5. Communication port

The ATS is supplied with the following communication ports:

- Serial port is available with RS232 com. port and USB com. port on the front panel. NOTE: the use of one port automatically excludes the other.
- Dry contacts port on the rear panel.

Serial Ports: RS-232 & USB connectors



RS-232 connector



USB connector

PIN #	NAME	TYPE	SIGNAL
1			
2	TX	OUT	Serial line TX
3	RX	IN	Serial line RX
4			
5	GND	POWER	
6	+12V	POWER	
7			
8			
9			

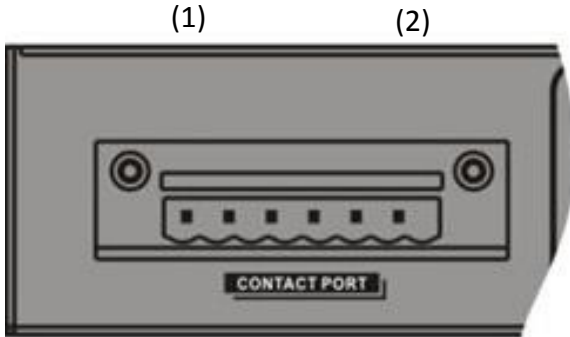
PIN #	SIGNAL
1	VBUS
2	D-
3	D+
4	GND

NOTE: The utilization of the communication port is optional and it is not necessary for the correct functioning of the ATS.

Contact Ports

The contacts port is formed using six (6) pins numbered from left to right (see fig. 1), which can be connected to an external monitoring system (such as a BMS) in order to monitor the operational status of the ATS.

The external equipment must respect the voltage and current characteristics of contacts port.



The contacts port provides the following pins:

Pin 1: common contact.

Pin 2: "Source B" active contact (if the contact between "pin 1" and "pin 2" is closed, output is supplied by "Source B").

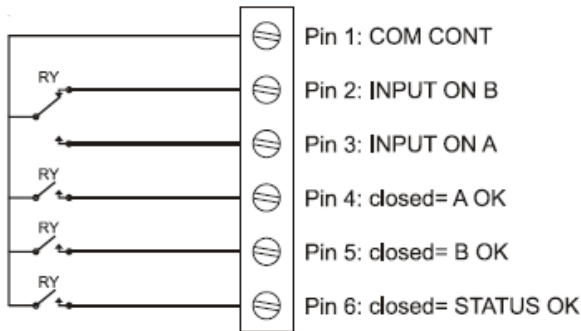
Pin 3: "Source A" active contact (if the contact between "pin 3" and "pin 1" is closed, output is supplied by "Source A").

Pin 4: "Source A" status OK contact (if the contact between "pin 4" and "pin 1" is closed, "Source A" is present and regular).

Pin 5: "Source B" status OK contact (if the contact between "pin 5" and "pin 1" is closed, "Source B" is present and regular).

Pin 6: Status OK contact (if the contact between "pin 6" and "pin 1" is closed, ATS functioning status is regular).

The following diagram shows the functioning of the contacts port.



Contacts port basic diagram

ATTENTION: The pins of the contact port are able to carry maximum current of 8A and maximum voltage of 250Vac.

8. TROUBLE SHOOTING

Use the table below to solve minor problems.

Should the ATS fail to function correctly we recommend you perform the following tests before calling the Hot Line.

Check list:

- Is both main switches in the “ON” position?
- Is the ATS source plugged into the mains power supply?
- Does the power supply fall within specified unit values?
- As the circuit breaker tripped?
- Is the ATS overloaded?

Problem	Possible Cause	Solution
The ATS with the mains voltage present, does don't turn on. (The LEDs does not flash and no alarm sounds.)	No connection with input plugs	Connect the mains to the input plugs as indicated in the installation section.
	Input switch in “OFF” position	Turn the input switches in “ON” position.
	Input power failure	Check that the mains voltage is present or check if the UPS supplying the ATS is powered on.
	Protective device upstream activated	Reset the protective device. Warning: check that there is no overload or short-circuit at the output of the UPS.
The load is not powered.	No connection with output sockets	Connect the load to the output sockets
	Intervention of 10A thermal protection	The thermal protection device will operate in the event of a short circuit or overload on one of the 10A output sockets. The thermal protection can be reset by pushing the button in which will result in the power being reconnected to the load. Therefore prior to attempting a reset of the thermal protection, please check the connected loads rating and/or determine if there are any problems. Then once reset, reconnect each load one at a time to ensure no problems exists.
The display shows nothing or provides incorrect information.	There is power supply problem in display.	Shut down the ATS completely and wait for a few seconds. Switch the ATS on again, if the problem persists, contact the nearest technical support centre.
The display is off but the load is powered.	There is power supply problem in display.	Contact the nearest technical support centre.

9. TECHNICAL SPECIFICATIONS

MODEL	ATS
INPUT	
Input Voltage	220/230/240 VAC
Acceptable Input Voltage Range	180 - 258 VAC
Input Frequency	50 Hz/60 Hz
Maximum Input Current	16 A
OUTPUT	
Output Voltage	220/230/240 VAC
Maximum Output Current	10 A for IEC-C13 outlets 16 A for IEC-C19 outlet
CONNECTION	
Input	2 x IEC-C20 inlets
Output	8 x IEC-C13 1 x IEC-C19
Communication	USB/RS-232
TRANSFER TIME	9-12ms (Typical), 16ms max.
PHYSICAL	
Dimension, D X W X H (mm)	330 X 483 X 44
Net Weight (kgs)	5.0
ENVIRONMENT	
Operating Temperature	0-95 % RH @ -5°C- 45°C (non-condensing)
NORMS	
Standard	CE RoHS

10. APPENDIX

Input Voltage and Frequency Thresholds

FUNCTION	DESCRIPTION	DEFAULT SETTING
Acceptable input voltage range for Source A	Source A will be power source during this range. When input voltage of source A is beyond this range, ATS will automatically switch to power from Source B.	180V – 258V
Return voltage point for Source A	When input voltage of Source A is back to normal, the ATS will switch back to Source A. (Setting Source A as priority power source and Source B is powering)	Low point: 190V High point: 248V
Acceptable input voltage range for Source B	Source B will be power source during this range. When input voltage of source B is beyond this range, ATS will automatically switch to power from Source A.	180V – 258V
Return voltage point for Source B	When input voltage of Source B is back to normal, the ATS will switch back to Source B. (Setting Source B as priority power source and Source A is powering)	Low point: 190V High point: 248V
Acceptable input frequency for Source A	Source A will be power source during this range. When input frequency of source A is beyond this range, ATS will automatically switch to power from Source B.	45Hz – 55Hz
Acceptable input frequency for Source B	Source B will be power source during this range. When input frequency of source B is beyond this range, ATS will automatically switch to power from Source A.	45Hz – 55Hz



Notice d'utilisation

Afin d'assurer une installation correcte et une utilisation appropriée de ce produit, nous vous conseillons de lire attentivement cette notice.

1. INTRODUCTION

Ce produit est conçu avec deux entrées pour deux alimentations indépendantes. Si la source d'alimentation primaire échoue, le secondaire prend automatiquement le relais. Après le passage à la source d'alimentation secondaire, l'ATS peut également revenir à la primaire lorsque l'alimentation est rétablie.

2. CARACTERISTIQUES PRINCIPALES

- Conçu pour les onduleurs de 1 à 3 kVA (16A max)
- 2 sources d'alimentation séparées et indépendantes
- Port de communication USB / RS 232 / Contacts secs / SNMP

3. INSTRUCTIONS DE SECURITE

- **Risque de choc électrique :**
 - ◊ Des tensions dangereuses existent à l'intérieur de l'ATS. Ne pas démonter cet appareil. Celui-ci ne contient pas de composants accessibles pour son dépannage.
 - ◊ Toutes les opérations de maintenance doivent être effectuées par un personnel qualifié.
 - ◊ L'équipement doit être placé près de la prise de courant et celle-ci doit être facilement accessible. Pour désactiver complètement l'ATS, débrancher le câble d'alimentation de l'appareil de la prise de courant.
 - ◊ Ne pas installer l'ATS en milieu trop chaud ou trop humide.
 - ◊ Ne pas l'exposer aux rayonnements solaires ou à toute autre source de chaleur. Ne pas couvrir les grilles de ventilation.
 - ◊ Débrancher l'ATS avant de le nettoyer. Ne pas utiliser de détergent liquide ou aérosol. Utiliser uniquement un chiffon légèrement humide.
 - ◊ En cas d'urgence, mettre l'interrupteur de tension sur "OFF", puis débrancher le câble d'alimentation de la prise de courant afin de désactiver complètement l'ATS.
 - ◊ Lorsque l'onduleur est en panne, se référer à la section 8 : «**Dépannage**» puis contactez le Service Après-Vente.
- **Produits connectés:**
 - ◊ La somme du courant de fuite de l'onduleur et de l'équipement connecté ne doit pas excéder 3,5 mA.
 - ◊ S'assurer que la charge alimentée n'est pas supérieure à la capacité de l'ATS
 - ◊ Ne pas laisser de récipient ouvert contenant un liquide sur ou près de l'ATS.
 - ◊ Ne pas connecter une multiprise ou un parasurtenseur à l'ATS.
 - ◊ Ne pas connecter l'ATS à des éléments non informatiques tels que du matériel médical d'entretien artificiel pour la vie, four micro-onde, aspirateur, sèche-cheveux...
 - ◊ Ne brancher que des prises CEE 7/7

4. INSTRUCTIONS DE STOCKAGE

Il est recommandé d'installer et d'utiliser l'ATS dans un environnement adapté suivant les recommandations suivantes :

- ✓ L'endroit doit être ventilé et exempt de poussière, de vapeurs chimiques et de contaminants conducteurs.

- ✓ La température de stockage doit impérativement être inférieure à 40°C et supérieure à 0°C.
- ✓ Le taux d'humidité doit être faible et ne pas dépasser 90%.
- ✓ Eviter toute exposition directe aux rayonnements solaires ou à toute autre source de chaleur.
- ✓ L'onduleur ne doit être utilisé qu'en intérieur

En cas d'incendie, merci d'utiliser un extincteur à poudre sèche pour éviter tout danger de choc électrique.

5. SERVICE APRES-VENTE

IMPORTANT !

Lors d'un appel au Service Après-Vente, nous vous recommandons de transmettre les informations suivantes qui vous seront dans tous les cas demandées : le modèle de l'ATS, le numéro de série, la date d'achat et le type de matériel alimenté par l'ATS, ainsi qu'une description précise du problème comprenant : état des voyants, état de l'alarme, conditions d'installations et d'environnement.

Ces renseignements sont notés sur le bon de garantie ou inscrits sur la plaque signalétique à l'arrière de l'appareil. Vous pouvez également les reporter dans le cadre ci-dessous.

Modèle	Numéro de série	Date d'achat
ATS...		

! Veuillez conserver l'emballage d'origine, il sera indispensable pour un éventuel retour de votre onduleur en nos locaux.

Conformité CE :



Ce logo signifie que ce produit est conforme aux exigences imposées par les directives LVD et EMC (relatives aux réglementations associées à la sécurité basse tension et à la compatibilité électromagnétique).

IMPORTANT



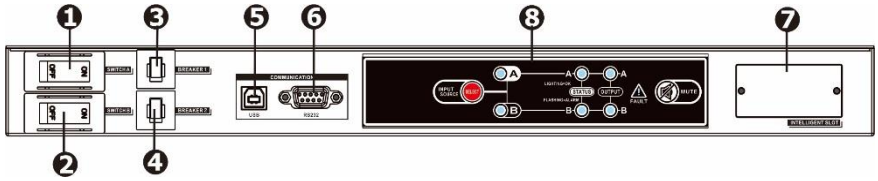
Les ATS appartiennent à la catégorie des équipements électriques et électroniques. En fin de vie, ces produits doivent faire l'objet d'une collecte sélective et ne pas être jetés avec les ordures ménagères.

Ce symbole est aussi apposé sur les batteries fournies avec cet appareil, ce qui signifie qu'elles doivent également être remises à un point de collecte approprié.

Prenez contact avec le système de recyclage ou centre de déchets dangereux local pour obtenir l'information adéquate sur le recyclage de la batterie usagée.

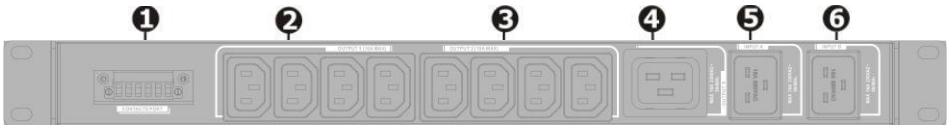
6. DESCRIPTION

FACE AVANT



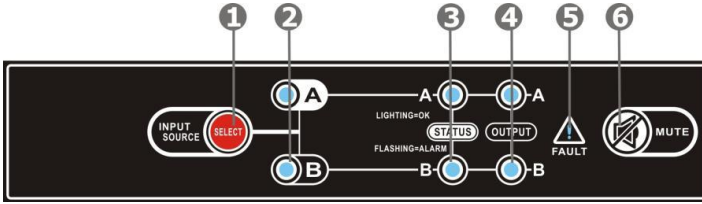
- ❶ Bouton d'alimentation pour la source d'entrée A
- ❷ Bouton d'alimentation pour la source d'entrée B
- ❸ Disjoncteur pour la sortie 1
- ❹ Disjoncteur pour la sortie 2
- ❺ Port de communication port USB
- ❻ Port de communication RS-232
- ❼ Emplacement SNMP
- ❽ Indication de fonctionnement (se référer à la section « Indicateurs de fonctionnement et statut » pour plus de détails)

FACE ARRIERE



- ❶ Connecteur contacts secs (se référer à la partie "Connecteur de contact sec pour plus de détails)
- ❷ Prises de sorties "Output 1" (IEC 10A)
- ❸ Prises de sorties " Output 2" (IEC 10A)
- ❹ Prises de sorties " Output 3" (IEC 16A)
- ❺ Source d'entrée " Input A"
- ❻ Source d'entrée " Input B"

INDICATEURS DE FONCTIONNEMENT ET STATUT



- 1** Sélection de source d'alimentation prioritaire
- 2** Voyants d'indication de la source prioritaire (A ou B)
- 3** Voyants d'état des sources d'alimentation A et B
- 4** Voyants d'indication de l'alimentation de sortie
- 5** Voyant défaut
- 6** Bouton silencieux

Type d'indicateur	Description du voyant	Statut	Condition	Alarme
Priorité	Source A (☉)	ON	Source A est prioritaire	OFF
	Source B (☉)	OFF		
	Source A (☉)	OFF	Source B est prioritaire	OFF
	Source B (☉)	ON		
Source d'alimentation	Statut de la source A (☉)	OFF	La prise A n'a pas de courant en entrée	OFF
		ON	La prise A a du courant en entrée et le courant est délivré	OFF
		Clignote	La prise A a du courant en entrée, mais le courant n'est pas délivré	OFF
	Statut de la source B (☉)	OFF	La prise B n'as pas de courant en entrée	OFF
		ON	La prise B a du courant en entrée et le courant est délivré	OFF
		Clignote	La prise B a du courant en entrée, mais le courant n'est pas délivré	OFF
Source de sortie	Sortie de la source A (☉)	ON	Alimentation A en sortie	OFF
	Sortie de la source B (☉)	OFF		
	Sortie de la source A (☉)	OFF	Alimentation B en sortie	OFF
	Sortie de la source B (☉)	ON		
	Sortie de la source A (☉)	OFF	Pas de sortie	OFF
	Sortie de la source B (☉)	OFF		
Alarme	Défaut (☉)	OFF	Pas de défaut	OFF
		ON	Alarme active	Continuellement

ON : allumé
OFF : éteint

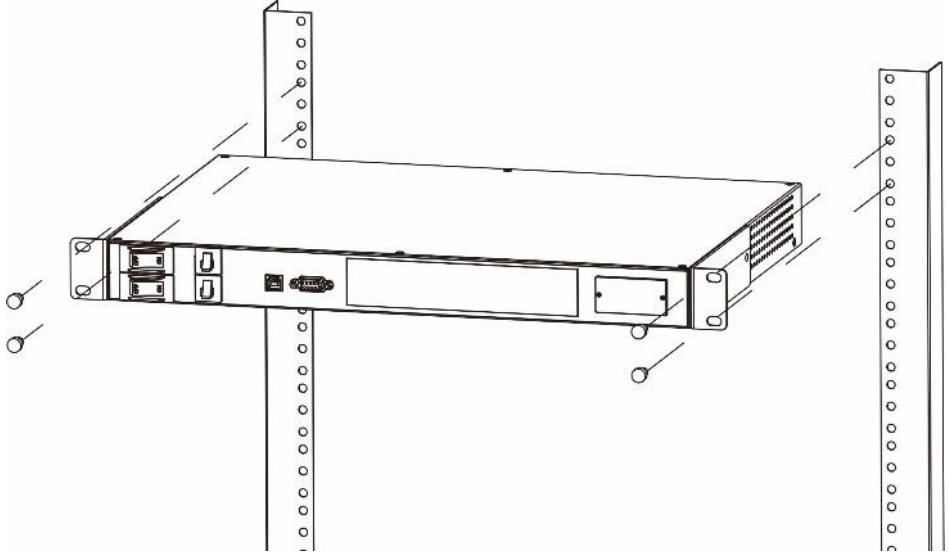
7. INSTALLATION ET MISE EN SERVICE

1. Contrôle

Dès réception du matériel, ouvrir l'emballage et vérifier le parfait état de l'ATS. Le packaging contient : un ATS, une notice d'utilisation et des équerres de fixation.

2. Lieu et installation

L'ATS peut être monté en rack standard de 19". Fixez les équerres sur l'appareil en utilisant les vis fournies et installer l'appareil en position standard (rack 19") comme ci-dessous :



NOTE : si la température environnante s'élève à plus de 40°, une ventilation est nécessaire. L'ATS est conçu pour une installation en environnement protégé à une température comprise entre 0°C et 40°C et un taux d'humidité compris entre 0% et 90% sans condensation.

Ne pas obstruer les grilles de ventilation. Installer l'appareil dans un endroit exempt de poussière, de vapeurs chimiques et de contaminants conducteurs.

Par ailleurs, afin d'éviter toute perturbation électromagnétique, éloigner l'ATS d'au moins 50 cm de l'unité centrale et du moniteur.

3. Connexion

Pour brancher l'ATS, brancher la source d'entrée A et la source d'entrée B à deux sources d'alimentation indépendantes ou onduleur avec les câbles SCHUKO-IEC ou IEC-IEC 16A.

Brancher la charge aux prises de sortie 10A (sortie 1 et 2) ou 16A (sortie 3) en fonction de l'utilisation.

4. Marche / Arrêt

Mettre le bouton d'alimentation en position "ON". La sortie sera alors alimentée.

Définition de la priorité de la source d'alimentation: il est possible de définir la préférence de source pour alimenter la sortie en appuyant sur le bouton de « priorité ». La source d'alimentation par défaut est "Source A".

Fonction	Description	Défaut	Configuration possible
Sélection source préférence	Sélection d'entrée qui alimente normalement la charge	Source A	- Source A - Source B

5. Port de communication

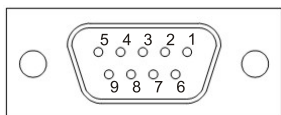
L'ATS est équipé avec les ports de communication suivants:

- port de communication disponible en RS232 et USB sur le panneau avant.

REMARQUE: l'utilisation d'un port exclut automatiquement l'autre.

- Contacts secs sur le panneau arrière.

Ports de communication: RS-232 & USB



Port RS 232



Port USB

N° broche	Nom	Type	Signal
1			
2	TX	OUT	Serial line TX
3	RX	IN	Serial line RX
4			
5	GND	POWER	
6	+12V	POWER	
7			
8			
9			

N° broche	Signal
1	VBUS
2	D-
3	D+
4	GND

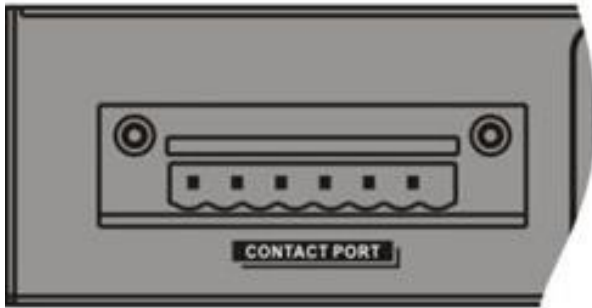
Ports de contacts secs

Le port de contacts secs est constitué de six (6) broches numérotées de gauche à droite (voir ci-après), qui peut être connectés à un système de surveillance externe afin de surveiller l'état de fonctionnement de l'ATS.

L'équipement externe doit respecter la tension et les caractéristiques des contacts secs.

(1)

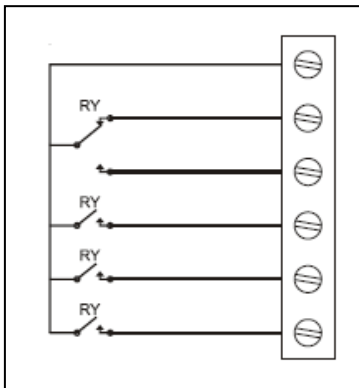
(6)



Le port de contacts fournit les informations suivantes:

- Broche 1: contact commun.
- Broche 2: "Source B" active (si le contact entre "Broche 1" et "Broche 2" est fermé, l'alimentation est fournie par "Source B").
- Broche 3: "Source A" active (si le contact entre "Broches 1" et "Broche 3" est fermé, l'alimentation est fournie par "Source A")
- Broche 4: "Source A" présente (si le contact entre " Broche 4" et "Broche 1" est fermé, "Source A" est présente et régulière).
- Broche 5: "Source B" présente (si le contact entre " Broche 5" et "Broche 1" est fermé, "Source B" est présente et régulière).
- Broche 6: Statut du contact OK (si le contact entre " Broche 6" et "Broche 1" est fermé, état de l'ATS ok).

Le schéma suivant illustre le fonctionnement du port de contacts secs :



Broche 1 : contact commun

Broche 2 : Entrée en source B

Broche 3 : Entrée en source A

Broche 4 : Fermé = source A active

Broche 5 : Fermé = source B active

Broche 6 : fermé = statut OK

ATTENTION: les contacts secs peuvent supporter un courant maximum de 8A et une tension maximale de 250 VA.

8. DEPANNAGE

Utilisez le tableau ci-après pour résoudre les problèmes mineurs.

Dans le cas où l'ATS ne fonctionnerait pas correctement, nous vous recommandons d'effectuer les tests suivants avant d'appeler le Service Après-Vente.

Vérifier que :

- L'interrupteur marche/arrêt est en position « marche » (ON)?
- L'ATS est-il raccordé à une prise de courant sous tension (2P+T)?
- La tension d'alimentation est-elle comprise dans les valeurs spécifiées ?
- Quel est l'état des voyants ?

Problème	Cause possible	Solution
L'ATS avec la tension secteur, ne s'allume pas. (les voyants ne clignotent pas et l'alarme n'émet aucun son.)	Pas de connexion avec les prises d'entrée	Connectez le secteur aux prises d'entrée (comme indiqué dans la section d'installation).
	Interrupteur en position "OFF"	Mettre l'interrupteur en mode "ON"
	Panne de courant en entrée	Vérifiez que la tension secteur est présente ou vérifier si les appareils alimentant l'ATS sont sous tension.
	Dispositif de protection activé	Retirer le dispositif de protection. Attention: vérifier qu'il n'y a pas de surcharge ou de court-circuit à la sortie de l'onduleur.
La charge n'est pas alimentée	Pas de courant en sortie	Brancher la charge aux prises de sortie
	Protection thermique de 10A	Le dispositif de protection thermique fonctionne dans le cas d'un court-circuit ou d'une surcharge sur l'une des prises de sortie 10A. La protection thermique peut être remise à zéro en appuyant sur le bouton qui se traduira par la réalimentation de la charge. Donc avant de tenter une réinitialisation de la protection thermique, vérifier la puissance connectée aux charges et / ou déterminer si des problèmes persistent. Puis, une fois remise, reconnecter chaque charge afin de s'assurer qu'aucun problème ne persiste.
L'écran n'affiche rien ou fournit des renseignements erronés.	Problème d'alimentation électrique à l'écran.	Arrêtez complètement l'ATS et attendre quelques secondes. Brancher l'ATS à nouveau, si le problème persiste, contactez le SAV.
L'écran est éteint, mais la charge est alimentée.	Problème d'alimentation électrique à l'écran.	Contactez le SAV

9. CARACTERISTIQUES TECHNIQUES

MODELE	ATS
ENTREE	
Tension d'entrée	220/230/240 VAC
Plage de tension acceptable	180 - 258 VAC
Fréquence	50 Hz/60 Hz
Courant d'entrée maximum	16 A
SORTIE	
Tension de sortie	220/230/240 VAC
Courant de sortie maximum	10 A pour les prises IEC-C13 16 A pour la prise IEC-C19
CONNECTION	
Entrée	2 x IEC-C20 en entrée
Sortie	8 x IEC-C13 1 x IEC-C19
Communication	USB/RS-232
TEMPS DE TRANSFERT	9-12min (Typique), 16min max.
CARACTERISTIQUES PHYSIQUES	
Dimension, L X l X H (mm)	483 X 330 X 44
Poids net (kgs)	5.0
ENVIRONNEMENT	
Humidité	0-95 % RH @ -5°C- 45°C (sans condensation)
NORMES	
Standard	CE RoHS

10. ANNEXE

Tension d'entrée et seuil de fréquence :

FONCTION	DESCRIPTION	DEFAULT
Plage de tension acceptable pour la Source A	Source A sera la source d'alimentation au cours de cette plage de tension. Lorsque la tension d'entrée de la source A sera au-delà de cette plage, l'ATS basculera automatiquement sur la source B.	180V – 258V
Retour à la tension de la Source A	Lorsque la tension d'entrée de la source A est de retour à la normale, l'ATS revient à la source A. (Configuration de la Source A comme source d'énergie prioritaire et la Source B est mise sous tension)	Basse tension: 190V Haute tension: 248V
Plage de tension acceptable pour la Source B	Source A sera la source d'alimentation au cours de cette plage de tension. Lorsque la tension d'entrée de la source A sera au-delà de cette plage, l'ATS basculera automatiquement sur la source A.	180V – 258V
Retour à la tension de la Source A	Lorsque la tension d'entrée de la source B est de retour à la normale, l'ATS revient à la source B. (Configuration de la Source B comme source d'énergie prioritaire et source A est mise sous tension)	Basse tension: 190V Haute tension: 248V
Fréquence d'entrée acceptable pour Source A	La source A sera la source d'alimentation au cours de cette plage de fréquence. Lorsque la fréquence d'entrée de la source A est au-delà de cette plage, l'ATS bascule automatiquement sur la source B.	45Hz – 55Hz
Fréquence d'entrée acceptable pour Source B	La source B sera la source d'alimentation au cours de cette plage de fréquence. Lorsque la fréquence d'entrée de la source B est au-delà de cette plage, l'ATS bascule automatiquement sur la source A.	45Hz – 55Hz



دليل الاستخدام

ضمان التركيب الصحيح والاستخدام المناسب لهذا المنتج، ننصحك بقراءة هذا الدليل بعناية.

1. مقدمة

إن هذا المنتج مصمم بمدخلين لإمدادات الطاقة المستقلة. إذا فشل مصدر الطاقة الأساسي، فسيؤتي العمل مصدر الطاقة الثانوي أوتوماتيكياً. بعد التبديل إلى مصدر الطاقة الثانوي يمكن لمفتاح التبديل الأتوماتيكي ATS أيضاً الرجوع إلى المصدر الأساسي عند استعادة الطاقة.

2. الخصائص الأساسية

- مصمم لمزودي الطاقة اللانقطعة من 1 إلى 3 كيلو فولت أمبير (16 أمبير كحد أقصى)
- مصدر طاقة منفصلة ومستقلة
- منفذ اتصال USB / RS 232 / منفذ اتصالات جاف / SNMP

3. تعليمات السلامة

- خطر حدوث صدمة كهربائية:
 - هناك جهد خطر داخل مفتاح التبديل الأتوماتيكي. لا تفكك هذا الجهاز، فهو لا يحتوي على مكونات يمكن الوصول إليها لاستكشاف الأخطاء وإصلاحها.
 - يجب إجراء جميع عمليات الصيانة من قبل تقنيين مؤهلين.
 - يجب وضع الجهاز بالقرب من منفذ الطاقة ويجب أن يكون سهل الوصول إليه. لإيقاف تشغيل مفتاح التبديل الأتوماتيكي تماماً، افصل كبل تغذية الطاقة من الجهاز من مأخذ التيار الكهربائي.
 - لا تركيب جهاز مفتاح التبديل الأتوماتيكي في بيئة ساخنة أو رطبة.
 - لا تعرض الجهاز لأشعة الشمس أو غيرها من مصادر الحرارة. لا تغطّ شبكات التهوية.
 - افصل مفتاح التبديل الأتوماتيكي قبل تنظيفه. لا تستخدم المنظفات السائلة أو الرذاذ. استخدم قطعة قماش مبللة قليلاً.
 - في حالة الطوارئ، أدر مفتاح الطاقة إلى وضعية "OFF"، ثم افصل كابل الطاقة من مأخذ التيار الكهربائي لإيقاف تشغيل مفتاح التبديل الأتوماتيكي تماماً.
 - عندما يكون مزود الطاقة اللانقطعة معطلاً، ارجع إلى القسم 8: "إصلاح الأخطاء" واتصل بخدمة ما بعد البيع.

المنتجات المتصلة:

- يجب ألا يتجاوز مجموع تيار التسرب من مزود الطاقة اللانقطعة والمعدات المتصلة به 3.5 ميلي أمبير.
- تأكد من أن شحنة المدخل ليست أكبر من قدرة ATS
- لا تترك وعاء مفتوحاً يحوي سائلاً على ATS أو بالقرب منه.
- لا تصل ATS بمأخذ كهربائي متعدد أو بواقي فرط الجهد.
- لا تصل ATS بعناصر غير الحاسوب مثل معدات الصيانة الطبية الاصطناعية للحياة، فرن الميكروويف، مكثفة كهربائية، مجفف شعر...
- فقط قم بتوصيله بالمقابس من النمط CEE 7/7

4. تعليمات التخزين

- يوصى بتزيكيب واستخدام مفتاح التبديل الأتوماتيكي في بيئة مناسبة وفقاً للتوصيات التالية:
- تجنب تهوية المنطقة وتخليتها من الغبار والأبخرة الكيميائية والملوثات الموصلة.
- يجب أن تقلّ درجة حرارة التخزين عن 40 درجة مئوية وأعلى من الصفر.
- يجب أن يكون محتوى الرطوبة منخفضاً ولا يتجاوز 90%.
- تجنب التعرض المباشر لأشعة الشمس أو أي مصدر آخر للحرارة.

✓ يجب استخدام مزود الطاقة اللامنقطعة في الداخل فقط.

في حالة نشوب حريق، الرجاء استخدام مطفاة حريق ذات مسحوق جاف لتجنب خطر حدوث صدمة كهربائية.

5. خدمة ما بعد البيع

تنبيه مهم!

نوصي بتقديم المعلومات التالية عند الاتصال بخدمة ما بعد البيع، وهي ستكون مطلوبة دائماً: نموذج مفتاح التبديل الأوتوماتيكي والرقم التسلسلي وتاريخ الشراء ونوع المعدات المربوطة بعد مفتاح التبديل الأوتوماتيكي، فضلاً عن وصف واضح للمشكلة بما في ذلك: حالة المؤشرات الضوئية، وحالة المنبه، وظروف التركيب والبيئة.

هذه المعلومات مسجلة على ورقة الضمان أو على اللوحة الموجودة في الجانب الخلفي من الجهاز. يمكنك أيضاً الإبلاغ عنها في المربع أدناه.

النموذج	الرقم التسلسلي	تاريخ الشراء
ATS...		

! الرجاء الحفاظ على العلبة الأصلية، سيكون من الضروري إرجاع مزود الطاقة اللامنقطعة الخاص بك إلى مقراتنا.

المطابقة مع قوانين الاتحاد الأوروبي:

هذا الشعار يعني أن هذا المنتج يلبي متطلبات إرشادات LVD و EMC (للوائح المتعلقة بالسلامة عند الجهد المنخفض والتوافق الكهرومغناطيسي).

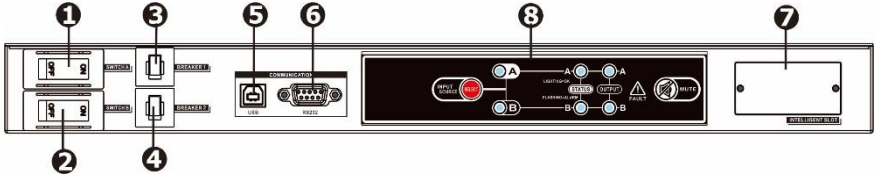


تنبيه مهم

ينتمي مفتاح التبديل الأوتوماتيكي إلى فئة المعدات الكهربائية والإلكترونية. وفي نهاية خدمته، يجب جمع هذه المنتجات بشكل منفصل ولا يجب التخلص منها مع النفايات المنزلية. يوضع هذا الرمز أيضاً على البطاريات المتوفرة مع هذا الجهاز، وهذا يعني أنه يجب تسليمها أيضاً إلى نقطة تجميع مناسبة. اتصل بنظام إعادة التدوير المحلي أو مركز النفايات الخطرة للحصول على معلومات مناسبة عن إعادة تدوير البطارية المستخدمة.



اللوحة الأمامية



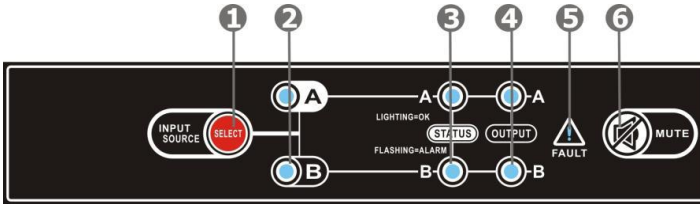
- 1 زر الطاقة لمصدر المدخل A
- 2 زر الطاقة لمصدر المدخل B
- 3 قاطع الدائرة للمخرج 1
- 4 قاطع الدائرة للمخرج 2
- 5 منفذ الاتصالات يو إس بي
- 6 منفذ الاتصالات RS-232
- 7 موضع مخصص لـ SNMP
- 8 مؤشر العمل (الرجاء الرجوع إلى قسم "مؤشرات التشغيل والحالة" للمزيد من التفاصيل)

اللوحة الخلفية



- 1 موصل للتوصيلات الخلفية (راجع قسم "موصل الاتصال الجاف" لمزيد من التفاصيل)
- 2 مقاييس المخارج "المخرج 1" (IEC 10A)
- 3 مقاييس المخارج "المخرج 2" (IEC 10A)
- 4 مقاييس المخارج "المخرج 3" (IEC 16A)
- 5 مصدر المدخل "المدخل A"
- 6 مصدر المدخل "المدخل B"

مؤشرات التشغيل والوضع



- ❶ اختيار مصدر الطاقة ذي الأولوية
- ❷ مؤشرات ضوئية لمصدر الطاقة ذي الأولوية (A أو B)
- ❸ مؤشرات ضوئية لحالة مصدري الطاقة A و B
- ❹ مؤشرات ضوئية تشير إلى تغذية المخرج
- ❺ مؤشر الخطأ
- ❻ زر الصمت للإنذار

نمط المؤشر	وصف المؤشر الضوئي	الوضعية	الظرف	الإنداز
أولوية	المصدر A (2)	ON	المصدر A هو أولوية	OFF
	المصدر B (2)	OFF		
	المصدر A (2)	OFF	المصدر B هو أولوية	OFF
	المصدر B (2)	ON		
مصدر التغذية	وضعية المصدر A (3)	OFF	لا يوجد تيار في مدخل القابس A	OFF
		ON	يوجد تيار في مدخل القابس A والتيار واصل	OFF
		يومض	يوجد تيار في مدخل القابس A ولكن التيار غير واصل	OFF
	وضعية المصدر B (3)	OFF	لا يوجد تيار في مدخل القابس B	OFF
		ON	يوجد تيار في مدخل القابس B والتيار واصل	OFF
		يومض	يوجد تيار في مدخل القابس B ولكن التيار غير واصل	OFF
مصدر المخرج	مخرج المصدر A (4)	ON	التغذية A في الخرج	OFF
	مخرج المصدر B (4)	OFF		
	مخرج المصدر A (4)	OFF	التغذية B في المخرج	OFF
	مخرج المصدر B (4)	ON		
	مخرج المصدر A (4)	OFF	لا يوجد مخرج	OFF
	مخرج المصدر B (4)	OFF		
إنداز	افتراضي (5)	OFF	لا يوجد افتراضي	OFF
		ON	الإنداز يعمل باستمرار	ON

ON: يعمل
OFF: مطفأ

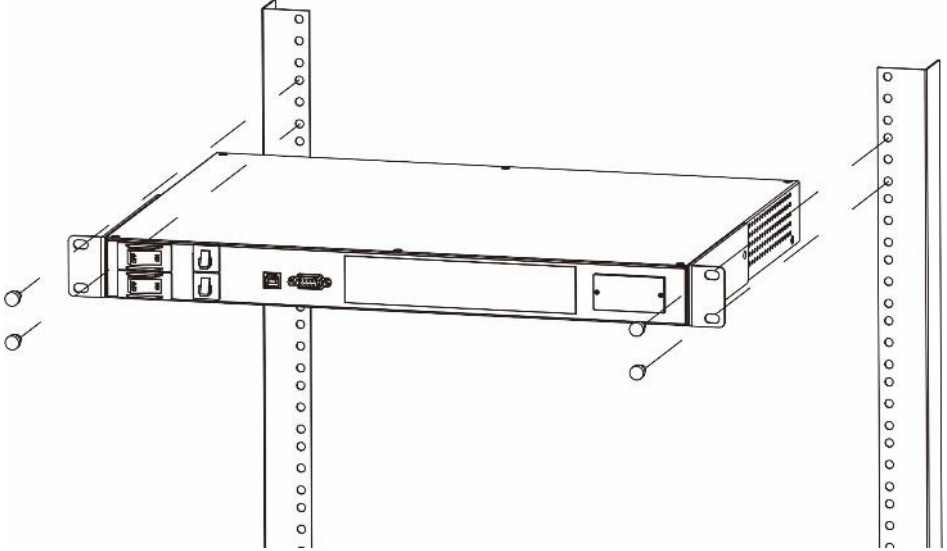
7. التركيب والتشغيل

1. الضبط

حال استلام المعدات، افتح العلبة وافحص الحالة المثالية لمفتاح التبديل الأتوماتيكي. تحتوي العلبة على: مفتاح التبديل الأتوماتيكي، ودليل المستخدم ودعائم التثبيت.

2. الموقع والتركيب

يمكن تركيب مفتاح التبديل الأتوماتيكي على حامل قياسي 19 بوصة. يجب تركيب الدعائم على الجهاز باستخدام البراغي المرفقة ثم ركب الجهاز في الوضع القياسي (على حامل 19 بوصة) بالنحو التالي:



ملاحظة: إذا ارتفعت درجة الحرارة المحيطة عن 40 درجة، فستكون التهوية ضرورية. مفتاح التبديل الأتوماتيكي مصمم بحيث يكون تثبيته في بيئة محمية ضمن درجة حرارة تتراوح بين 0 درجة مئوية و40 درجة مئوية ومعدل رطوبة يتراوح بين 0% و90% دون تكاثف. لا تسد شبكات التهوية. ركب الجهاز في مكان خال من الأتربة والأبخرة الكيميائية والملوثات الموصلة. بالإضافة إلى ذلك، لتجنب الاضرار ابات الكهرمغناطيسية، حافظ على مسافة 50 سم على الأقل بين الجهاز والوحدة المركزية والشاشة.

3. التوصيل

لتوصيل مفتاح التبديل الأتوماتيكي، قم بتوصيل مصدر المدخل A ومصدر المدخل B إلى مصدرين للطاقة المستقلين أو لمزود الطاقة اللامنقطعة مع بوابات IEC-SCHUKO أو IEC-16A. قم بتوصيل الشحنة إلى المخرجات 10 أمبير (المخرج 1 و 2) أو 16 أمبير (المخرج 3) بحسب الاستخدام.

4. التشغيل / الإطفاء

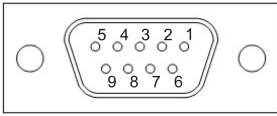
ضع مفتاح التغذية الكهربائية على الوضع "ON" بحيث يكون المخرج مغذًى. حدّد أولوية مصدر الطاقة: يمكنك تعيين تفضيل مصدر تشغيل المخرج بالضغط على زر "أولوية". مصدر التغذية الافتراضي هو "المصدر A".

الترتيب الممكن	الافتراضي	الوصف	الوظيفة
- المصدر A - المصدر B	المصدر A	اختيار المدخل الذي يغذي عادةً الشحنة	اختيار المصدر المفضّل

5. منفذ الاتصالات

- مفتاح التبديل الأوتوماتيكي مجهز بمنافذ الاتصالات التالية:
- منفذ الاتصالات المتاحة في RS232 و USB على اللوحة الأمامية.
 - ملحوظة: استخدام منفذ واحد بلغي الآخر أوتوماتيكياً.
 - موصلات الاتصال الجافة على اللوحة الخلفية.

منافذ الاتصالات: RS-232 و USB



منفذ RS 232



منفذ USB

الإشارة	رقم الديوس
VBUS	1
D-	2
D+	3
GND	4

الإشارة	النمط	الاسم	رقم الديوس
			1
الخط المتسلسل TX	مخرج	TX	2
الخط المتسلسل RX	مدخل	RX	3
			4
	طاقة	GND	5
	طاقة	+12V	6
			7
			8
			9

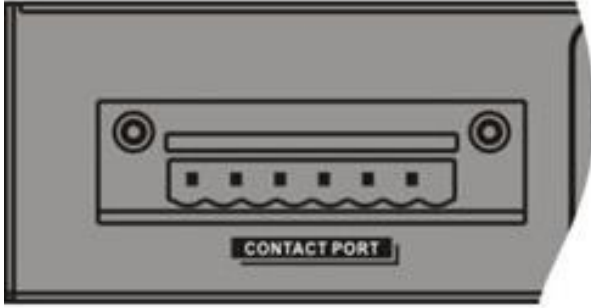
منافذ الاتصال الجاف

يتكون منفذ الاتصال الجاف من ستة (6) دببببب مرقمة من اليسار إلى اليمين (انظر أدناه)، ويمكن توصيلها بنظام مراقبة خارجي لمراقبة الحالة التشغيلية لمفتاح التبديل الأوتوماتيكي.

يجب أن تحترم المعدات الخارجية الجهد والمواصفات الخاصة بمنافذ الاتصال الجافة.

(1)

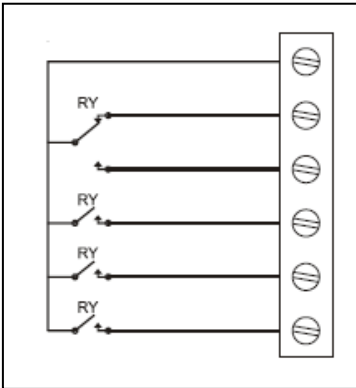
(6)



يوفر منفذ الاتصالات المعلومات التالية:

- الدبوس 1: الاتصال المشترك.
- الدبوس 2: "المصدر B" نشط (إذا كان الاتصال بين "الدبوس 1" و "الدبوس 2" مغلقًا، تتوفر التغذية من خلال "المصدر B").
- الدبوس 3: "المصدر A" نشط (إذا كان الاتصال بين "الدبوس 1" و "الدبوس 3" مغلقًا، تتوفر التغذية من خلال "المصدر A").
- الدبوس 4: "المصدر A" موجود (إذا كان الاتصال بين "الدبوس 4" و "الدبوس 1" مغلقًا، فإن "المصدر A" موجود ومنتظم).
- الدبوس 5: "المصدر B" موجود (إذا كان الاتصال بين "الدبوس 5" و "الدبوس 1" مغلقًا، فإن "المصدر B" موجود ومنتظم).
- الدبوس 6: حالة الاتصال OK (إذا كان الاتصال بين "الدبوس 6" و "الدبوس 1" مغلقًا، تكون وضعية مفتاح التبديل الأوتوماتيكي هي OK).

يوضح الرسم البياني التالي تشغيل منفذ الاتصال الجاف:



الدبوس 1: الاتصال المشترك

الدبوس 2: الدخل من المصدر B

الدبوس 3: الدخل من المصدر A

الدبوس 4: مغلق = المصدر A فعّال

الدبوس 5: مغلق = المصدر B فعّال

الدبوس 6: مغلق = الوضع OK

تحذير: يبلغ أقصى تيار يمكن أن تتحمله منافذ الاتصالات الجافة 8 أمبير وأقصى جهد 250 فولت.

8. استكشاف الأخطاء وإصلاحها

استخدم الجدول أدناه لحل المشكلات البسيطة.

في حالة عدم عمل مفتاح التبديل الأوتوماتيكي بشكل صحيح، نوصي بإجراء الاختبارات التالية قبل الاتصال بخدمة ما بعد البيع.

تحقق مما يلي:

- هل مفتاح التشغيل / الإيقاف هو في وضع "ON"؟
- هل مفتاح التبديل الأوتوماتيكي موصول بمنفذ طاقة مباشر (2P+T)؟
- هل جهد التغذية هو ضمن القيم المحددة؟
- ما حالة المؤشرات الضوئية؟

المشكلة	السبب الممكن	الحل
مفتاح التبديل الأوتوماتيكي موصول بالجهد الكهربائي ولكنه لا يشتغل. (المؤشرات الضوئية لا تومض والإنذار لا يصدر صوتًا.)	لا يوجد اتصال بمأخذ المدخل	قم بتوصيل التيار الكهربائي بمقبس المدخل (كما هو موضح في قسم التركيب).
	القاطع على الوضعية "OFF"	ضع القاطع على الوضعية "ON"
	انقطاع التيار الكهربائي في المدخل	تأكد من وجود التيار الكهربائي الأساسي أو تحقق مما إذا كانت الأجهزة المزودة لمفتاح التبديل الأوتوماتيكي مشغلة.
الشحنة غير مغذية	جهاز الحماية نشط	افصل جهاز الحماية. تنبيه: تأكد من عدم وجود شحنة زائدة أو ماس كهربائي عند مخرج مزود الطاقة اللامقطعة.
	لا يوجد تيار في المخرج	قم بتوصيل الشحنة بمقابس المخرج
لا تعرض الشاشة أي شيء أو تقدم معلومات غير صحيحة.	الحماية الحرارية تبلغ A10	يعمل جهاز الحماية الحرارية في حالة وجود دائرة كهربائية قصيرة أو شحنة زائدة على أحد مقابس المخرج A10. تمكن إعادة ضبط الحماية الحرارية بالضغط على الزر الذي سيؤدي إلى إعادة تغذية الشحنة. لذلك، قُبِل محاولة إعادة ضبط الحماية الحرارية، تحقق من الطاقة الموصولة بالأحمال و/أو حدد إن بقيت المشكلات مستمرة، ثم، بمجرد إعادة الضبط، أعد وصل كل شحنة لضمان عدم استمرار المشكلة.
	مشكلة تغذية كهربائية للشاشة.	أوقف مفتاح التبديل الأوتوماتيكي تمامًا وانتظر بضع ثوان. قم بتوصيل مفتاح التبديل الأوتوماتيكي مرة أخرى، إذا استمرت المشكلة، اتصل بخدمة العملاء.
الشاشة مطفأة مع أنها مغذاة كهربائيًا.	مشكلة تغذية كهربائية للشاشة.	اتصل بخدمة العملاء

9. الخصائص الفنية

النموذج	ATS
المدخل	
جهد المدخل	VAC 240/230/220
نطاق الجهد المقبول	VAC 258 - 180
التردد	H 60 / Hz50
تيار المدخل الأعظمي	A16
المخرج	
جهد المخرج	VAC 240/230/220
تيار المخرج الأعظمي	10 أمبير لمقاييس IEC-C13 16 أمبير لمقاييس IEC-C19
الوصل	
المدخل	IEC-C20 x 2 في المدخل
المخرج	8 x IEC-C13 1 x IEC-C19
الاتصال	USB/RS-232
زمن النقل	12-9 دقيقة (زمن قياسي)، 16 دقيقة (زمن أعظمي)
الصفات الفيزيائية	
الأبعاد (mm) L X I X H	483 X 330 X 44
الوزن الصافي (كغ)	5.0
البيئة	
الرطوبة	0-95 % RH @ -5°C- 45°C (دون تكاثف)
المعايير	
المعيار	CE RoHS

القيم الافتراضية	الوصف	الوظيفة
V258 – V180	مصدر الطاقة ضمن نطاق الجهد هذا. A سيكون المصدر خارج هذا النطاق فإن A عندما يكون جهد المدخل للمصدر مفتاح التبديل الأوتوماتيكي سيتحول أوتوماتيكيا إلى المصدر B.	نطاق الجهد المقبول للمصدر A
الجهد المنخفض: V190 الجهد العالي: V248	عندما يعود جهد المدخل للمصدر A إلى الوضع الطبيعي، يعود مفتاح التبديل الأوتوماتيكي إلى المصدر A. (تكوين المصدر A كمصدر أولوي للطاقة و يُنَشَّط المصدر B)	العودة إلى جهد المصدر A
V258 – V180	سيكون المصدر A مصدر الطاقة خلال نطاق الجهد هذا. عندما يكون جهد المدخل للمصدر A خارج هذا النطاق، فسيتحول مفتاح التبديل الأوتوماتيكي أوتوماتيكيا إلى المصدر A.	نطاق الجهد المقبول للمصدر B
الجهد المنخفض: V190 الجهد العالي: V248	عندما يعود جهد المدخل للمصدر B إلى الوضع الطبيعي، يعود مفتاح التبديل الأوتوماتيكي إلى المصدر B. (تكوين المصدر B كمصدر أولوي للطاقة و يُنَشَّط المصدر A)	العودة إلى جهد المصدر B
H255 / H245	سيكون المصدر A هو مصدر التغذية ضمن نطاق التردد هذا. عندما يتجاوز تردد المدخل للمصدر A هذا النطاق، سيتحول مفتاح التبديل الأوتوماتيكي أوتوماتيكيا إلى المصدر B.	تردد الإدخال المقبول للمصدر A
H255 / H245	سيكون المصدر B هو مصدر التغذية ضمن نطاق التردد هذا. عندما يتجاوز تردد المدخل للمصدر B هذا النطاق، سيتحول مفتاح التبديل الأوتوماتيكي أوتوماتيكيا إلى المصدر A.	تردد الإدخال المقبول للمصدر B